

ROVERS NORTH

THE SPECIALISTS IN LAND ROVERS • USA

Land Rover Owner's Guide

1959-85 Series II, IIA, III &
1983-04 Defender 90, 110, 130



WWW.ROVERSOUTH.COM

Your Customer Speed Number

As the name suggests, the use of your "speed number" allows us to quickly draw up your name and address on our computers whenever you call. This means shorter phone calls and no confusion over whether you're John Smith of San Francisco or John Smith of San Juan. Take a minute to fill out the quick-reference chart below to make ordering the right parts for your Land Rover a breeze. *You'll find your six digit speed number above your name on all mailings and invoices.*

Land Rover #1:

Land Rover Model _____ Year _____

V.I.N. _____

Engine # _____

Transmission # _____

Distributor type _____

Oil filter part # _____

Modifications _____

Parts List: _____

Land Rover #2:

Land Rover Model _____ Year _____

V.I.N. _____

Engine # _____

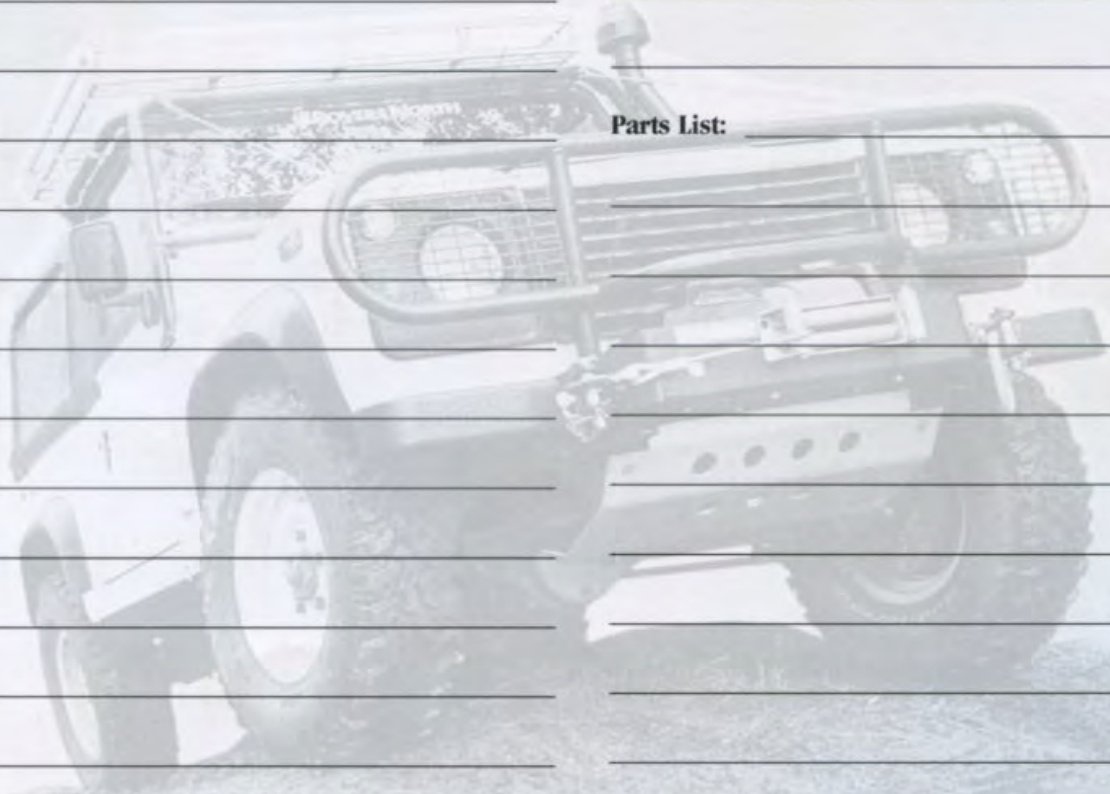
Transmission # _____

Distributor type _____

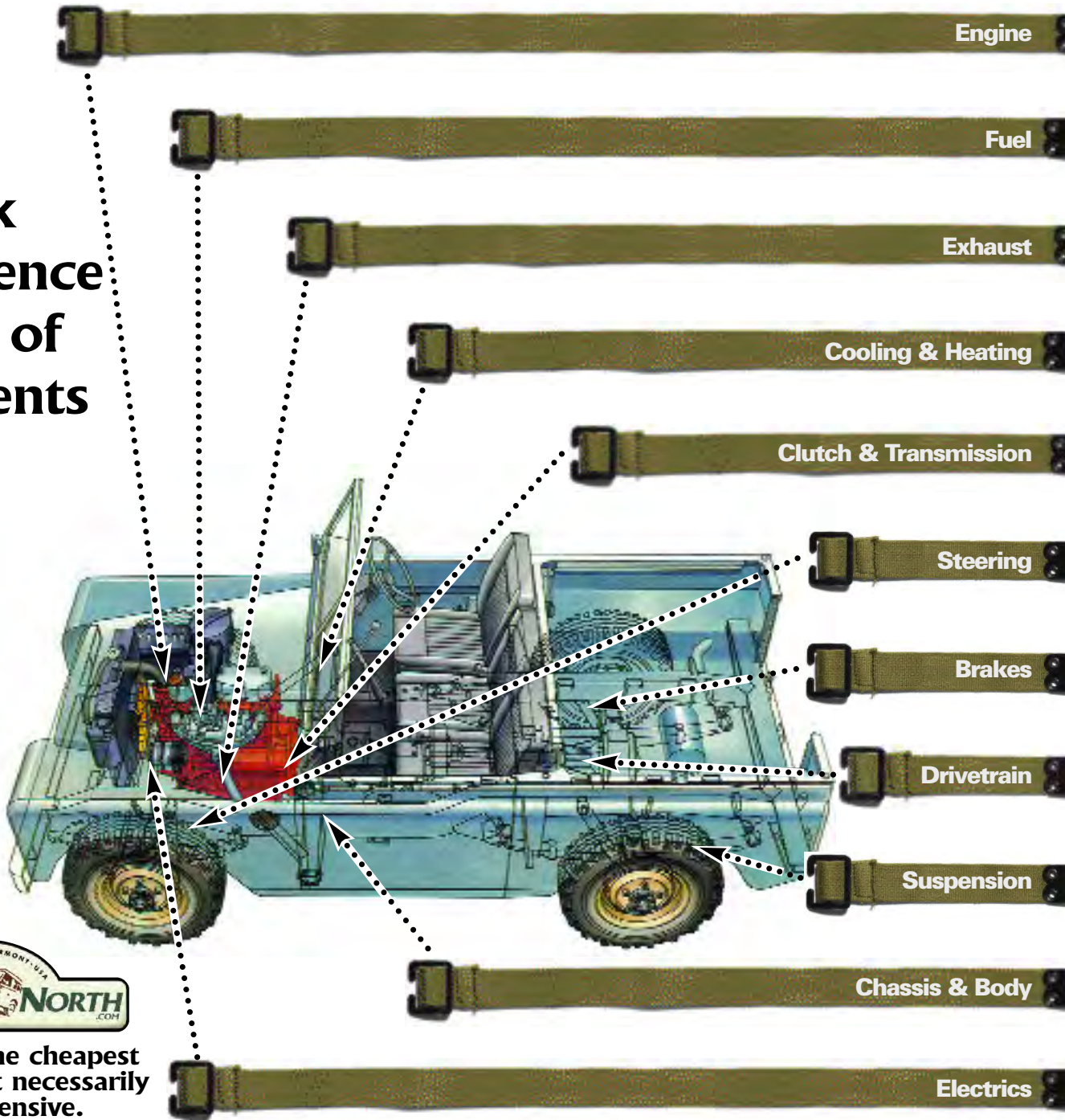
Oil filter part # _____

Modifications _____

Parts List: _____



Quick Reference Table of Contents



We believe the cheapest parts are not necessarily the least expensive.



Genuine Parts

The majority of the parts contained in this catalog are Land Rover Genuine Parts. Land Rover Genuine Parts are under constant development to improve performance and durability, bringing you the latest technology in parts for your Classic Series Land Rover and Defender. This means that, not only will a Genuine Part fit correctly, it will last the longest and in most cases last longer than the part it replaces. So, if you want to improve your Land Rover rather than just simply fix it, insist on only Genuine Land Rover Parts. Nothing fits like them, last like them, or is guaranteed like them.

ProLine

In cases where Land Rover no longer offers a Genuine Part, we have sourced our own high quality replacement parts. In addition, we are pleased to offer selected alternatives from original equipment manufacturers to provide you with a quality choice based on price.

Our goal is to offer our customers the most comprehensive parts and accessories selection in North America.

- Accessories
- Index

POA = Price on Availability



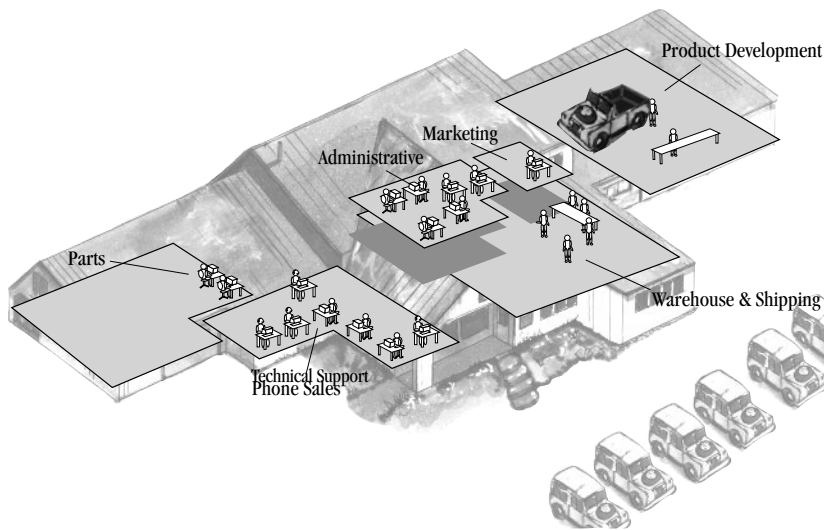
Let our experience add to your Land Rover experience. Look for our tech tip mechanic throughout our catalog in this space.



There's no Substitute for Experience!



Rovers North employees pictured (l to r): Thompson Smith, Rob Smith, Les Parker, Shane Westover, Matt Martin, Arthur Patsouris, Rick Speer, Steve Williams, Becky Piaseczny, Steve Haskell, Rachel Wright, Mike Koch, George Keener, Dirk Parkins, Randy Speer, Carma Stark, Stacey Bonk, Steve Nelson, Art Limacher, Andrea Letorney, Mark Letorney.



**Over 4,000 products in this catalog,
over 81,000 at roversnorth.com**

Serving North America - Our Specialist Staff Includes

Administrative:

Mark Letorney
Andrea Letorney
Stacey Bonk
Carma Stark
Rachel Wright

Graphics & Marketing:

Thompson Smith
Matt Martin
Becky Piaseczny

Parts:

Dirk Parkins
Steve Williams

**Phone Sales /
Technical Support:**

Les Parker
Arthur Patsouris
Steve Haskell
Mike Koch
Shane Westover
Rob Smith
George Keener
Greg Jutras

**Warehouse
& Shipping**

Steve Nelson
Randy Speer
Rex St. John
Marcus Tabor

Product Development:

Rick Speer

Prices in this catalog supercede all previously published prices. Prices and item availability are subject to change without notice. You will be informed of any product or price change at the time of placing your order. Our most current prices are listed on our website at www.roversnorth.com. Prices listed on our website supercede all published prices. For more information on the pricing of a product, visit us online at www.roversnorth.com or call us at 802-879-0032.

Rovers North Inc. is the authorized Land Rover Genuine Parts distributor for Series I, II, IIA, and III Land Rover products in the territories of the United States of America and Canada for Land Rover Exports Ltd, Solihull West Midlands England.

©Rovers North Inc. 2005 illustrations and part numbers ©Land Rover 2005 This publication, its text, illustrations and part numbers, may not, in whole or in part, be copied, reproduced, translated or converted to any electronic or machine readable form without prior written consent of Rovers North Inc.

ROVERS NORTH

1319 Vermont Route 128, Westford, Vermont, USA 05494

Fax: (802) 879-9152**Ph: (802) 879-0032****1-800-403-7591****www.roversnorth.com****Business Hours**

Monday - Friday 8:00am to 5:30pm (E.S.T)

Saturday 8:30am - 12:30pm

Sunday Closed

Payment

Charge to Visa, Master Card or Discover, C.O.D. or prepayment.

*Additional freight charges for truck delivery, please call.**Additional freight charges for UPS oversize package, please call.*treadlightly!
USE IT OR LOSE IT

Welcome to Rovers North

Our goal is to make caring for your Land Rover a pleasant experience. We are happy to share our expertise and to offer you quick professional parts support, whenever your Land Rover needs arise.

Your satisfaction is important to us. We value your business and will make every effort to make you feel completely satisfied when dealing with us. We take great pride in our extensive on-hand inventory. Rovers North only offers the highest quality parts and accessories, both Land Rover Genuine Parts, and ProLine, our own hand selected line of alternative Land Rover parts.

So, if you own a Land Rover or Defender, and are considering doing more of your own maintenance, or you deal with an independent work shop, get to know this parts guide. It will help you understand all the related parts needed for service requirements. Plus it is available to you online at roversnorth.com for our 24 hour ordering. We trust you will find our catalog, website and most of all, our staff very helpful when it comes to getting the most in parts support for your Land Rover.

Thank you for choosing
Rovers North,

Andrea and Mark Letorney

Our Product Guarantee

All parts and accessories sold by Rovers North are guaranteed to be free from defects for 12 months, unlimited mileage to the original purchaser. This is the best parts guarantee in the Land Rover Parts business - period. As a result, this leads to all kinds of abuse so, please read carefully. Should you suspect a defective part, please return the part with a properly filled out return and exchange form, a copy of the invoice and an explanation of the problem. **WE WILL NOT ACCEPT YOUR RETURN WITHOUT THIS INFORMATION.** If the part(s) is defective upon inspection, we will promptly send you a replacement at no charge. Please understand that this guarantee is limited to the part we sold you and does not cover any labor or other parts associated with the defective part - no exceptions. Should you or Rovers North make a mistake and you receive the wrong part, please call us immediately so we can send you the correct part as soon as possible. If it is our mistake, we will pay the additional shipping.

Our Return Policy

A parts return and exchange form is included with each Rovers North invoice. To return a part to Rovers North, you must fill out the return and exchange form and include a copy of the invoice with the parts you are returning. **WE WILL NOT ACCEPT YOUR RETURN WITHOUT THIS INFORMATION.** Any part can be returned to Rovers North for any reason without prior authorization up to 30 days after an order is received, with no restocking fee, except Special Order Parts* ordered per customer request. Parts returned after 30 days are subject to a 20% restocking fee - no exceptions. *Special Order Parts are non-returnable unless defective. Depending on the item, a 50% deposit may be required when ordering.

How To Order

By website, telephone, or fax, we will process our order as soon as we receive it. All orders received before 3:00 pm EST are shipped the same day. When calling Rovers North, we have an 800 number and an 802 number. The 800 number is for ordering parts, and this includes all our professional advice to go with it. Our 802 number is for when you are in the thick of it, and you need professional advice on how to diagnose or repair something in detail.

When you call please have your VIN (vehicle identification number) on hand. We will make every effort to supply you with correct parts, so please take a moment and fill out the inside front cover, so you always have your Land Rover details on hand.

Special order parts are always welcome. First time customers will require a deposit. We offer expedited air service or economical ocean freight.

Any and all parts offered by Land Rover are available through Rovers North. We make Land Rover ownership affordable with the best prices, quick service, and our unsurpassed 12 month unlimited mileage guarantee. So give us a call, and buy with confidence. We are here to help you.

Payment

For customers in the United States and Canada we accept Visa, MasterCard, Discover, C.O.D. or prepayment. All payments must be in U.S. dollars. For shipments outside the United States and Canada prepayment is required.

Shipping Information

Orders for in-stock items taken by 3:00 pm EST are shipped the same day. After this time, your order will be shipped the next business day. We ship U.P.S. unless you prefer another method. U.P.S. offers regular ground, 3 day select, 2nd day air and next day air for overnight delivery. Larger items will be shipped via truck. For orders from outside the U.S. and Canada please contact us for the best shipping method. We will make every effort to pick, pack, and ship your order as economically as possible.

Damaged Shipping

It is important to inspect your package immediately upon receiving it. Should you receive a damaged package, a claim must be submitted immediately with the carrier. Do not send the package back to Rovers North. If you are unable to contact the carrier please call us, and we will contact the carrier on your behalf.



By Series

Land Rover began in 1947 with the Series I and continued until 1985 manufacturing the Series III model. This identification was initiated by Land Rover as a means of identifying major design changes in production. They did not intend to change them on an annual basis. The designers felt that they had this "agricultural workhorse" so right from the start, that annual cosmetic styling would only detract from its functional applications.

By Wheelbase

Land Rover wheel base is measured from the hub center of the front wheel to the hub center of the rear. (example: model 88 is 88" from hub center to hub center). The exception being the 90 which is actually 92.9" wheel base.

Birth of a Legend

The prototype Land Rover built September 1947 featured a center steering wheel, negating the need to build RHD and LHD models. The vehicle was essentially a U.S. built Jeep with a Rover designed aluminum skinned body. Rover car engine and main gearbox. It was scrapped in the spring of 1948. 1948 pre-production Land Rovers were built in the first half of 1948. As the last of the pilot built vehicles were being finished, production vehicles were already coming off an adjacent assembly line.

Series I - 1948 into 1958. First production Land Rovers were 1.6 litre petrol 80" wheel base. 1952 engine displacement was increased to 2.0 litres. 1954 the wheel base was lengthened to 86 inches and the first long wheel base 107" pickup was introduced. 1956 86" and 107" were lengthened to 88" and 109" and the 2.0 litre diesel became available as an option.

Series II - 1958 thru 1960. All new body designed by Rover's styling department. A more powerful 2.25 litre petrol engine is introduced for improved performance. Available in 88" and 109" wheel base and a broader range of colours.

Series IIA - 1961 into 1971. 88" and 109" wheel base. 1962 2.25 diesel and the Forward Control model introduced. Positive earth electrics until 1967. Fall of 1967, Land Rover introduces the 2.6 litre, 6 cylinder station wagon and Ser. IIB 110 forward control. Land Rovers are now in negative earth with single wiper motor mounted in dash. 1968 air portable 88" for military purposes is developed. 1969, headlights are moved from the center radiator grille to the side wings. 1971, Forward Control production ended.

Series III - Fall of 1971 to 1984. Revised fascia with black plastic safety dash. Instruments moved in front of driver, fully synchronized gearbox, and plastic radiator grille. 1972 Land Rover introduces its V8 powered 101" Forward Control. In 1979 Land Rover introduces its V8 109" Regular and 109" Station Wagon models. In 1982 Land Rover introduces its 109" High Capacity Pickup.

110 - 1983 to present. All new coil spring suspension with full time 4WD from the Range Rover design is incorporated into the 109 body styles. Available in a 2.5 petrol, 2.5 diesel, V8 petrol carburetted or fuel injected and a 200Tdi turbo diesel. 5 speed manual gearbox is standard. First imported to the USA for the 1993 model year. 1994, improved 300 TDI diesel becomes standard engine with only the V8 offered as optional.

90 - 1984 to present. A smaller version of the 110 with a 93" wheelbase, it replaced the series III 88" lineup. Shares the same engine and gearbox options as the 110.

130 - Introduced in 1985. A 127" wheelbase version of the 110. Aimed at the commercial market it is ideally suited for special body conversions. Also offered in six wheel drive. After manufacture most 130s are finished at Land Rover's Special Vehicle Operations facility at Solihull. Here 130s are completed to the customer's own design and specification.

Rovers North stocks parts for 80", 86", 88", 90", 101", 107", 109", 110" & 130" Land Rovers.

1) Series I, 80" 1948-1953

May 1950, headlamps protrude through grille. Mid 1951, inverted "T" grille (as Series II's). Side lights move from bulkhead to wings. Pre mid 1951 models for U.S. market had bulkhead lights relocated to wings to comply with lighting regulations. 1949-1951 Tickford Coachbuilders produced 650 Station Wagons.

2) Series I, 86" 1953-1957, Station Wagon

A redesigned vehicle with increased load space. Wheel base lengthened to 88" 1957-1958 to accommodate new engine.

3) Series I, 107" 1953-1957, Pick-up with 3/4 canvas

Same design as basic 80" with much larger load space. Wheel base lengthened to 109" 1957-1958 to accommodate new engine.

4) Series I, 107" 1956-1958, Station Wagon

Redesigned rear body with doors and seating for additional passengers.

5) Series II, 88" 1958-1961, Hard Top

New body style, includes sill panels to conceal chassis, fuel tank exhaust pipe. Available as pick-up, soft top and station wagon.

6) Series II 88" 1958-61 Station Wagon

Station Wagon had a full hard top with tropical roof, sliding windows, fresh air vents and alpine windows. Rear door and full interior trim with seating for 7 people.

7) Series IIA, 109", 1961-1971, Pick-up with 3/4 canvas

The "regular" or "two door" 109" was available in North America in Series II and IIA from 1958 to 1966. Petrol or diesel engine.

8) Series IIA, 109", 1961-1971 Station Wagon

Originally a 10 seater it was "re-launched" as a 12 seater to "get around" British tax laws. 2.6 litre 6 cylinder petrol engine was introduced in 1967. The 109" SW was available in North America in Series II and IIA form from 1958-1967.

9) Series IIA, 88" 1961-1971, Military Soft Top

Designated "1/4 ton" in British military service. Available as a "general service" vehicle with 12v electrics or a "fitted for radio" vehicle with 24v electrics.

10) Series IIA, 109", 1961-1971 Military Ambulance

Custom built rear body built by Marshals of Cambridge. In addition to regular military specs. These vehicles had front and rear sway bars.

11) Series IIA, 109" "Dormobile" Conversion

Molded fiberglass, side hinged roof section, opens for added head room and loft sleeping space. Interior fitted with special seats, sink, cabinets and stove. Some vehicles had side lights mounted atop wings so that fuel and water cans could be carried atop the front bumper.

12) Series IIA, 109", "Carawagon" Conversion

Competitor to the Dormobile, this camper conversion uses wood to extend the standard roof, usually fitted to a regular 109".

13) Forward Control Ser. IIA, IIB 1961-1970

Utilized many of the same mechanical components, like engines, as normal Land Rovers. Massive 5'4" x 10'5" load bed was rated for a 3,380 lb. load. Ideal for special purpose platforms, many were fitted with hinged drop sides and tailgate. Removable corner posts allowed it to convert to a flatbed in minutes.

14) Series IIA 88" 1969 "Bugeye"

Lighting regulation in Australia required moving the headlamps from the radiator panel to the wings. Land Rover had not yet designed a proper panel to accept the lights. So they sat on the surface. This interim model, between the so-called "early" IIA and "late" IIA is commonly referred to as the "Bugeye".

15) Late Series IIA, 88", Fall 1969-1971, Soft Top

New front wing panels with recessed headlamp. Available as hard top, station wagon and pick-up model. 21/4 litre petrol or diesel engine. Sill panels narrowed from 5" to 3".

16) Series III, 88", Fall 1971-1985 Pick-up with 3/4 canvas

Plastic radiator grille replaces wire mesh type. Revised instrumentation - moved from central position to in front of driver with plastic dash. Available in U.S.A. as hard top seven seater through 1974.

17) Series III, 109", Fall 1971-1985 Station Wagon

Produced in 10 and 12 passenger configuration. 21/4 petrol, 21/4 diesel and 2.6 petrol engines. V8 available in 1980. Tropical roof with air vents.

18) Series III, 109", 1971-1985 3/4 Ton Regular

Military Soft Top Reinforced body and chassis with two inch suspension extension. Standard equipment included oil cooler, twin fuel tanks, military waterproof lighting system, front and rear bumperettes with lifting rings. Available in 12v GS (general service) and 24v FFR (fitted for radio).

19) Series III 88" 1971-1985 Military Lightweight.

Series IIA version 1968-1971. The early IIA Lightweights had their F.V. headlamps mounted on the radiator panel. Late IIA and III models had theirs on the wings. Designated "1/2 ton", it was designed to be air lifted by helicopter. The standard 1/4 ton was too heavy, the Lightweight heavier still, but it could be rapidly stripped of necessary panels to bring it within the helicopter's lifting capabilities.

20) Military 101" Forward Control 1974-1978

Designated "1 Ton" by British Military. Powered by a 3.5 litre V8, minimal front and rear overhang made it Solihull's most capable performer off road. Designed as a gun-tractor for the new British 105mm light gun which weighed 750 lbs more than the 105mm Pack Howitzer towed by the "3/4 ton" 109". Also available in hard top and Ambulance versions.

21) Series III, 109", High Capacity Pick-Up (H.C.P.U.)

1981-1983. Redesigned rear body for carrying loads of greater volume wider and longer load areas is separated from cab. Incorporates a full width tailgate. Replaced in late '83 by the 110" H.C.P.U.

22) Series III, 109", Stage One V8, Station Wagon 1979-1985

So named as they were "Stage 1" of a major investment scheme in 1978. 3.5 litre V8, using Range Rover gearbox and permanent 4WD. Radiator grille moved forward and new bonnet fitted to accommodate larger drive train. Available in all 109" body styles.

23) 110 Station Wagon 1983-Present

Introduction of coil spring suspension as used in the Range Rover. Styling changes include one piece windscreen with new roof design and wheel arches added to the wings to accommodate wider track.

24) 90 Station Wagon 1984-Present

Uses same engine and transmission as the 110. 92.9" inch wheel base.

25) 130, Crew Cab, High Capacity Pick-up 1991 to Present

Introduced in 1985. A 127" wheel base version of the 110". Aimed at commercial markets, it is ideally suited for special body conversions. Also offered in six wheel drive. After manufacturer most 130's are finished at Land Rover's Special Vehicle Operations facility at Solihull. Here 130's are completed to the owners custom design and specification.

26) 110 Station Wagon U.S.A. Model 1993

Limited edition. 500 vehicles sold in the United States. Featured a 3.9 litre V8 with a 5 speed gearbox and permanently mounted external rollcage.

27) 90 Soft Top U.S.A. Model 1994-1997

3.9 litre with 5 speed or 4.0 litre with automatic gearbox.

28) 90 Station Wagon U.S.A. Model 1995 and 1997

'95 Limited edition of 500. 1997 4.0 litre with automatic gear box.



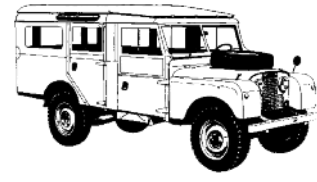
1) Series I, 80" Soft Top



2) Series I, 86" Station Wagon



3) Series I, 107" Pick-up



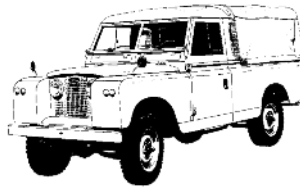
4) Series I, 107" Station Wagon



5) Series II, 88" Hardtop



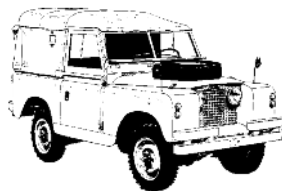
6) Series II, 88" Station Wagon



7) Series IIA, 109" Pick-up 3/4 canvas



8) Series IIA, 109" Station Wagon



9) Series IIA, 88" Military Soft Top



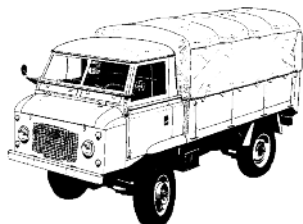
10) Series IIA, 109" Military Ambulance



11) Series IIA, 109" Dormobile



12) Series IIA, 109" Carawagon



13) Series IIA, IIB, Forward Control



14) Series IIA, 88" "Bugeye"



15) Late Series IIA, 88" Soft Top



16) Series III 88" Pick-up with 3/4 Canvas



17) Series III 109" Station Wagon



18) Series III, 109" Military G.S.



19) Series III, 88" 1/2 ton Lightweight



20) 101", 1 Ton Forward Control



21) Series III, H.C.P.U. High Capacity Pick-up



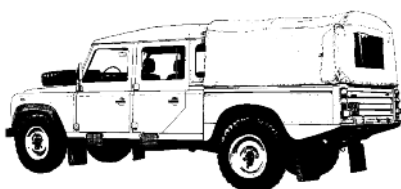
22) Series III, Stage One V8 Station Wagon



23) 110, Station Wagon



24) 90, Station Wagon



25) 130, Crew Cab / H.C.P.U. High Capacity Pick-up



26) 110 Station Wagon, NAS North American Specification



27) 90 Soft Top, NAS North American Specification



28) 90 Station Wagon, NAS North American Specification

Illustrations by Myles J. Murphy

Fax: (802) 879-9152



Orders: (802) 879-0032



DIMENSIONS AND WEIGHTS	88 Basic		109 Regular		109 Station Wagon		90 Soft Top		110 Station Wagon	
	British	Metric	British	Metric	British	Metric	British	Metric	British	Metric
Overall length	142.375"	3,62m	175"	4,44m	175"	4,44m	163"	3,884m	181"	4,599m
Overall width	66"	1,68m	66"	1,68m	66"	1,68m	70.5"	1,79m	70.5"	1,79m
Overall unladen height, hard top	77.5"	1,97m	81"	2,06m	-	-	78"	1,981m	82"	2,083m
Overall unladen height, hood down, screen up	68"	1,73m	-	-	-	-	-	-	-	-
Wheelbase	88"	2,23m	109"	2,77m	109"	2,77m	92.9"	2,360m	110"	2,794m
Track	51.5"	1,31m	51.5"	1,31m	51.5"	1,31m	58.5"	1,486m	58.5"	1,486
Turning circle	38'	11,6m	47"	14,3m	47"	14,3m	40.4"	12,3m	42"	12,8m
Unladen ground clearance under differentials, 6.00 x 16 tires	8"	203mm	-	-	-	-	-	-	-	-
Unladen ground clearance under differentials, 7.00 x 16 tires	8.75"	222mm	-	-	-	-	-	-	-	-
Unladen ground clearance under differentials, 7.50 x 16 tires	9.75"	248mm	9.75"	248m	9.75"	248m	9.75"	248m	9.75"	248m
Weight, running, with water, oil, 5 gallons fuel:										
Petrol models	2,953 lb	1,339 kg	3,301 lb	1,497 kg	3,752 lb	1,701 kg	3,560 lb	1,614.8 kg	4,848 lb	2,200 kg
Diesel models	3,097 lb	1,404 kg	3,471 lb	1,574 kg	3,922 lb	1,778 kg	-	-	-	-
Maximum approved payload, normal roads	1,410 lb	639 kg	2,263 lb	1,026 kg	1,835 lb	832 kg	2,435 lb	1,107 kg	2,371 lb	1,078 kg
Maximum drawbar pull - on road trailer w/brakes										
Petrol models	3,920 lb	1,775 kg	3,920 lb	1,775 kg	3,500 lb	1,600 kg	5,000 lb	2,275 kg	5,000 lb	2,275 kg
Diesel models	3,300 lb	1,497 kg	3,330 lb	1,497 kg	2,900 lb	1,315 kg	-	-	-	-
Internal body dimensions										
length (between cappings)	43"	1,09 m	72.75"	1,85 m	-	-	45"	1,144 m	-	-
width (between cappings)	56.8"	1,44m	56.8"	1,44 m	-	-	56.8"	144m	56.8"	144m
depth	19.5"	495m	19"	483 m	-	-	19.7"	500m	-	-
height of wheel arch	8.5"	216m	9"	219 m	-	-	9.2"	220m	9.2"	220m
width of floor (between wheel arch)	36.25"	921m	36.25"	921m	-	-	36.4"	925m	36.4"	925m
height, floor to roof (maximum)	48.5"	1,23m	48.5"	1,23m	-	-	47.4"	1,205m	46.3"	1,175m

CAPACITIES	U.S. Unit	Liters	Type	CAPACITIES	U.S. Unit	Liters	Type
Engine oil w/filter, 4-cylinder	7.1 quarts	6.66	10w/40	Swivel pin housing oil (each)	1.2 pints	0,5	80w/90
Engine oil w/filter, 6-cylinder	6.5 quarts	6.1	10w/40	Swivel pin housing grease type	-	3.75 ml	
Engine oil w/filter, 8-cylinder	7.1 quarts	6.66	10w/40	Steering box, 4 + 6 cylinder	1 pint	0.5	80w/90
Air cleaner, 4-cylinder	1.8 pints	0.85	20/w	Power steering, 8 cylinder	3 quarts	2.9	Dextron IID
Main gearbox oil 4 + 6-cylinder	3 pints	1.5	80w/90	Fuel tank, except 109 Station Wagon	12 gallons	45	
Main gearbox 8-cylinder LT77S	2.3 quarts	2.2	Dextron IID	Fuel tank, 109 Station Wagon	19 gallons	73	
Main gearbox 8-cylinder R380	2.8 quarts	2.7	Texaco MTF94	Fuel tank, Defender 90	15.6 gallons	59	
Main gearbox 8-cylinder ZFauto	10 quarts	9.1	Dextron IID	Fuel tank, Defender 110	20.4 gallons	77.2	
Transfer box oil 4+ 6-cylinder	5.5 pints	2.5	80w/90	Cooling system, 4+ 6 cylinder	11 quarts	10.4	50/50
Transfer box 8-cylinder LT230	2.4 quarts	2.3	80w/90	Cooling system, 8 cylinder	13.6 quarts	12.8	Ethylene-Glycol/water mix
Rear differential } Rover type	1.8 quarts	1.75	80w/90				
Front differential }	1.8 quarts	1.75	80w/90				
Rear differential } ENV type	2.5 pints	1.2	80w/90				
Front differential }	3.1 pints	1.4	80w/90	Hydraulic front winch, supply tank	7.5 gallons	20	#68 Hydraulic
Rear differential Salisbury type	2 quarts	1.9	80w/90	Hydraulic front winch, gearbox	2.4 pints	1	#68 Hydraulic

Your Land Rover's Specification Notes:

Engine Specifications

2.25 LITRE PETROL

Capacity (piston displacement)	2286 cc (139.5 cu in.)
Number of cylinders	4
Bore	3.562 in. (90.47 mm)
Stroke	3.5 in. (88.8 mm)
Compression ratio	7:1 or 8:1
BHP at 4,250 rpm	77 or 81
Maximum torque	7:1 124 lb.ft. (17 mkg) at 2,500 rpm
Firing order	1—3—4—2
Piston speed at 4,280 rpm	2,500 ft./min. (12.6 m./sec)
Compression pressure (at starter motor cranking speed, with engine hot)	
7:1	145 lb./sq. in. (10.2 kg/cm ²)
8:1	160-170 lb./sq. in. (11.2-11.9 kg/cm ²)
Oil pressure, engine warm	
2,000 rpm	45 to 65 lb./sq. in. (3.16 to 4.57 kg/cm ²)

2.25 LITRE DIESEL

Capacity (piston displacement)	2286 cc (139.5 cu. in.)
Number of cylinders	4
Bore	3.562 in. (90.49 mm)
Stroke	3.5 in. (88.9 mm)
Compression ratio	23 to 1
BHP	62 at 4,000 rpm
Maximum torque	103 lb. ft. (14,00 mkg) at 1,750 rpm
Firing order	1—3—4—2
Piston speed at 4,000 rpm	2,333 ft./min.
Oil pressure, engine warm	
At 2,000 rpm	45 to 65 lb sq. in. (3.16 to 4.56 kg/cm ²)

2.6 LITRE PETROL

Capacity (piston displacement)	2625 cc (160.3 cu. in.)
Number of cylinders	6
Bore	3.063 in. (77.8 mm)
Stroke	3.625 in. (92.075 mm)
Compression ratio	7:1 or 7.8:1
BHP at 4,500 rpm	90 or 95
Maximum torque	7:1 132 lb ft. (18 mkg)at 1,500 rpm 7.8:1 134 lb ft. (18,5 mkg) at 1,750 rpm
Firing order	1—5—3—6—2—4
Piston speed at 4,500 rpm	2,719 ft./min (826 m/min)
Compression pressure (at starter motor cranking speed, with engine hot)	
7:1	140 lb sq. in. (9.84 kg cm ²)
7.8:1	170 to 175 lb sq. in. (11.95 to 12.3 kg cm ²)
Oil pressure, engine warm	30-45 PSI

3.9 LITRE PETROL V8

Number of cylinders	Eight, two banks of four
Bore	93.98 mm (3.700 in)
Stroke	71.12 mm (2.800 in)
Capacity	3,947 cc (241 cu in)
Valve operation	Overhead by push-rod
Maximum power — B.H.P.	182 at 4,750 rpm
Maximum torque	232 lb. ft. at 3100 rpm
Firing order	1—8—4—3—6—5—7—2
Piston speed at 4,500 rpm	2,719 ft/min (826 m/min)
Compression pressure (at starter motor cranking speed, with engine hot)	
9.35:1	135 lb/sq.in
Oil pressure, engine warm	30-45 PSI

4.0 LITRE PETROL V8

Number of cylinders	Eight, two banks of four
Bore	94.0 mm (3.700 in)
Stroke	71.0 mm (2.913 in)
Capacity	3,947 cc (241 cu in)
Valve operation	Overhead by push-rod
Maximum power — B.H.P.	182 at 4,750 rpm
Maximum torque	233 lb. ft. at 3000 rpm
Firing order	1—8—4—3—6—5—7—2
Piston speed at 4,500 rpm	2,719 ft/min (826 m/min)
Compression pressure (at starter motor cranking speed, with engine hot)	
9.35:1	135 lb/sq.in
Oil pressure, engine warm	30-45 PSI

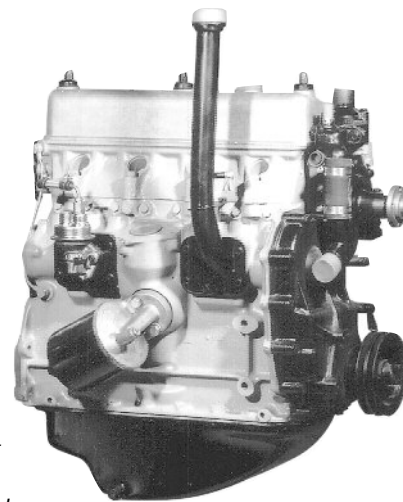
Rebuilt 2.25 Petrol Engine Long Block

RNE569 \$ 4495.00

Increase your Land Rover's performance without the expense and reliability problems of an engine conversion. This performance Land Rover engine is designed to run unleaded fuel and deliver 15% more horsepower. Sold as a base engine with fuel pump, water pump and oil filter assemblies.

Designed for unleaded fuel with 8:1 compression ratio. It will bolt right into any 4 cylinder Ser. II, IIA, or III Land Rover.

**Core charge for cylinder head only \$ 100.00*

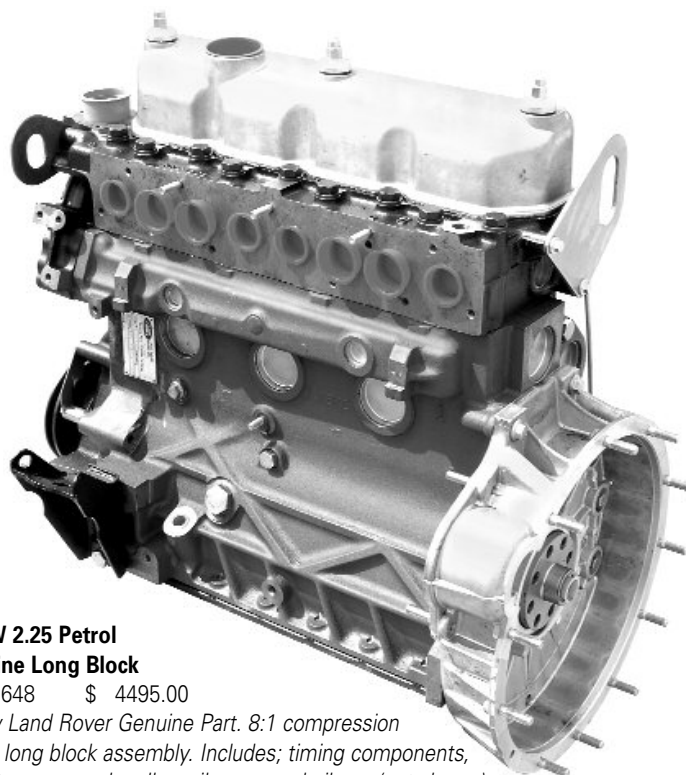
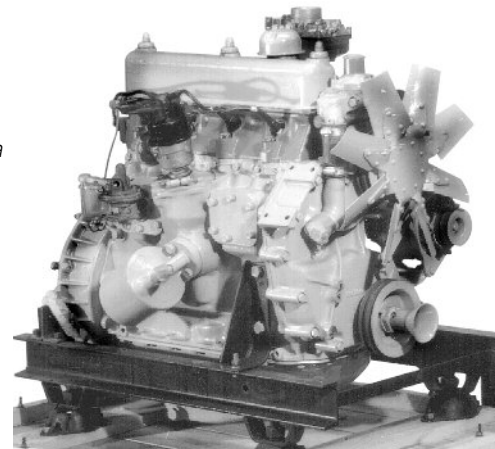


Rebuilt 2.25 Petrol Engine Complete

RNE568 \$ 4495.00

A complete solution to a tired engine. Ready to run. These engines are so complete with ancillaries they even include fan belt and fuel line. Designed for unleaded fuel, with performance 8:1 cylinder head.

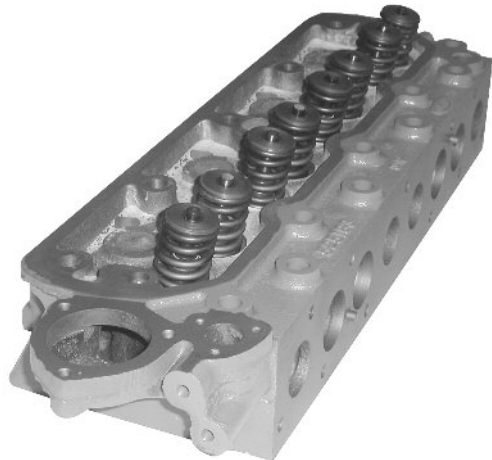
**Core charge for cylinder head only \$ 100.00*



NEW 2.25 Petrol Engine Long Block

RNH648 \$ 4495.00

New Land Rover Genuine Part. 8:1 compression ratio long block assembly. Includes; timing components, front cover, crank pulley, oil pump and oil pan (not shown).



Cylinder Head Assembly Reconditioned

Completely assembled ready to bolt on includes: all new valves, guides, stellite valve seats, oil seals, springs, etc. Petrol head is designed for unleaded fuel, 8:1 compression ratio. \$100 Core Charge.*

RNC963	2.25 Petrol 8:1	\$ 722.95
	Core.....	\$ 100.00
RNC612	2.25 Diesel	\$ 879.00
	Core.....	\$ 250.00

Engine Valve

RNC973	2.25 Litre PetrolIntake	\$ 5.59
RNC974	2.25 Litre PetrolExhaust	\$ 12.95
RNC972	2.25 Litre DieselIntake	\$ 8.49
RNF295	2.25 Litre DieselExhaust	\$ 32.95
RNC236	2.6 Litre PetrolIntake	\$ 20.79
RNF294	2.6 Litre PetrolExhaust	\$ 24.95
RNM022	3.9, 4.0 PetrolIntake	\$ 15.99
RNM027	3.9, 4.0 PetrolExhaust	\$ 41.95

Valve Guides

RNC442	2.25 Litre Petrol Intake	\$ 15.97
RNC443	2.25 Litre PetrolExhaust	\$ 10.94
RNC444	2.25 Litre DieselIntake	\$ 16.95
RNF267	2.25 Litre DieselExhaust	\$ 24.95
RNE238	3.9 Litre Petrol	Intake & Exhaust	\$ 7.37

Valve Seats

RNE145	2.25 Litre PetrolExhaust	\$ 37.95
RNM028	3.9, 4.0Intake Std.	\$ 12.95
RNM117	3.9, 4.0Exhaust Std.	\$ 44.95
RNC956	3.9 Litre PetrolIntake .010	\$ 81.95
RNC955	3.9 Litre PetrolExhaust .010	\$ 67.95

Seals for Valve Guides

2.25 Litre Petrol & Diesel

RNB560	Early "O"-Ring type thru '67Intake	\$ 0.78
RNA989	Early "O"-Ring type thru '67Exhaust	\$ 0.79
RNC985	Umbrella Type 1968 onIntake	\$ 2.98
RNE137	Umbrella Type 1968 onExhaust	\$ 3.69
RNC988	3.9, 4.0 Litre PetrolIntake	\$ 1.95

Valve Springs

RNC995	2.25 Petrol and Diesel	\$ 2.79
RNM069	3.9, 4.0 Petrol	\$ 5.29

Valve Spring Collar

RNB612	2.25 Petrol and Diesel	\$ 4.12
RNM069	3.9, 4.0 Petrol	\$ 5.29

Retainer Halves for Valve Collar (2 required per valve)

RNB613	2.25 Petrol and Diesel ea.	\$ 4.15
RNM044	3.9, 4.0 Petrol	\$ 4.36

Push Rods

RNC341	2.25 Petrol	\$ 6.98
RNC342	2.25 Diesel	\$ 7.95
RNV005	3.9, 4.0 Petrol	\$ 7.99

Tappet Assembly

(includes tappet, tappet guide and roller)

RNC182	2.25 Petrol and Diesel, 8 required. ea.	\$ 37.95
RNM041	3.9 Petrol, 16 required. ea.	\$ 16.95

Tappet Adjustment Screw

RNC177	2.25 Petrol and Diesel	\$ 5.89
RNE452	Lock Nut for Adjustment Screw	\$ 2.79

Rocker Shaft Assembly

RNC654	3.0, 4.0 Petrol	\$ 169.95
--------	-----------------	-------	-----------

Rocker Shaft

RNC967	2.25 Petrol and Diesel, Genuine	\$ 156.95
PLC967	2.25 Petrol and Diesel, ProLine	\$ 36.95
RNV017	3.9, 4.0 Petrol	\$ 219.95

Rocker Arm Bush

RNB563	2.25 Petrol	\$ 8.49
RNB569	2.25 DieselIntake	\$ 5.95
RNB570	2.25 DieselExhaust	\$ 4.95

Camshaft

RNB568	2.25 Petrol	\$ 199.95
RNB635	2.25 Diesel	\$ 549.95
RNM143	3.9 Petrol	\$ 299.00
RNM145	4.0 Petrol	\$ 304.95

Camshaft Bearing Set

RNC746	2.25 Petrol and Diesel	\$ 61.39
RNF208	3.9 Petrol	\$ 154.96
RNF317	4.0 Petrol	\$ 78.00

Vertical Drive Gear for Camshaft

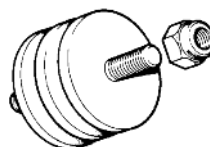
This gear drives the distributor and oil pump in 2.25 litre engines.

Comes complete with bushing and circlip:

RNE144	2.25 Petrol and Diesel	\$ 154.96
RNC235	Locating Screw for Gear	\$ 4.74

Engine Mounts

(supplied with locknuts)



RNE4022.25 Petrol	\$ 9.88
RNE4002.25 Diesel	\$ 15.95
RNE4022.6 Petrol	\$ 9.88
RNF3453.9 Petrol	\$ 36.95
RNM804Tdi 200	\$ 19.95
RNM805Tdi 300	\$ 58.95
RNE236	4.0 Petrol	\$ 21.89

Lock Nut for Engine Mount

RNE229	4.0 Petrol, 300 Tdi 12M Nut	\$ 2.74
RNE158	3.9, Tdi Nut 10M	\$ 1.19
RND165	2.25, 2.6 3/8" BSF Nut	\$ 0.70

*Core charge on reconditioned components is refunded when the worn rebuildable component is returned.

How many main bearings?

2.25 petrol components listed are for three main bearing engines. Please inquire for five main bearing engines. All petrol engine components are designed for burning unleaded fuel.



Crankshaft

RNC246	2.25 Petrol and Diesel (3 main bearing).....	\$ 999.00
RNC247	2.25 Petrol Reconditioned	\$ 239.00
RNM056	3.9 Crankshaft.....	\$1085.00
RNM112	Woodruff Key.....	\$ 8.79
RNM122	4.0 Crankshaft.....	\$ 424.95
RNM112	Woodruff Key.....	\$ 8.79

Crankshaft Oil Seals

RNM042	2.25 Petrol and DieselFront.....	\$ 9.95
RNC322	2.25 Petrol and DieselRear.....	\$ 13.00
RNC743	2.6 PetrolFront.....	\$ 5.75
RNC322	2.6 PetrolRear.....	\$ 13.00
RNM042	3.9, 4.0 Petrol.....Front.....	\$ 9.95
RNM125	3.9, 4.0 Petrol.....Rear.....	\$ 15.54

Retainer Half Rear Crank Seal Kit

RNC323	2.25 P & D, sold in pairs with rear seal	\$ 83.00
--------	--	----------

Crankshaft Pulleys

2.25 Petrol & Diesel Series II, IIA, III

RNC965	Single Pulley – Standard Equipment	\$ 173.68
RNC964	Double Pulley – Military & Optional.....	\$ 281.95



Woodruff Key

RNA996	2.25 Litre	\$ 2.74
--------	------------------	---------

Stainless Steel Repair Sleeve

RNB031	for crank pulley	\$ 40.59
--------	------------------------	----------

Flywheel Bush

RNC714	2.25 Petrol & Diesel	\$ 3.45
RNC714	2.6 Petrol	\$ 3.45
RNC351	3.9, 4.0	\$ 4.59



Starter Dog

(secures the front pulley to crankshaft, facilitates starting handle for manual cranking)

RNC163	2.25 Petrol & Diesel	\$ 93.49
RNC336	2.6 Petrol	POA
RNB571	Locker for 2.25, 2.6 Starter Dog	\$ 6.95



Timing Pointer

RNC9662.25 Petrol.....	\$ 5.75
RNC4232.6 Petrol.....	\$ 2.60
RNE1483.9 Petrol.....	\$ 2.81

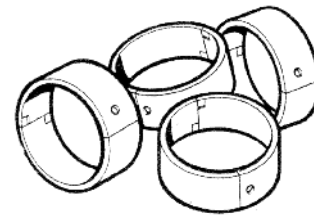


Main Bearing Set

RNE544	2.25 Litre Petrol and Diesel..... STD	\$ 92.59
RNE545	.010	\$ 65.95
RNE546	.020	\$ 82.19
RNE538	2.6 Litre Petrol, IIA..... STD	\$ 184.95
RNE539	.010	POA
RNE540	.020	\$ 93.95
RNM050	3.9 Litre Petrol..(up to Engine# 35D08966B)....	\$ 108.24
RNM051	.010.....(up to Engine# 35D08966B)....	\$ 161.74
RNM052	.020.....(up to Engine# 35D08966B)....	\$ 259.00
RNM138	4.0 Litre Petrol	\$ 69.95

Rod Bearing Set

RNE547	2.25 Litre Petrol and Diesel..... STD	\$ 69.95
RNE548	.010	\$ 63.29
RNE549	.020	\$ 63.59
RNE541	2.6 Litre Petrol Series IIA..... STD	POA
RNE542	.010	\$ 89.00
RNE543	.020	\$ 156.00



Rod Bearing Set, con't

RNE565	3.9 Litre Petrol	\$ 139.95
RNE566	.010	\$ 119.95
RNE567	.020	\$ 133.95
RNF306	4.0 Litre Petrol.....	\$ 82.95

Thrust Washer Set Series IIA, III

RNE585	2.25 Litre Petrol and Diesel STD.....	\$ 10.95
RNC306	.0025	\$ 16.49
RNC307	.005	\$ 17.95
RNC308	.010	\$ 38.95

Piston Assembly

Sold individually, includes rings, gudgeon pin and circlips. 4 required.

2.25 Litre Petrol Series II, IIA, III. Available in sizes

RNF152	STD, .010, .020, .030, .040, .060.....	\$ 144.95
RNF155	2.25 Litre Diesel II, IIA, III STD.....	\$ 98.29
RNF153	2.25 Litre Diesel II, IIA, III020...4 req....	\$ 119.95
RNF154	2.25 Litre Diesel II, IIA, III040	\$ 113.95
RNM121	3.9 Litre Petrol..... STD.....	\$ 149.95
RNM096	3.9 Litre Petrol..... .020	\$ 149.95
RNM113	4.0 Litre Petrol..... STD	\$ 109.95

Ring Set for Piston

RNE571	2.25 Litre Petrol II, IIA, III..... STD.....	\$ 61.36
RNE572	sold in complete010	\$ 61.36
RNE573	engine set020	\$ 61.36
RNE578	2.25 Litre Diesel II, IIA, III STD.....	\$ 71.95
RNE579	Sold in single piston sets010	POA
RNE580	4 required..... .020	\$ 72.95
RNE574	2.6 Litre Petrol IIA..... STD.....	\$ 42.95
RNE575	Sold in single piston sets010	POA
RNE576	(6 required)020	\$ 33.95
RNM101	3.9 Litre Petrol..... STD.....	\$ 33.95
RNF331	3.9 Litre Petrol..... .020	\$ 89.95
RNF307	4.0 Litre Petrol..... STD.....	\$ 52.49

Connecting Rod

RNC933	2.25 Petrol Series II, IIA, III	\$ 199.95
RNE139	2.25 Petrol Reconditioned.....	\$ 47.98
RNE103	2.25 Diesel Series II, IIA, III.....	\$ 131.95
RNM071	3.9 Petrol.....	\$ 144.95
RNM072	4.0 Petrol.....	\$ 128.75

Rod Bush

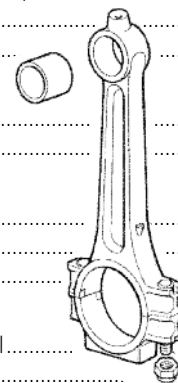
RNC250	2.25 Petrol.....	\$ 11.95
RNB562	2.25 Diesel.....	\$ 5.49

Rod Bolt

RND048	2.25 Petrol.....	\$ 4.95
RNC619	3.9 Petrol.....	\$ 5.54
RNC987	4.0 Petrol.....	\$ 4.59

Rod Nut

RNE138	2.25 Petrol and Diesel.....	\$ 1.49
RNC618	3.9 Petrol.....	\$ 1.59



Timing Components

2.25 Litre Petrol and Diesel Series II, IIA, III

RNE136	Timing Chain	\$ 33.95
RNB639	Timing Chain Pad	\$ 8.95
RNC383	Pad Locker	\$ 0.78
RNC741	Timing Chain Piston .	\$ 57.95
RNB603	Ratchet Spring	\$ 2.64
RNC334	Ratchet	\$ 35.79
RNB561	Bolt	\$ 7.95
RNA999	Tensioner Idler Wheel.	\$ 59.95
RNA988	Tensioner Spring	\$ 6.95
RNB654	Tensioner Cylinder.....	\$ 62.50
RNE142	Camshaft Gear	\$ 118.19
RNC439	Crankshaft Gear	\$ 61.95
RNC776	Cam Locker.....	\$ 0.54
RNE140	Pad Tensioner, replaces idler wheel and piston assembly	\$ 48.95
RNE141	Timing Chain for pad tensioner	\$ 61.49
RNF282	Bolt (2 required)	\$ 0.49

3.9, 4.0 Litre Petrol Timing Components

RNM102	3.9, 4.0 Timing Chain	\$ 37.50
RNM128	3.9 Camshaft Gear.....	\$ 28.95
RNM137	4.0 Camshaft Gear.....	\$ 33.95
RNM046	3.9 Distributor Drive Gear	\$ 96.59
RNM067	3.9, 4.0 Crankshaft Gear	\$ 14.48

Woodruff Keys

2.25 litre Petrol & Diesel

RNA967	Camshaft Key.....	\$ 3.30
RNA996	Crankshaft Key, 2 required.....	\$ 2.74

Freeze Plugs For Engines

RNC238	15/16" Push In Cup	\$ 0.82
RNF164	1" Screw Type/Cylinder Head.....	\$ 4.82
RNC249	1" Screw Type/Block	\$ 14.95
RNA965	1 1/4" Screw Type/Cylinder Head	\$ 9.95
RNC234	1 3/8" Push In Cup	\$ 1.37
RNB578	1 1/2" Push In Cup	\$ 1.77
RNC520	1 3/4" Push In Cup	\$ 4.99
RNC237	1 15/16" Push In Cup	\$ 2.69

Oil Pump

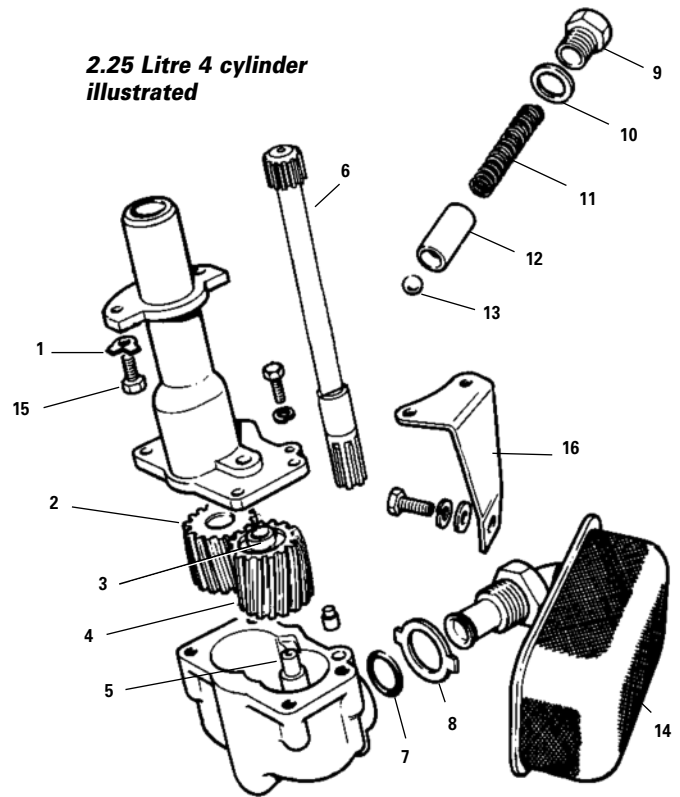
2.25 Litre Petrol and Diesel

RNC983*	Complete Assembly for late oil pumps	\$ 399.95
RNK144*	Rebuild Kit for late oil pumps.....	\$ 127.50

(requires different parts than listed below - please inquire)

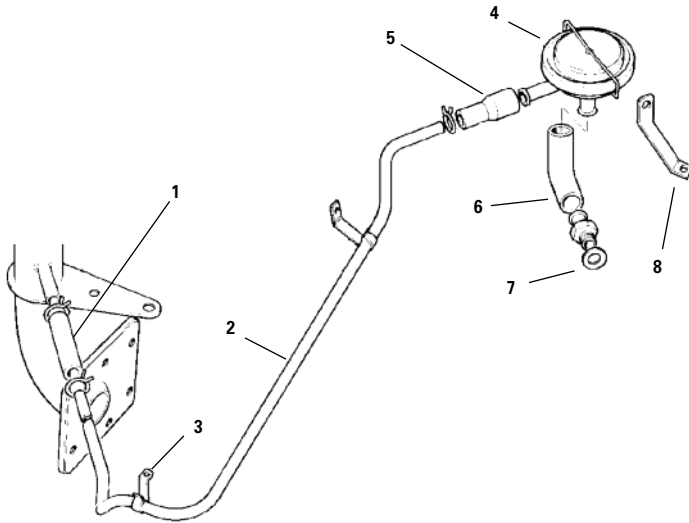
1.	RNB567	Lockwasher.....	\$ 0.62
2.	RNB522	Drive Gear	\$ 46.29
3.	RNA928	Idler Bush.....	\$ 4.56
4.	RNB657	Idler Gear (with bushing)	\$ 75.49
5.	RNC982	Idler Shaft.....	\$ 24.95
6.	RNE109	Drive Shaft	\$ 125.95
7.	RNB550	O Ring	\$ 1.85
8.	RNB549	Lock Washer	\$ 1.49
9.	RNC350	Cap.....	\$ 3.79
10.	RNA980	Washer.....	\$ 0.82
11.	RNC427	Relief Spring.....	\$ 1.89
12.	RNB632	Relief Sleeve	\$ 5.75
13.	PLB986	Relief Valve Ball	\$ 1.19
14.	RNC975	Screen Assembly	\$ POA
15.	RNS059	Securing Bolt.....	\$ 0.71
16.	RNC976	Bracket for Screen.....	\$ 6.49

2.25 Litre 4 cylinder illustrated



V8 Oil Pump Components

RNM062	Oil Strainer Gasket.....3.9, 4.0	\$ 4.74
RNM061	Oil Pump Gasket.....3.9	\$ 1.99
RNE110	Oil Filter Adapter O-Ring	\$ 3.84
RNM120	Oil Pump Repair Kit	\$ 34.95
RNC991	IACV Housing Gasket	\$ 0.79
RNM078	Throttle Position Sensor Gasket .3.9, 4.0	\$ 1.25
RNE149	Jacket Cover Gasket.....3.9, 4.0	\$ 2.09



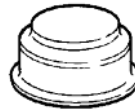
P.C.V. System

2.25 Petrol Late Series IIA on

- 1. RNC344 Rubber Hose-Oil Filler to Metal Line\$ 5.94
- 2. RNC473 Metal Line-Oil Filler To PCV Assembly\$ 17.95
- 3. RNF470 Clamp for Metal Line at Thermostat.....\$ 269.95
- 4. RNF239 PCV Valve Assembly\$ 165.95
- PCV101 PCV Diaphragm.....\$ 13.95
- 5. RNC340 Rubber Hose-PCV to Metal Line.....\$ 4.11
- 6. RNC475 Rubber Hose-PCV to Carb Base\$ 10.95
- 7. RNB543 Washer for Union.....\$ 0.82
- 8. RNC474 Bracket for Valve.....\$ 1.85

RNB665 Shielded oil pressure line Series II & IIA\$ 58.49

Oil Filler Cap



Breather Type:

RNC337 2.25 Petrol & Diesel
Early Series II, IIA\$ 37.49



Sealed Type:

RNC583 2.6 Petrol IIA, III, 2.25 Petrol & Diesel
Late Series IIA, III\$ 6.89

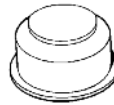


Screw Type:

RNV002 3.9, 2.25 Petrol & Diesel\$ 9.49
RNV003 4.0 Petrol\$ 10.19

RNM115 Oil Filler Dust Seal.....4.0.....\$ 5.54
RNM001 Valve Cover Crank Case Vent...3.9.....\$ 29.95
RNV048 Crank Case Vent O-Ring.....3.9.....\$ 1.37
RNM026 Valve Cover Vent Filters3.9.....\$ 3.50
RNM091 Vent Filter Cap.....3.9.....\$ 2.99

Valve Cover Cap



Breather Type

RNB565 2.25 Petrol & Diesel
Early Series II, IIA\$ 98.80



Sealed Type

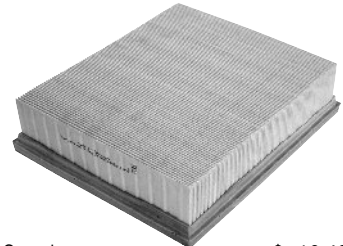
RNC958 2.25 Petrol Late Series IIA, III\$ 32.49

Oil Filters



- RND503 V8 - 101 Military Forward Control.....\$ 18.59
- RNE589 6 cyl 2.6 litre NADA 109", petrol\$ 8.75
- RND269 5 cyl 2.5 litre Td5, diesel, engine oil.....\$ 19.74
- RNH251 5 cyl 2.5 litre Td5, Centrifuge element.....\$ 24.95
- RNF001 4 cyl 2.3, 2.5 litre Defender 90/110, petrol.....\$ 9.95
- RNF001 4 cyl 2.5, 2.5 turbo, 200 Tdi, 300 Tdi, diesel\$ 9.95
- RNE590 4 cyl 2.25 ltr SIIA, III, pet/diesel, 5.5" canister.....\$ 8.89
- RNE591 4 cyl 2.25 ltr SIIA, III, pet/diesel, 7.5" canister.....\$ 9.10
- RNE589 4 cyl 2.0 litre Series I, petrol.....\$ 8.75

Air Filters



Defender

RNF950 NAS 90,110 V8, Genuine.....\$ 10.49
RNH382 200 Tdi Diesel, Genuine\$ 25.95
RNH383 300 Tdi Diesel, Genuine\$ 38.49
RNF147 Td5 Diesel, Genuine\$ 17.25

K&N Air Filters

This is the last filter your Land Rover will need! Superior design uses premium oil cotton gauze with wire screening allowing maximum air flow with maximum filtration. Easy to clean, never needs replacement.

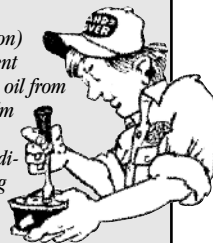


Defender

RNF141 Defender NAS V8 90, 110 K&N Filter.....\$ 39.95
RNF145 Service Kit for K&N Air Filter\$ 12.75

P.C.V. System

Series Land Rovers fitted with a P.C.V. (Positive Crankcase Ventilation) system allows the oil vapors from built-up crankcase pressure to vent through the system and burn off in the cylinders. This prevents the oil from venting into the atmosphere. It also helps alleviate the odor and film of oil that can develop on the engine and firewall. Make sure your Land Rover's P.C.V. system is venting properly by inspecting the condition of the rubber diaphragm inside the P.C.V. valve and by checking each of the rubber hose connections for cracks. A cracked diaphragm results in excessive exhaust smoke and broken hoses can cause a vacuum leak, resulting in poor running.



Engine Gasket Sets

Cylinder Head Set

(Contains all necessary gaskets and seals for cylinder head overhaul)

RNF310	2.25 Litre Petrol Series II, IIA, III	\$ 109.95
RNF309	2.25 Litre Diesel Series II, IIA, III, Genuine	\$ 165.36
PLF309	2.25 Litre Diesel Series II, IIA, III, ProLine.....	\$ 34.95
PLE602	2.6 Litre Petrol Series IIA, ProLine	\$ 59.95
RNV016	3.9, 4.0 Litre Petrol	\$ 169.69

Block Gasket Set - Does not include crankshaft seals.

Seals available on page 9.

(Use with Head Set for complete engine rebuild)

PLF308	2.25 Litre Petrol Series II, IIA, III	\$ 79.95
RNC239	2.25 Litre Diesel Series II, IIA, III.....	\$ 165.99
RNC624	2.6 Litre Petrol Series IIA, III.....	\$ 135.95
RNF311	3.9, 4.0 Litre Petrol	\$ 52.95

Individual Engine Gaskets

Valve Cover Gaskets

2.25 Litre Petrol



RNC998	Valve Cover to Head	\$ 12.39
RNC175	Sealing Rubber for Stud.....	\$ 2.75
RNB564	Washer Cover for Sealing Rubber	\$ 10.95
RNB558	Acorn Nut for Stud.....	\$ 2.59
RNB615	O-Ring for Breather.....	\$ 2.09

2.25 Litre Diesel

RNE146	Valve Cover to Head	\$ 9.24
RNB630	Sealing Washer for Stud.....	\$ 0.54
RNB615	O-Ring for Breather.....	\$ 2.09

2.6 Litre Petrol

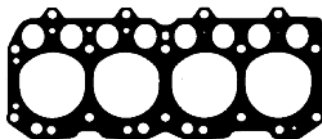
RNB608	Intake Valve Cover.....European.....	\$ 7.79
RNC231	Intake Valve Cover.....NADA	\$ 29.95
RNB636	Exhaust Valve Cover	\$ 5.20
RNB610	Sealing Washer for Stud.....	\$ 0.42
RNB615	O-Ring for Breather	\$ 2.09

3.9 Litre Petrol

RNM035	Valve Cover Gasket	3.9, 4.0	\$ 22.75
RNV048	O-Ring for Oil Filler Cap		\$ 1.37

Head Gasket

RNC969	2.25 Petrol.....	\$ 31.19
RNC993	2.25 Diesel.....	\$ 32.95
RNF296	2.6 Petrol.....	\$ 28.50
RNE152	3.9 Petrol (up to VIN# SA953449).....	\$ 13.59
RNM012	3.9 Petrol (from VIN# SA953450)	\$ 41.95



Washer For Cylinder Head

RNA979Oil Feed Pipe..	\$ 0.82
RNC620Drain Cock for Cylinder Block & Radiator Manifold Gaskets	\$ 9.59

Manifold Gaskets

2.25 Petrol

RNB633	Manifolds to Head	\$ 5.46
RNB572	Manifold to Manifold.....	\$ 3.29



2.25 Diesel

RNE150	Manifolds to Head	\$ 6.24
--------	-------------------------	---------

Manifold to Front

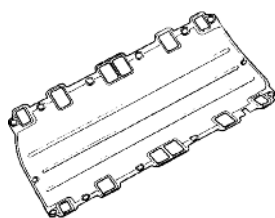
RNA924	Exhaust Pipe	\$ 4.61
--------	--------------------	---------

2.6 Petrol

RNE601	Exhaust Manifold	\$ 10.95
--------	------------------------	----------

3.9, 4.0 Petrol Gaskets

RNV004	Valley Pan Gasket.....	\$ 39.95
RNM039	End Seal (2 required)....	\$ 7.95



Exhaust Manifold Gasket

RNE753	(2 used per manifold)	\$ 9.95
RNC961	Heat Riser Assembly.....	\$ 6.95

Oil Sump Gaskets

2.25 Petrol and Diesel

RNC343	Oil Sump.....	\$ 19.35
RNB544	Washer for Drain Plug ...	\$ 0.99
RNC289	Drain Plug	\$ 3.98



2.6 Petrol

RNC338	Oil Sump.....	\$ 20.64
RNB544	Washer for Drain Plug ...	\$ 0.99
RNC289	Drain Plug	\$ 3.98

3.9, 4.0 Petrol

RNM110	Oil Sump	\$ 9.24
RNM061	Gasket- Oil Pump Housing, V-8	\$ 1.99
RNF013	Washer for Drain Plug.....	\$ 2.40
RNM032	Drain Plug.....	\$ 5.59



Hylomar Gasket Sealer

RNA681	\$ 8.49
--------	-------	---------

The official sealer used by Land Rover during assembly. Supplied in 3.5 oz. tubes.



Front Engine Cover Gasket

RNC305	2.25 Petrol and Diesel	\$ 4.44
RNB628	2.6 Petrol	\$ POA
RNM033	3.9 Petrol	\$ 8.49
RNM036	4.0 Petrol	\$ 8.95

Water Inlet Gasket

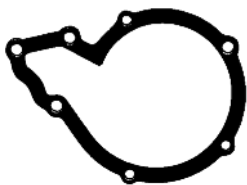


RNC986	2.25 Petrol & Diesel, used in conjunction with the front cover gasket	\$ 0.95
--------	---	---------

Rover North Engine Kits

For 2.25 Litre Petrol or Diesel Series IIA, III

To help you save time and money working on your Land Rover, we've simplified parts ordering on some service procedures by grouping the associated parts together into kits. The kits include all the parts required to carry out a particular service at a reduced price when compared to ordering all the needed parts separately.



Water Pump Gasket
2.25 Petrol and Diesel

RNC310	Series IIA, III	\$ 1.64
2.6 Petrol Gasket		
RNC420	NADA	\$ 0.99
RNE561	O-Ring	\$ 5.19
RNC012	3.9 Petrol	\$ 9.40
RNC053	4.0 Petrol	\$ 7.30
RNB061	2.25 Ex-MoD	\$ 4.19

Stellite Exhaust Valve Kit

Required for burning unleaded fuel in 2.25 petrol engines. Fits all models. Includes: 4 exhaust valve seats, 4 exhaust valves, 4 exhaust guides, and 4 exhaust guide seals.
RNK111..... \$ 248.95

Cylinder Head Overhaul Kit

Here's all the components needed for a valve job on a 2.25 petrol engine. Includes: 4 intake valves, 4 exhaust valves, 4 intake guides, 4 exhaust guides, 4 exhaust valve seats, 8 valve springs, 8 valve spring collars, 16 retainer halves for valve collars, and 1 head overhaul gasket set.
RNK114..... \$ 499.95

Engine Block Overhaul Kit

Reclaim worn cylinders and crankshaft on 2.25 petrol engine. State sizes needed. Includes: 4 pistons w/ring sets & pins, 1 main bearing set, 1 rod bearing set, 1 thrust washer set, 1 front engine seal, 1 rear engine seal, 4 rod bushings, and 1 block overhaul gasket set.
RNK121..... \$ 854.95

Camshaft Kit

This kit includes: 1 camshaft, 1 cam bearing set, 1 cam cover gasket, 1 cam woodruff key, and 8 tappet assemblies.
RNK131..... \$ 499.95

Oil Pump Overhaul Kit

Ensure proper engine lubrication applicable to 2.25 petrol and diesel engines. Includes: 1 drive gear, 1 idler gear, 1 relief ball, 1 relief sleeve, 1 relief spring, 2 lockers (for fastening to block), 1 O-Ring, 1 locker (for pickup screen), and 1 instruction sheet.
RNK144 \$ 127.50

Timing Chain Kit

Replaces loose chain, worn gears and upgrades tensioner. Kit Includes: 1 Timing Chain, 1 Chain Pad, 2 Pad Lockers, 1 Camshaft Gear, 1 Crankshaft Gear, 1 Pad Tensioner, and 2 Tensioner Bolts.
RNK133 \$ 279.95



Thermostat Gasket
2.25 Petrol and Diesel

PLC245	Upper	\$ 0.79
RNB573	Lower	\$ 1.24
RNB647	2.6 Petrol	\$ 3.12
RNC046	3.9, 4.0 Petrol	\$ 2.49



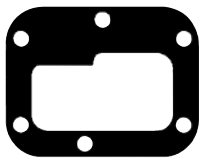
Bypass to Thermostat Housing

RNC738	Petrol & Diesel.....	\$ 1.69
--------	----------------------	---------



Cold Start Sender Gasket (choke warning light)
2.25 Petrol and Diesel

RNA998	2.6 Petrol and 3.5 Petrol	\$ 0.82
--------	------------------------------------	---------



Fuel Pump Gasket
2.25 Petrol and Diesel

RNC984	Cover to Engine Block	\$ 2.86
--------	--------------------------------	---------



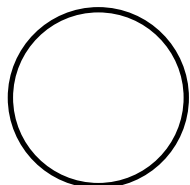
Oil Filler Neck Gasket

RNC989	2.25 Petrol and Diesel \$	2.59
--------	---------------------------	------



Oil Filter Housing Gasket
2.25 Petrol and Diesel,

RNC992	2.6 Petrol	\$ 1.99
--------	------------------	---------



Flywheel Housing O-Ring

RNB555	2.6 Petrol	\$ 7.95
RNB555	2.25 Petrol 3 Bearing ..	\$ 7.95
RNB555	2.25 Diesel 5 Bearing ..	\$ 7.95



Fuel Pump Gasket

RNB640	2.25 Petrol and Diesel \$	1.99
--------	---------------------------	------

See Page 12



Tech tip From Leaky...

when applying Hylomar gasket sealer, use only a thin film on both sides of most engine gaskets. The exception is on the valve cover where the cork gasket already has a self adhesive on one side (apply to valve cover) and NOT requiring Hylomar on the other. This will allow you to remove the valve cover later to adjust valves.

Carburetors - Series II, IIA & III

2.25 litre petrol

Zenith

RNC959 1968 on\$ 269.00

Conversion Kit for Zenith

For fitting Zenith carburetor to Land Rovers previously equipped with Solex carburetor. Includes gasket, base plate and bellcrank.
CONKIT2\$ 184.95

Solex Rebuild Kit 1958-1967

RNC181\$ 29.99
RNC164 Solex Accelerator Pump Diaphragm\$ 44.95

Zenith Rebuild Kit 1968 on

RNC622\$ 106.49
RNC623 Zenith Gasket Set\$ 19.95
RNC616 Zenith Accelerator Pump\$ 26.74
RNC617 Zenith Float Assembly\$ 27.95
RNH389 Solenoid Zenith Shut Off- New Zeniths only\$ 179.95

Rubber Adapter Rings from Intake Elbow to Carb

RNB645 Solex\$ 6.79
RNC375 Zenith\$ 16.95

Intake Hose

PLC221 Air Cleaner to Carb.....\$ 23.95

Choke Cable

Will adapt to all models, comes complete with provisions for cold start sender.

RNF312 Early type replacement.....\$ 25.49
RNE844 Series III.....\$ 22.95

Choke Light Switch

RNF203\$ 7.99

Diesel Injection Parts - Series IIA & III

Distributor Pump

RNC970 New thru Suff J.....\$ 1499.95

Glow Plug

RNC440 Late style for Series III from engine #36623972B\$ 37.59
RNH391 200/300 Tdi glow plug.....\$ 42.95

Glow Plug Resistor

RNE486\$ 28.95

Hot Plug

RNC384\$ 125.95

Peg for Hot Plug

RNE479\$ 0.44

Injector

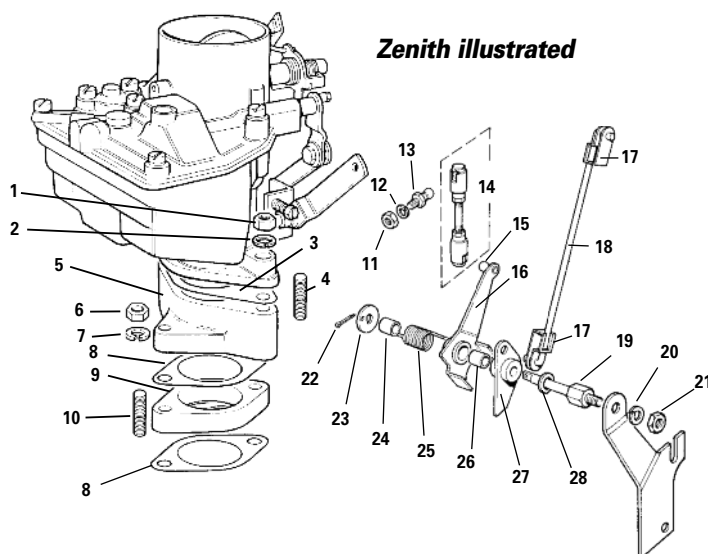
RNC426 Suff J on\$ 195.95

Injector Nozzle Washer

RNA905 Series II, IIA, III.....Steel\$ 0.75

Sealing Washer

RNB630 For spillway tube.....Series II, IIA, III.....\$ 0.54
RNC745 Fuel Filter Element.....\$ 7.54



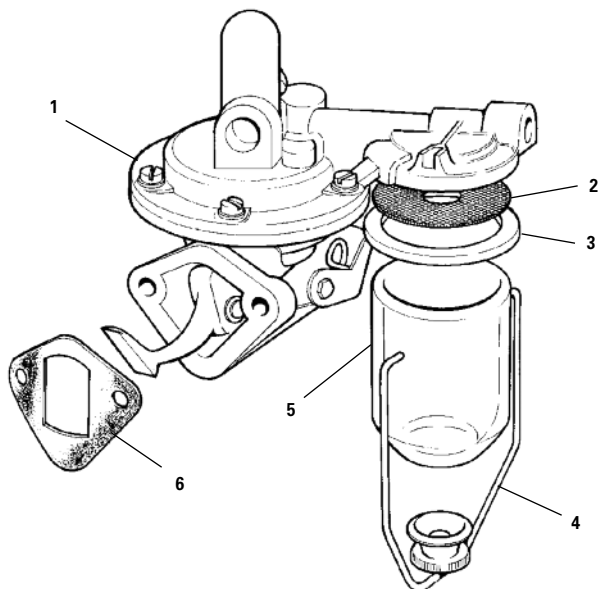
Zenith Carburetor & Linkage Illustrated

1.	RNS034	Nut for Stud	\$ 0.75
2.	RNS037	Locker for Nut.....	\$ 0.42
3.	RNC372	Gasket between Zenith & Weber Carbs and Base	\$ 1.35
4.	RNB582	Stud for Securing Carb to Base. 2 required.....	\$ 1.30
5.	RNF357	Base for Zenith & Weber Carburetor Includes studs with PCV outlet	\$ 130.00
	RNC373	Without PCV outlet	\$ 75.45
6.	RNE396	Nut	\$ 0.49
7.	RNH011	Locker	\$ 0.35
8.	RNB660	Gasket Phenolic Block.....	\$ 3.29
9.	RNB659	Phenolic Block for all Carburetors.....	\$ 5.00
10.	RNC525	Stud for Securing Base to Manifold.....	\$ 12.49
11.	RNB039	Nut	\$ 0.74
12.	RNX015	Locker	\$ 0.16
13.	RNB125	Ball Nut for Control Rod.....	\$ 4.99
14.	RNB126	Control Rod Assembly (adjustable).....	\$ 10.49
15.	RNB213	Ball Nut for Control Rod.....	\$ 5.79
16.	RNB306	Bell Crank.....	\$ 34.94
17.	RNB309	Control Rod Clip.....	\$ 0.49
18.	RNB310	Control Rod.....	\$ 12.49
19.	RNB313	Bell Crank Shaft	\$ 9.95
20.	RNH011	Locker	\$ 0.35
21.	RNE396	Nut	\$ 0.49
22.	RNB315	Cotter Pin.....	\$ 0.25
23.	RNB316	Special Washer	\$ 1.30
24.	RNB319	Bushing.....	\$ 2.34
25.	RNB321	Return Spring.....	\$ 0.99
26.	RNB350	Bushing.....	\$ 3.59
27.	RNB351	Bell Crank.....	\$ 11.95
28.	RNB352	Washer.....	\$ 0.89

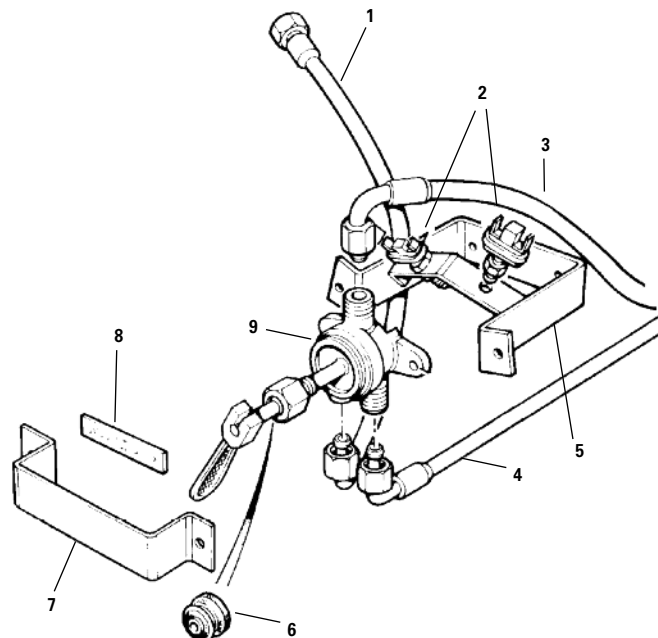
Fuel Lines

2.25 litre petrol

RNC366	Fuel Tank to Fuel Pump 88 & 109 Regular	\$ 16.95
RNC367	Fuel Tank to Fuel Pump 109 Station Wagon ...	\$ 18.95
RNC522	Fuel Pump to Zenith	\$ 8.09
RNC382	Fuel Pump to Solex.....	\$ POA
RNC521	Adapter Between Fuel Line and Zenith Carburetor	\$ 6.29
RND085	Clamp, Hose (2 Req.).....	\$ 1.24



Original style fuel pump with sediment bowl RNC349



Fuel pump - Series II, IIA & III

1.	Fuel Pump Complete Assembly 2.25 litre petrol, Series II, IIA, III		
	PLC349 Original style with sediment bowl, ProLine.....	\$	39.50
	RNF237 New Style without sediment bowl, w/gasket.....	\$	79.95
	RNF299 2.25 litre diesel, Series II,IIA, III, Genuine.....	\$	94.59
	PLF299 2.25 litre diesel, Series II,IIA, III, ProLine.....	\$	77.50
	RNC905 2.6 litre	\$	414.95
2.	RNC145 Screen for Sediment.....	\$	2.09
3.	RNB667 Rubber Seal	\$	2.99
4.	RNA900 Bail for Sediment Bowl.....	\$	6.29
5.	RNB505 Glass Sediment Bowl	\$	8.87
6.	Gasket for Fuel Pump		
	RNB640 2.25 litre original style w/sediment bowl.....	\$	1.99
	RNC990 New style w/out sediment bowl (two required).....	\$	1.37
	Fuel Pump Overhaul Kit		
	RNC805 2.25 litre petrol & diesel	\$	19.24

Military & Auxiliary Fuel Valve

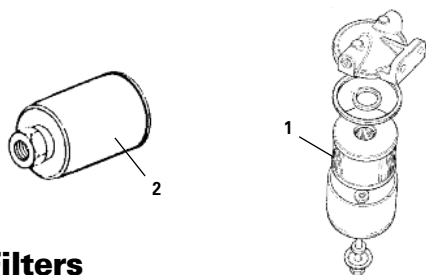
Series II, IIA & III

1.	Fuel Line to Main Tank		
	RNB353 109 Station Wagon 2.25 litre	\$	POA
	RNB354 88 & 109 Regular Civilian & Military	\$	10.95
2.	RNC188 Switch for Level Sender.....	\$	45.95
3.	Fuel Line to Fuel Pump		
	RNB355 All 2.25 litre models	\$	33.80
4.	Fuel Line to Auxiliary Tank		
	RNB356 88 & 109 Regular Civilian & Military	\$	40.05
	RNB354 109 Station Wagon 2.25 litre	\$	10.95
5.	RNB357 Mounting Bracket.....	\$	7.80
6.	RNB358 Boot for Lever	\$	4.75
7.	RNB359 Guard for Lever	\$	20.28
8.	Label		
	RNB360 RH/LH Tank	\$	8.09
	RNC386 Side/Rear Tank.....	\$	2.69
9.	RNC242 Auxiliary Fuel Valve with Lever	\$	167.95
	RNC285 Return Valve for Diesel & V8	\$	52.95

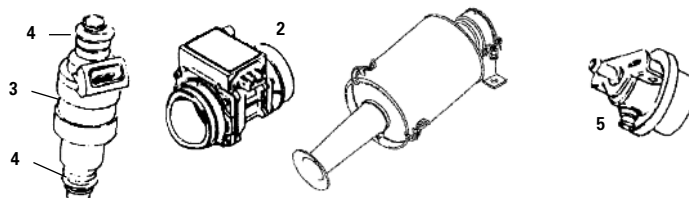
Fuel Filters

Fuel Filters

1.	RNE235 2.25 litre petrol, canister type Series III '74 on \$	4.95
	RNC745 2.25 litre diesel	7.54
	RNC745 2.5 naturally aspirated fuel filter	7.54
2.	RNF861 90, 110 inline with threaded fittings.....	20.97
	RNC632 2.25 litre petrol, inline w/threaded fittings	21.95
	RFF111 2.25 litre petrol, inline (ProLine) splice in.....	4.68
	RNC745 2.25 litre diesel	7.54
	RNF862 200, 300Tdi Fuel Filter-diesel.....	30.95
	RND270 Td5, Fuel Filter	65.95

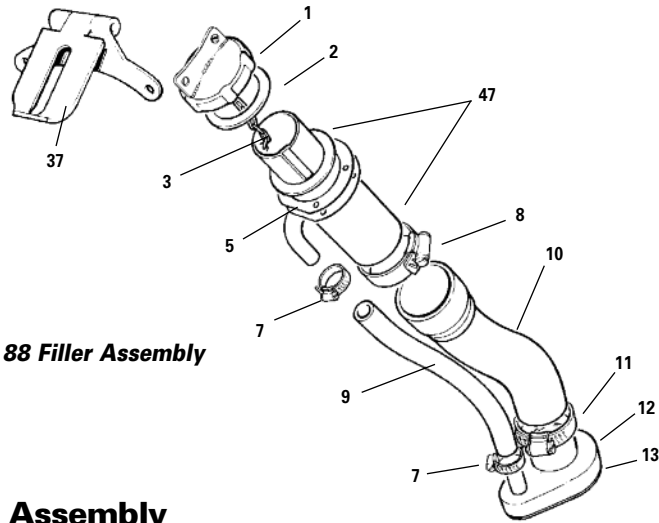


Fuel Injection - Defender

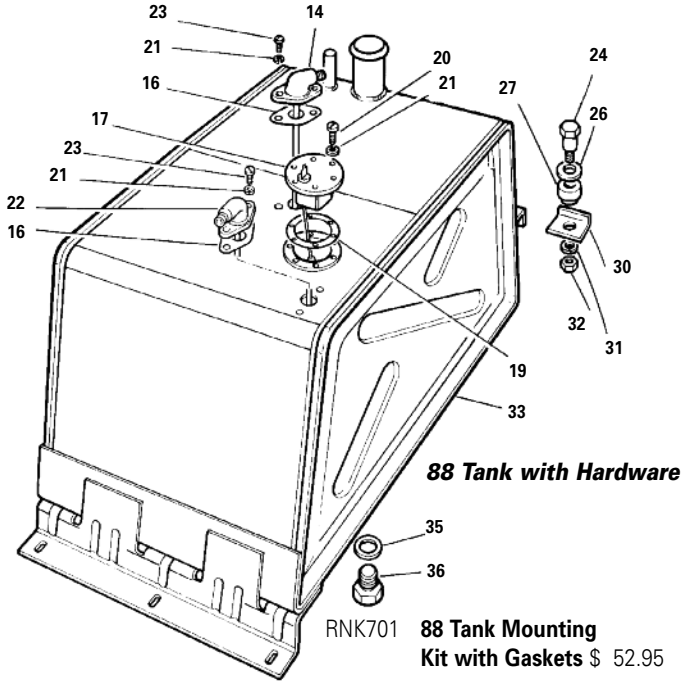


	RND292 O2 Sensor	\$	159.00
1.	RNF950 Air Filter Element	\$	10.49
2.	RNC999 Air Flow Meter, '94-95 D90 and '93 110	\$	669.95
	RNE040 Air Flow Meter, for '97 Defender 90	\$	549.95
3.	RNE105 Fuel Injector	\$	159.97
4.	RNF202 Fuel Injector O-Ring Seal (two required).....	\$	3.57
5.	RNE154 Fuel Pressure Regulator 3.9, 4.0	\$	134.95
	RNE147 Fuel Temp Sensor (not shown).....	\$	99.00
	RNH382 Air Filter 200 Tdi	\$	25.95
	RNH383 Air Filter 300 Tdi	\$	38.49
	RNF147 Air Filter Td5	\$	17.25

FUEL



88 Filler Assembly



88 Tank with Hardware

88 Tank Mounting Kit with Gaskets \$ 52.95

Filler Assembly

Series II, IIA, III 88, 109 NAS 90 & 110

1. Fuel Caps

RNC168	2 prong. Common on Series II, IIA. Secures to outer edge of filler neck., Genuine.....	\$ 48.95
PLC168	2 prong. Common on Series II, IIA, ProLine.....	\$ 10.50
RNB651	3 prong. Common on Series IIA. Secures to inner edge of filler neck, grey, Genuine.....	\$ 39.95
PLB651	3 prong. Common on Series IIA, ProLine.....	\$ 10.95
RNE406	3 prong. Series IIA, III. U.S. models 1970 on with sealed charcoal filter system, Genuine.....	\$ 31.15
PLE406	3 prong. Series IIA, III, ProLine.....	\$ 12.50
RNF137	Defender 90/110 plastic cap.....	\$ 18.95
RNE247	Locking plastic cap Defender 90 / 110.....	\$ 31.95
RNC449	Military Fuel Cap Series IIA, III.....	\$ 54.95
2. RNC172	Rubber Seal for Fuel Cap Series IIA, III.....	\$ 5.45
3. RNA974	Chain for Securing Cap Series IIA, III.....	\$ 3.05
5. RNC150	Rubber Seal for Filler Tube.....	\$ 2.59
7. RNC621	Clamp for Vent Tube Series IIA, III.....	\$ 2.17
8. RNC943	Clamp for Filler Tube Series IIA, III.....	\$ 4.43

9. Vent Hose

RNE251	88 & 109 Regular.....	\$ 10.95
RNC328	109 Station wagon.....	\$ 8.10
RNE121	Defender 90.....	\$ 38.95
RNE251	Defender 110.....	\$ 10.95

10. Filler Hose

RNC326	88 & 109 Regular.....All Types.....	\$ 30.94
RNE441	109 Station Wagon.....All Types.....	\$ 42.95
RNE118	Defender 90.....	\$ 34.54
RNE455	Defender 110.....	\$ 68.59

11. Clamp for Filler Hose

RNC013	\$ 2.89
--------	-------	---------

12. Foam Seal

RNC166	88 & 109 Regular only.....	\$ 4.44
--------	----------------------------	---------

13. Bottom Seal

RNC169	88 & 109 Regular only.....	\$ 2.49
--------	----------------------------	---------

14. Draw Tube-88 & 109 Regular

RNE437	Petrol.....	\$ 91.95
RNC332	Diesel.....	\$ 93.29

15. 109 Station Wagon

RNC146	Petrol.....	\$ POA
RNB361	Diesel.....	\$ POA

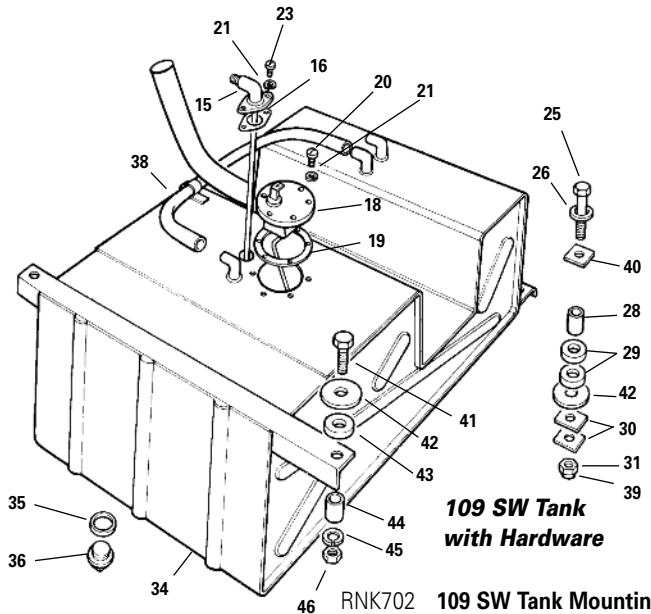
16. Gasket for all Draw Tubes

RNE127	\$ 1.15
--------	-------	---------

Fuel Senders

17. 88 & 109 Regular

RNB362	Positive Earth.....Diesel.....	\$ 129.95
RNE494	Negative Earth, Genuine.....Petrol.....	\$ 109.95
PLE494	Negative Earth, ProLine.....Petrol.....	\$ 85.95
RNC751	Negative Earth.....Diesel.....	\$ 62.95



109 SW Tank with Hardware

109 SW Tank Mounting Kit with Gaskets \$ 59.95

18. 109 Station Wagon

RNC750	Positive Earth.....Petrol.....	\$ 328.95
RNC751	Negative Earth.....Petrol & Diesel...	\$ 62.95

19. RNC339	Gasket for all Senders.....	\$ 2.07
------------	-----------------------------	---------

20. RNB997	Screw for all Senders (6 required).....	\$ 0.59
------------	---	---------

21. RNB698	Lock Washer for Sender Screw and Draw Tube.....	\$ 0.36
------------	---	---------

22. RNB624	Return Tube.....	\$ 73.49
------------	------------------	----------

RNE237	Blank Off Plate for Land Rovers without a return line (pre1970 models). Requires same screws and gasket as draw tube.....	\$ 6.79
--------	---	---------

23. RNC131	Screw for Return Tube & Draw Tube.....	\$ 0.36
------------	--	---------

24. RNC329	88 & 109 Regular.....	\$ 5.49
------------	-----------------------	---------

25. RNC910	109 Station Wagon.....	\$ 3.59
------------	------------------------	---------

26. RNA963	Flat Washer.....	\$ 0.77
------------	------------------	---------

27. RNC737	Stepped Rubber Washer	
------------	-----------------------	--

88 & 109 Regular (2 required).....	\$ 3.29
------------------------------------	---------

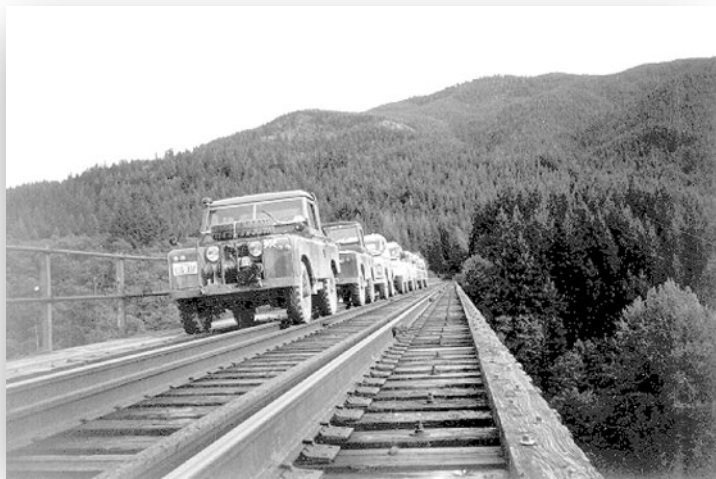
24. RNC329	88 & 109 Regular.....	\$ 5.49
------------	-----------------------	---------

25. RNC910	109 Station Wagon.....	\$ 3.59
------------	------------------------	---------

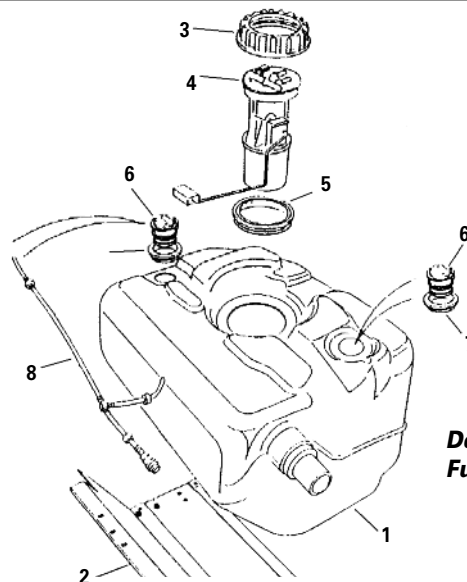
26. RNA963	Flat Washer.....	\$ 0.77
------------	------------------	---------

27. RNC737	Stepped Rubber Washer	
------------	-----------------------	--

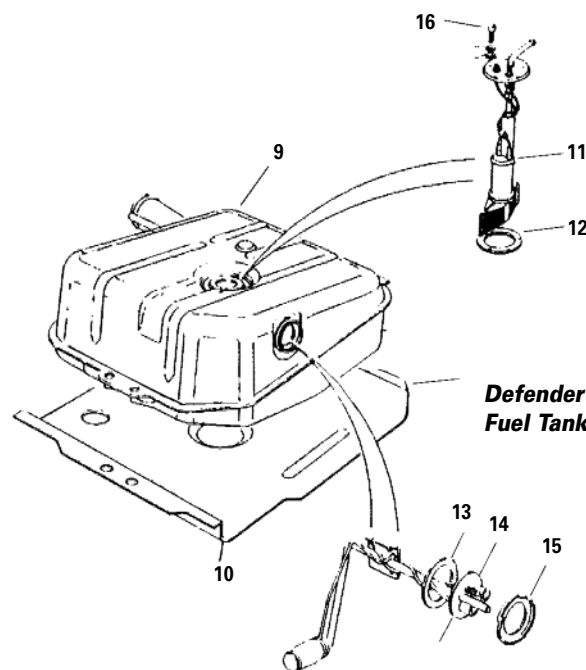
88 & 109 Regular (2 required).....	\$ 3.29
------------------------------------	---------



Pacific Coast Rover Club event



Defender 90 Fuel Tank



Defender 110 Fuel Tank

NAS Defender 90 Fuel Tank

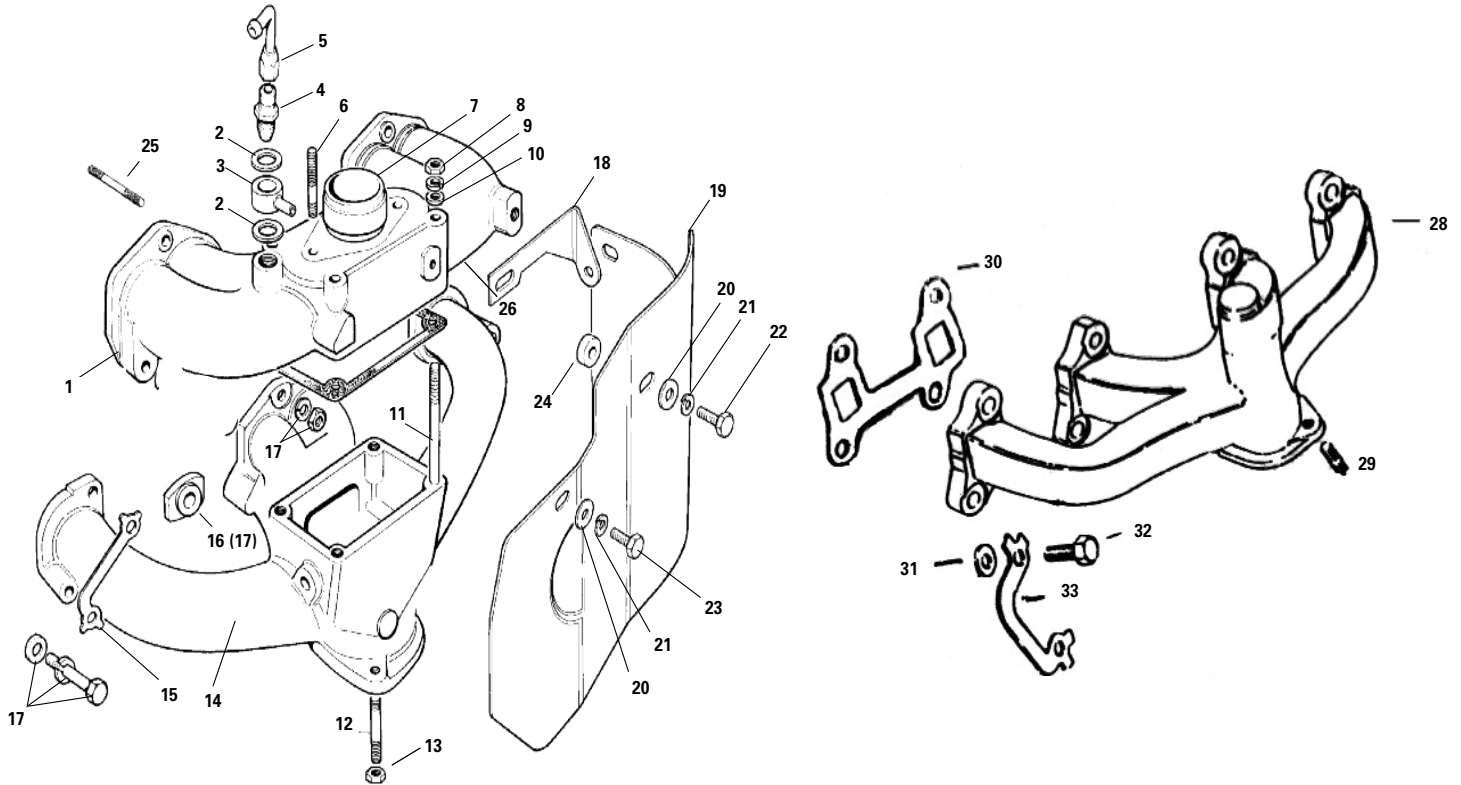
1.	RNE117	Fuel Tank 90.....	\$ 625.00
2.	RNE119	Cradle for Tank 90.....	\$ 144.95
3.	RNE464	Locking Ring 90.....	\$ 9.95
4.	RNE131	Fuel Pump / Sender 90.....	\$ 307.95
5.	RNF138	Sealing Ring 90.....	\$ 11.95
6.	RNE461	Cut Off Valve.....	\$ 29.95
7.	RNE465	Sealing Ring.....	\$ 14.95
8.	RNE120	Vent Piping.....	\$ 219.95

NAS Defender 110 Fuel Tank

9.	RNE114	Fuel Tank.....	\$ 379.95
10.	RNE116	Cradle for Tank.....	\$ 51.95
11.	RNF131	Fuel Pump.....	\$ 399.00
12.	RNF425	Sealing Ring.....	\$ 3.19
13.	RNC887	Sealing Ring.....	\$ 1.79
14.	RNC854	Fuel Level Sender.....	\$ 106.95
15.	RNC886	Locking Ring.....	\$ 5.18
16.	RNF264	Fixing Screw.....	\$ 0.95

- 28. RNC147 Steel Sleeve for 109 Station Wagon (two required).....\$ 0.97
- 29. RNC148 Special Washer for Sleeve on 109 Station Wagon (four required).....\$ 1.89
- 30. RNC330 Rectangular Washer 88 & 109 Regular.....\$ 9.49
- RNC149 109 Station Wagon.....\$ 1.44
- 31. RNS037 Lock Washer 88 & 109 Regular.....\$ 0.42
- 32. RNS034 Nut 88 & 109 Regular.....\$ 0.75
- 33. PLC362 Fuel Tanks Series II, IIA, III 88 & 109 Regular, Petrol & Diesel, ProLine.....\$ 189.95
- RNF360 Military 88 & 109 Regular.....\$ 595.00
- RNE434 Seal for Military Filler Neck.....\$ 19.95
- RNF360 Auxiliary Fuel Tank.....2.25 litre petrol....\$ 595.00
- RNC589 2.25 litre diesel.....\$ 499.95
- RNC363 2.6 & Series III V 8.....\$ POA
- 34. PLE424 109 Station Wagon Petrol & Diesel, ProLine....\$ 399.00
- 35. Washer for Drain Plug
- RNC210 Slotted Drain Plug.....\$ 0.79
- RNB543 Hex Drain Plug.....\$ 0.82
- 36. RNA995 Drain Plug for Fuel TanksSlotted type.....\$ 9.59
- RNE430 Drain Plug for Fuel TanksHex type.....\$ 6.50
- 37. Locking Hasp for Fuel Cap
- RNC170 Fits all models with external fuel caps except Defender.....\$ 9.99
- 38. RNC327 Vent Hose 109 Fuel Tank.....\$ 6.74
- 39. RNE476 Nut.....\$ 1.00
- 40. RNB363 Rectangular Washer.....\$ 5.49
- 41. RNC909 Bolt.....\$ 1.59
- 42. RNC100 Flat Washer.....\$ 0.84
- 43. RNC737 Spacer.....\$ 3.29
- 44. RNC736 Steel Sleeve.....\$ 1.49
- 45. RNH011 Locker.....\$ 0.35
- 46. RNE396 Nut.....\$ 0.49
- 47. RNF298 Filler Tube Assembly (4 and 6 combined) with Cap & Extension Tube.....\$ 109.95

EXHAUST



2.25 Litre Petrol Manifolds

1. Intake Manifold			
1.	RNC579 Petrol, Series II, IIA, III.....	\$ 252.95	
2.	RNA976 Sealing Washer.....	\$ 0.89	
3.	RNC971 Vacuum Outlet.....	\$ 3.69	
4.	RNC739 Adapter for Brake Vacuum Pipe.....	\$ 16.49	
	RNC519 Series III Adapter.....	\$ 8.49	
5.	RNC456 Steel Vacuum Pipe for Brake Servo.....	\$ 9.85	
6.	RNC525 Stud for Carburetor (two required).....	\$ 12.49	
7.	RNB658 Liner for Intake Manifold.....	\$ 19.95	
8.	RNS034 Nut for Manifold Stud.....	\$ 0.75	
9.	RNS037 Lockwasher.....	\$ 0.42	
10.	RNF217 Flat Washer.....	\$ 0.59	
11.	RNC472 Stud for fixing intake manifold to exhaust manifold (four required).....	\$ 1.64	
12.	RNC441 Exit Stud for fixing front pipe to exhaust manifold with brass nut & locker washer (three required).....	\$ 3.95	
13.	RNB715 Nut for Exit Stud.....	\$ 1.09	
14.	RNC584 Exhaust Manifold, Series II, IIA, III Replaces early type manifolds.....	\$ 163.49	
15.	RNC581 End Locker for exhaust manifold (two required)...	\$ 2.59	
16.	RNC425 Butterfly Washer (two required).....	\$ 4.54	
17.	RNC636 Exhaust Manifold Fixing Kit includes studs, bolts, washers and nuts for fixing exhaust manifold..	\$ 9.29	
18.	RNC209 Bracket for Engine Heat Shield.....	\$ 9.95	
19.	RNC518 Engine Heat Shield.....	\$ 10.95	
20.	RNF217 Flat Washer.....	\$ 0.59	
21.	RNS037 Lock Washer.....	\$ 0.42	
22.	RNC028 Bolt for Shield, Long.....	\$ 1.10	
23.	RNF279 Bolt for Shield, Short.....	\$ 0.75	
24.	RNC208 Spacer Washer for Heat Shield.....	\$ 3.89	
25.	RNB559 Stud for Intake Manifold.....	\$ 0.75	
26.	RNB572 Gasket Between Intake & Exhaust Manifold Rectangular in shape.....	\$ 3.29	
27.	RNB633 Gasket Between Head & Manifolds 18" long with 8 port holes.....	\$ 5.46	
Petrol 3.9, 4.0 Litre Exhaust Manifolds			
28.	RNE108 Exhaust Manifold Right.....	\$ 184.95	
	RNE107 Left, Driver's Side.....	\$ 194.95	
29.	RNE742 Exit Stud (3 per manifold).....	\$ 2.12	
	RNE115 Nut for Stud.....	\$ 1.43	
30. Manifold Gaskets			
	RNE753 Head to Manifold (2 per Manifold).....	\$ 9.95	
	RNE888 Manifold to Front Pipe, Genuine.....	\$ 8.50	
	PLE888 Manifold to Front Pipe, ProLine.....	\$ 5.95	
31.	RNH027 Flat Washer (8 per Manifold).....	\$ 0.45	
32.	RNH029 Fixing Bolt (8 per Manifold).....	\$ 2.97	
33.	RNE746 Locker (4 per Manifold).....	\$ 2.69	

Pipes & Mufflers

88 Series II, IIA, III Civilian and Military Models including Air Portables

RNC217	Front Pipe	\$ 47.95
RNB591	Intermediate Pipe	\$ 37.15
RNC412	Muffler & Tailpipe, exits right side, Genuine	\$ 51.95
PLC412	Muffler & Tailpipe, exits right side, ProLine	\$ 42.50
PLC587	Muffler & Tailpipe, exits left side.....	\$ 72.49
RNA924	Gasket for Muffler	\$ 4.61

109 2.25 Litre Regular (2 door), Series IIA, III (Up to Sept '73)

RNC219	Front Pipe	\$ 54.95
RNB644	Intermediate Pipe	\$ 49.95
RNC412	Muffler & Tailpipe, exits right side, Genuine	\$ 51.95
PLC412	Muffler & Tailpipe, exits right side, ProLine	\$ 42.50
PLC587	Muffler & Tailpipe, exits left side.....	\$ 72.49
RNA924	Gasket for Muffler	\$ 4.61

109 2.25 Litre Station Wagon, Series IIA, III (Up to Sept '73)

RNC219	Front Pipe	\$ 54.95
RNC144	Intermediate Pipe	\$ 37.95
RNC593	Muffler & Tailpipe	\$ 77.95
RNA924	Gasket for Muffler	\$ 4.61

109 2.6 Litre, Station Wagon, Series IIA

RNC416	Front Pipe	\$ 79.95
RNC414	Intermediate Pipe	\$ 67.50
RNC413	Muffler	\$ 102.95
RNC754	Tailpipe	\$ 54.95

109 2.25 Litre Military Regular, Series IIA, III

RNC217	Front Pipe	\$ 47.95
RNC152	Intermediate Pipe	\$ 64.95
RNC412	Muffler & Tailpipe, exits right side, Genuine	\$ 51.95
PLC412	Muffler & Tailpipe, exits right side, ProLine	\$ 42.50
PLC587	Muffler & Tailpipe, exits left side.....	\$ 72.49
RNA924	Gasket for Muffler	\$ 4.61

109 2.25 Litre Regular & Station Wagon, Series III, Suff. Con (Late '73 on)

RNC217	Front Pipe	\$ 47.95
RNC162	Intermediate Pipe	\$ 40.95
RNC593	Muffler & Tailpipe	\$ 77.95
RNA924	Gasket for Muffler	\$ 4.61

110 3.9 Litre N.A.S. Station Wagon 1993

RNE123	Downpipe Assembly ("Y" pipe and cats).....	\$1947.95
RNE111	Intermediate Silencer	\$ 639.00
RNE112	Tailpipe Assembly	\$ 524.95
RNE029	O2 Sensor (2 Req), Genuine.....	\$ 319.95
PLE029	O2 Sensor (2 Req), ProLine.....	\$ 129.95
RNE873	Rubber Mounting (3 required)	\$ 5.49

90 3.9 Litre NAS Soft Top & Station Wagon (Up to '96)

RNE123	Downpipe Assembly (up to SA959201)	\$1947.95
RNE122	Downpipe Assembly (from SA959202)	\$1295.00
RNE129	Downpipe Assm., CA only (from SA962674)	\$1859.00
RNF422	Intermediate Silencer	\$ 239.95
RNE125	Tailpipe Assembly	\$ 85.95
RNE029	O2 Sensor (2 Req), Genuine.....	\$ 319.95
PLE029	O2 Sensor (2 Req), ProLine.....	\$ 129.95
RNE873	Rubber Mounting (3 required)	\$ 5.49

90 4.0 Litre N.A.S. Soft Top & Station Wagon

RNE132	Downpipe Assembly ("Y" pipe and cats).....	\$ 959.95
RNF422	Intermediate Silencer	\$ 239.95
RNE125	Tailpipe Assembly	\$ 85.95
RND292	O2 Sensor (4 Req.), Genuine.....	\$ 159.00
PLD292	O2 Sensor (4 Req.), ProLine.....	\$ 129.95
RNC945	Olive "Y" Pipe / Intermediate.....	\$ 11.99
RNE124	Rubber Mounting (3 required)	\$ 4.50

NRP Performance Stainless Steel Exhaust System for Series II-III 2.25 petrol

Plan to keep your Series Land Rover forever?

Here's the exhaust system to go with it.

- Increased Power
- Improved Fuel Mileage
- Stainless Steel construction
- Lifetime Warranty for original purchaser
- Complete with instructions and Stainless Steel hangers.

RNE0001AA 88" Stainless Exhaust System \$ 529.95



Fax: (802) 879-9152



Orders: (802) 879-0032



Petrol Land Rovers 88, 90, 109 & 110

Intermediate Pipe Hanger 88 Tailpipe Hanger 109 2.25 Litre SW

1. RNB513	88"	\$ 1.19
RNC744	109"	\$ 4.69
2. RNB512	\$ 6.99
3. RNB545	\$ 1.94
4. RNC554	\$ 2.70
5. RNB515	\$ 3.95

Complete Assembly (inc. hardware)

RNK051	88"	\$ 29.95
RNK055	109"	\$ 35.95

Intermediate Pipe Hanger for 109 2.25 Litre

6. RNB594	\$ 13.65
7. RNF291	\$ 16.14
8. RNB637	\$ 4.39

Complete Assembly (inc. hardware)

RNK054	\$ 43.95
--------	-------	----------

Canister Hanger for Muffler 88, 109 2.25 Litre except 109" SW

Complete Assembly (inc. hardware)

RNK056	\$ 25.49
--------	-------	----------

Canister Hanger for Muffler 109 SW 2.25 Litre

Complete Assembly (inc. hardware)

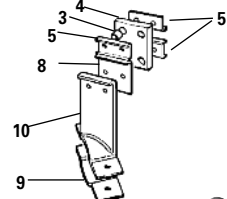
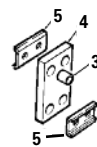
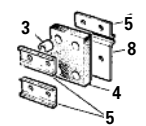
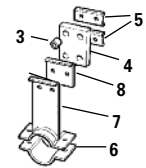
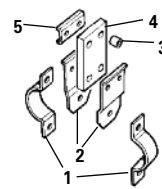
RNK0561	\$ 17.49
---------	-------	----------

Muffler & Tailpipe Hanger for 88

9. RNB517	\$ 2.65
10. RNB516, LH.....		\$ POA
RNB514, RH		\$ 5.49

Complete Assembly (inc. hardware)

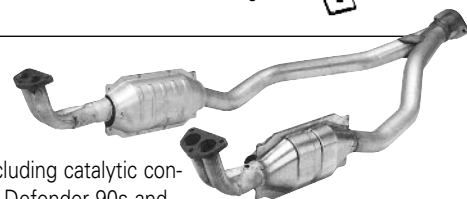
RNK052, RH		\$ 32.95
RNK053, LH.....		\$ 31.50



N.R.P. Performance Exhaust Systems "Y" Pipe

NRP "Y" pipe assembly, including catalytic converters, provides owners of Defender 90s and 110s with the first quality alternative to the genuine part. Decreased back pressure and twin tube construction result in noticeably improved performance. Carefully positioned tubing parallels the chassis, protecting both catalytic converters and resulting in increased ground clearance. Guaranteed to be the easiest "Y" pipe to install, this kit comes complete with the "Y" pipe assembly, manifold gaskets, all hardware and installation instructions.

RNE0020 Defender 90, 110, 1993-1995\$ 866.00
 RNE0021 Defender 90, 1997\$ 866.00



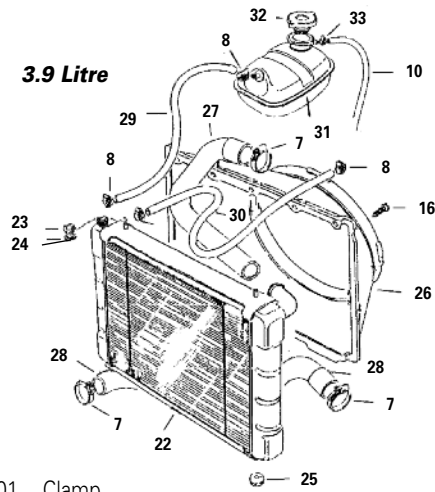
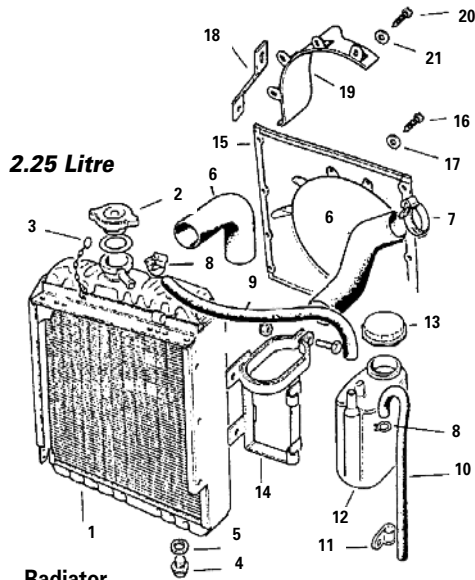
N.R.P. Stainless Steel Rear Exhaust System

By far the finest stainless steel rear exhaust system we have fitted to a Land Rover! Designed for the do-it-yourselfer, this system installs easily and is backed with a lifetime guarantee. Cat-back system includes center silencer, tailpipe, all stainless steel hangers, hardware and installation instructions.

RNE0002	Defender 90	\$ 599.00
RNE0004	Defender 110	\$ 619.00



COOLING



1. **Radiator**
 RNC513 2.25 litre, Series IIA, III 1970 on. *Can be fitted to earlier 2.25 litre Land Rovers by fitting late type top and bottom hoses*\$ 447.95
 PLC513 2.25 litre, Series IIA, III 1970 on, Heavy Duty 4 core, ProLine\$ 229.95
 RNE428 Stage I V-8\$ 949.95
 RNC512 6 Cylinder\$ 448.95
 RNE130 3.9, 4.0 litre 90, 110\$ 524.95
 RNE460 Oil Cooler Adapter 4.0 litre\$ 16.29
2. **Cap for Radiator or Expansion Tank**
 RNF351 2.25 litre, Series IIA, 1963 on and Series III\$ 6.49
 RNC022 3.9, 4.0 litre 90,110\$ 7.24
3. **Chain for Radiator Cap**
 RNC186 Series IIA, III\$ 3.19
4. **Drain Plug for Radiator**
 RNC451 *Not required for new radiators*\$ 7.45
5. **Copper Washer for Drain Plug**
 RNB364\$ 1.59
6. **Radiator Hoses**
 2.25 litre, Series II, IIA thru 1969
 RNC458 Top Hose\$ 10.95
 RNC476 Middle Hose\$ 5.20
 RNC459 Bottom Hose\$ 12.99
 2.25 litre, Series IIA, as shown, III 1970 on (late type)
 RNC510 Top Hose\$ 20.34
 RNC476 Middle Hose\$ 5.20
 RNE407 Bottom Hose, Genuine\$ 13.29
 PLE407 Bottom Hose, ProLine\$ 6.95
 2.25 litre, Series II, IIA thru 1969, Military Models
 RNC458 Top Hose\$ 10.95
 RNC476 Middle Hose\$ 5.20
 RNB365 Bottom Hose\$ 22.95
 2.6 litre, Series IIA, III
 RNC664 Top Hose\$ 15.95
 RNE561 O-Ring for Water Pump\$ 5.19
 RNC665 Bottom Hose\$ 14.95
7. **Hose Clamp for Radiator Hoses all Models**
 RNC013\$ 2.89
8. **Hose Clamp For Bleed Off Hose**
 RNE398 Series IIA, III\$ 1.89
 RNC944 Defender 90, 110\$ 1.25
9. **Bleed off Hoses**
 RNC432 Series IIA, III 1970 on\$ 7.19
 RNC032 90, 110 Radiator to Expansion Tank\$ 9.65
 RNE529 Radiator to Intake Manifold\$ 27.49
10. **Drain Hose**
 RNC009 Series IIA, III, 90, 110, 1970 on\$ 2.94

11. RNC801 Clamp\$ 1.29
12. **Overflow Tank with cap**
 RNC430 Series IIA, III 1970 on\$ 51.29
13. RNC431 Cap For Overflow Tank\$ 5.49
14. **Mounting Bracket for Overflow Tank**
 RNC585\$ 22.19
15. **Cowl for Radiator**
 PLE447 Series IIA, III 2.25 litre petrol\$ 89.95
16. **Mounting Screw for Cowl**
 RNC419 (Nine required for 2.25, four for 3.9)\$ 0.94
17. **Spring Washer for Mounting Screw**
 RNF434\$ 0.52
18. **Mounting Bracket For Fan Shroud**
 RNB366 2.25 litre\$ POA
19. **Fan Shroud**
 RNC359 2.25 Petrol\$ 34.95
20. RNC795 Screw for Mounting Fan Shroud\$ 0.99
21. RNF421 Flat washer\$ 0.45
22. RNE130 Radiator 90, 110 3.9 and 4.0 litre\$524.95
 RNE460 Oil Cooler Adapter-4.0L Genuine\$ 16.29
 PLD496 200 Tdi, Radiator, ProLine\$279.00
 RNH255 300 Tdi, Radiator, Genuine\$699.00
 RND500 300 Tdi w/Intercooler, Genuine\$629.95
 PLD500 300 Tdi w/Intercooler, ProLine\$549.00
 RNH256 Td5 W/EGR, Radiator, Genuine\$449.95
23. RNC997 Fill Plug\$ 2.19
24. RNC996 Sealing Washer\$ 0.95
25. **Rubber Mount for Radiator Bottom**
 RNC471 (2 required)\$ 1.84
Rubber Mount for Radiator Top
 RNE422 (2 required)\$ 2.69
26. **Cowl for Radiator**
 RNE462 3.9 Litre, 90,110\$ 59.49
 RNE126 4.0 Litre Auto Top Section\$ 12.39
 RNE106 Bottom Section\$ 87.95
 RNC419 Fixing Screw for 3.9 & 4.0 Cows\$ 0.94
27. RNE463 Top Hose 3.9 & 4.0 Litre\$ 23.40
28. RNE459 Bottom Hose 3.9 Litre\$ 37.95
 RNE133 Bottom Hose 4.0 Litre\$ 49.95
29. RNC032 Hose Radiator to Expansion Tank\$ 9.65
30. RNE529 Hose Radiator to Intake Manifold\$ 27.49
31. RNH393 Expansion Tank 3.9 Litre\$ 77.95
 RNH394 Expansion Tank 4.0 Litre\$ 77.95
32. RNC022 Radiator Cap\$ 7.24
33. RNE398 Clamp\$ 1.89

Engine Heaters for Winter Starting

- 2.25 litre thermostatically-controlled bottom hose heater.**
 RNC711 Installs in minutes (ProLine). Series II, IIA through 1969 with 1 1/4" dia. bottom hose\$ 41.75
- Series IIA, III 1970 on**
 RNC712 with 1 1/2" dia. bottom hose\$ 41.75
- 3.9, 3.5 litre Block Heater Kit**
 RNA688 Fits into engine block freeze plug\$109.00

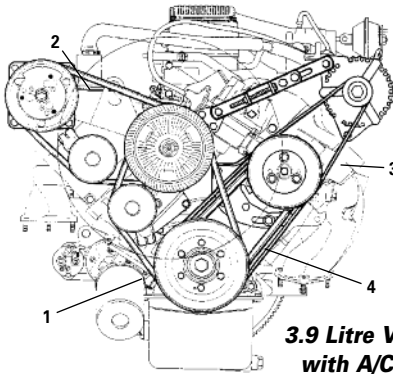
Water Pump Assembly Complete With Gasket

RNF334	2.25 litre, Series IIA, III 1962 on (9 hole), Genuine	\$ 99.50
PLF334	2.25 litre, Series IIA, III 1962 on (9 hole), ProLine	\$ 59.00
RNC348	Military 2.25 litre, Series IIA, III (7 hole), Genuine	POA
PLC348	Military 2.25 litre, Series IIA, III (7 hole), ProLine	\$ 129.00
RNC151	Series II 2.25 litre 1959-1961 (Recon) (8 hole)	\$ 139.95
RNF361	2.5 litre, 90, 110	\$ 249.95
RNC424	2.6 litre, Series IIA, III Euro Type	\$ 100.95
RNC011	3.9 litre 90, 110, Genuine	\$ 164.95
PLC011	3.9 litre 90, 110, ProLine	\$ 109.95
RNC052	4.0 litre 90, Genuine	\$ 192.50
PLC052	4.0 litre 90, ProLine	\$ 129.95
RNH257	Water Pump 200 Tdi	\$ 299.95
RNH258	Water Pump 300 Tdi	\$ 88.79
RNH360	Water Pump Assembly	\$ 150.95

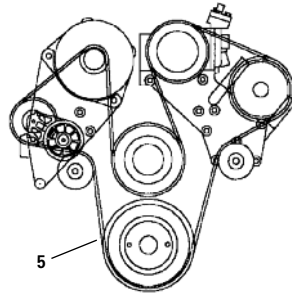
Water Pump Rebuild Kit

RNE587	2.25, Series IIA, III	\$ 49.95
RNC629	2.6, Series IIA, III, Euro Type	\$ 108.49
RNC630	2.6 Series IIA N.A.D.A.	\$ 134.29

**3.5, 3.9
Litre V8**



**3.9 Litre V8
with A/C**

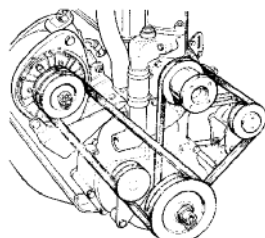


**4.0 Litre V8
with A/C**

Fan Belts

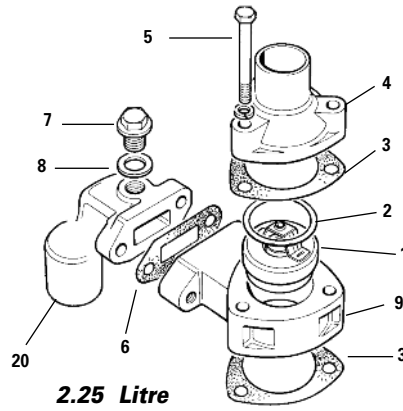
RNF332	2.0 litre Series I, II	\$ 46.95
RNC422	2.25, Series IIA, III, Petrol and Diesel	\$ 7.95
RNC422	2.3, 2.5 litre, 90, 110	\$ 7.95
RNC977	with Air Conditioning	\$ 14.95
RNE153	2.5 Turbo Diesel 90, 110	\$ 15.95
PLE599	2.6 litre, Series IIA	POA
1. RNC001	3.9 litre, Water Pump Belt	\$ 15.95
RNE153	200 Tdi, Water Pump, Alternator Belt	\$ 15.95
2. RNC001	3.9 litre, A/C Belt	\$ 15.95
RND295	300 Tdi, A/C Belt	\$ 15.49
3. RNC003	3.9 litre, Alternator Belt	\$ 29.50
4. RNC004	3.9 litre, Power Steering Belt	\$ 19.49
5. RNC006	4.0 litre, Serpentine Belt	\$ 29.99
RND296	300 Tdi, Serpentine up to engine 16L25164	\$ 25.95
RND297	300 Tdi, Serpentine from engine 16L25165	\$ 24.95
RND298	Td5, Serpentine with out A/C	\$ 27.95
RND299	Td5, Serpentine with A/C	\$ 33.79

**Military 24V
FFR w/90 amp
Generator**

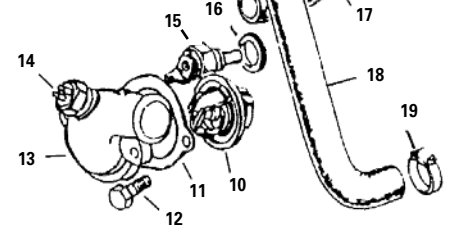


Military Fan Belts

RNC374	2.25 litre, 12 volt, matched set	\$ 21.95
RNC288	Military 24 volt, Generator (2 Req.)	\$ 21.50



2.25 Litre



3.9 Litre

Cold Winter Starting

Both the block heater and hose heater kits plug into any 110v household outlet and warm the engine's coolant for improved starting performance, decreased engine wear and fast interior heat. See page 20



Thermostat Housing Series Engines

1. Thermostat

2.25 litre, Series IIA, III Wax Type

RNC276	Thermostat	74°C	\$ 9.95
RNC580	Thermostat	82°C	\$ 7.85
RNC320	Thermostat	88°C	\$ 17.19
RNC421	Thermostat	2.6 litre 78°C	\$ 7.25

2. RNC248	O Ring Seal	2.25 litre	\$ 1.49
-----------	-------------	------------	---------

3. Gaskets For Thermostat

2.25 litre Series IIA, III

PLC245	Top gasket	\$ 0.79
RNB573	Bottom gasket	\$ 1.24
RNB647	2.6 litre	\$ 3.12

4. Top Housing For Thermostat

RNC244	2.25 litre	\$ POA
--------	------------	--------

5. Bolts for Thermostat Housing

RNC907	(three required)	\$ 0.75
--------	------------------	---------

6. By-Pass Gasket

RNC738	2.25 litre	\$ 1.69
--------	------------	---------

7. Outlet to Heater Hose (not shown)

RNC663		\$ 6.70
RNC289	Plug	\$ 3.98

8. Sealing Washer

RNB544		\$ 0.99
--------	--	---------

9. Thermostat Housing

PLB367		\$ 29.00
--------	--	----------

Thermostat Housing and Senders 3.9 & 4.0 Litre

10. RNC047	Thermostat	88°C	\$ 8.95
11. RNC046	Gasket for Thermostat		\$ 2.49
12. RNC028	Fixing Bolt for Thermostat		\$ 1.10

Housing for Thermostat

13. RNC040	Housing	3.9 Litre	\$ 57.95
RNC041	Housing	4.0 Litre	\$ 114.95
14. RNC045	Temp Switch for Fan		\$ 31.19
RNC023	Sealing Washer for Switch		\$ 1.09

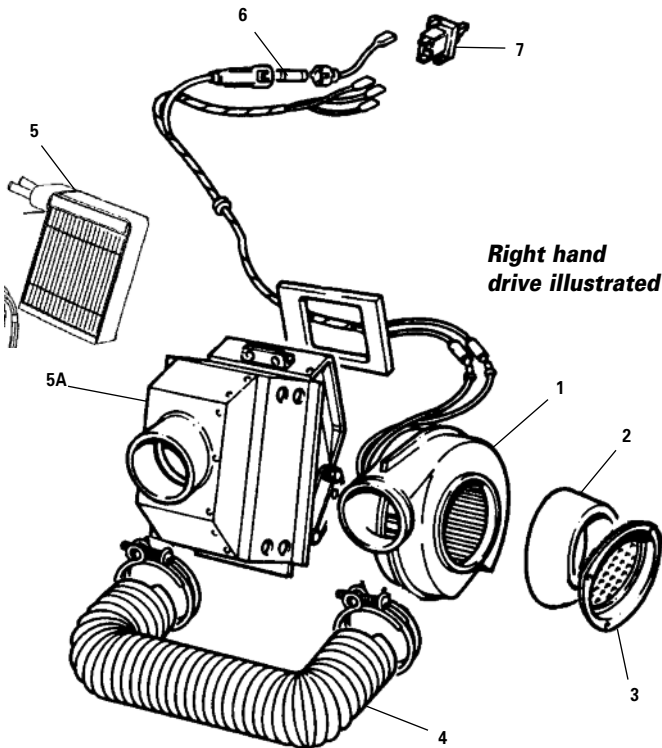
15. Temp Sender

RNC034	Temp Sender	3.9 Litre 90	\$ 30.85
RNC035	Temp Sender	3.9 Litre 110	\$ 13.95
RNC036	Temp Sender	4.0 Litre 90	\$ 19.54
16. RNC039	Sealing Washer	3.9 Litre	\$ 0.36
17. RNC048	Hose Water Pump to Heater	3.9 Litre	\$ 15.49
18. RNC043	Hose Manifold to Heater	3.9 Litre	\$ 22.95
19. RNC049	Hose Clamp	3.9 Litre	\$ 2.49
20. RNH388	Thermostat Bypass Housing		\$ 139.95

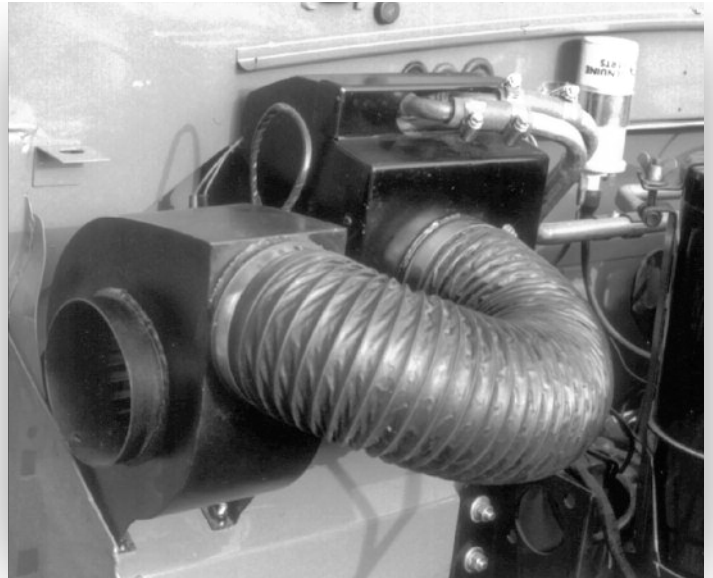
Heating

Fresh Air Heater Series IIA, III 1968-On, Smiths Type

1.	RND271	Heater Blower Motor.....	\$ 83.19
2.	PLB952	Foam Seal For Intake.....	\$ 9.79
3.	RNB931	Exterior Intake Grill.....	\$ 32.50
4.	RNB937	Plastic Air Hose.....	\$ 5.72
5.	RNH395	Heater Core Only.....	\$ 143.19
5A.	RNE280	Heater Matrix Housing.....	\$1295.00
6.	RNF177	Fuse for heater, Genuine.....	\$ 1.20
	PLF177	Fuse for heater, ProLine.....	\$ 0.75
7.	RNE805	Dash Switch for heater.....	\$ 20.19



Awaiting the adventure commute home from Rovers North.



Rovers North's Mt. Mansfield Heater

Designed to fit Series II, IIA, III 2.25 litre Land Rovers, this is the biggest, hottest heater you can pack under a Land Rover's wing. This monster 20,000 BTU heater is available in two kit forms with the addition of an interior distribution box kit available for early Series II, IIA Land Rovers. Instructions included with kits. RHD versions are also available, please call.

Base Kit For Series II, IIA

Includes the heater core assembly (5) and the blower assembly (1) with air hose (4) and gasket (6). MHK IIBE kit also includes splash guard and hardware.

MHKIIBE	Series II, IIA up to 1969.....	\$ 759.95
MHKIIBL	Series IIA 1969-71.....	\$ 618.95

Complete Kit For Series II, IIA

Includes Base Kit plus coolant hoses, coolant flow valve, control cable, 2 speed switch (9), intake seal (2) and grill (3), thermostat with gaskets, wire harness (7) and hose clamps.

MHKIICE	Series II, IIA up to 1969.....	\$ 879.95
MHKIICL	Series IIA 1969-71.....	\$ 799.95

Interior Distribution Box Kit, Series II, IIA

Includes passenger side distribution box with doors for directing floor heat and defrost, defroster tubes and defroster pans for windscreen. Designed to fit Land Rovers from 1959 through 1967, this kit can also be installed in later Series IIA 1968 through 1971 without factory distribution systems.

DBKII	Series II, IIA.....	\$ 308.95
DBKIIR	Series II, IIA RHD.....	\$ 324.49

Mt. Mansfield Heater Kit, Series III

Includes the heater core assembly (5) and the blower assembly (1) with air hose (4) and gasket (6) and clamps, large diameter heater hose, pipe nipples and valve assembly with sealing washers, thermostat and gaskets.

MHKIII	Series III.....	\$ 724.95
--------	-----------------	-----------

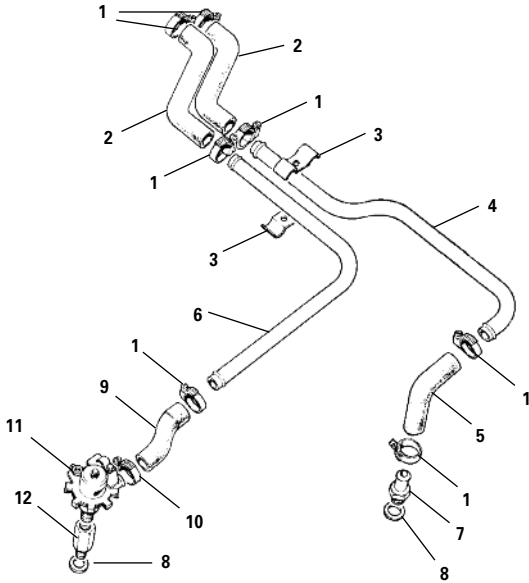
Defroster Hose for other Land Rover heater systems

Sold in 6' lengths only for Ser. II and IIA dash.

DEF114	1 1/4" Diameter.....	\$ 30.68
DEF112	1 1/2" Diameter.....	\$ 30.68
DEF134	1 3/4" Diameter.....	\$ 28.64
DEF2	2" Diameter.....	\$ 30.69

Air Intake Hose

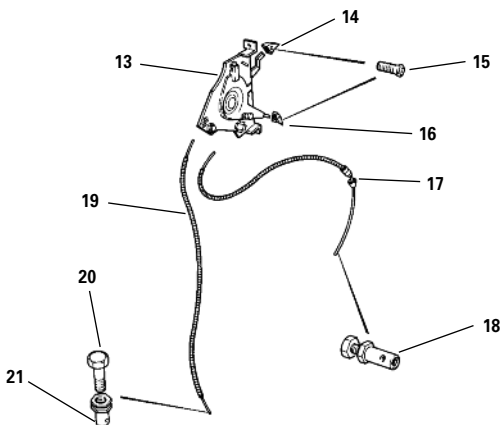
DEF4	4" Diameter.....	Sold in 1' Lengths.....	\$ 14.30
------	------------------	-------------------------	----------



Series III Heater Pipes

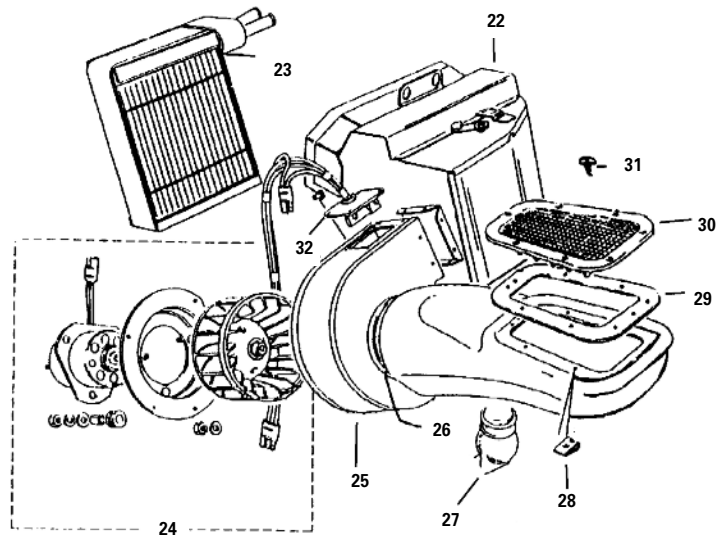
(will fit Series IIA '69 on if replaced as a complete assembly) LHD.

1.	RNE399	Hose Clamp	\$ 2.04
2.	RNC509	Heater Hose	\$ 6.29
3.	RNE113	Clamp (two required)	\$ 4.69
4.	RNB369	Heater Pipe	\$ 20.28
5.	RNC570	Heater Hose 90° Bend	\$ 15.95
6.	RNB370	Heater Pipe	\$ 40.56
7.	RNC663	Fitting for Cylinder Head	\$ 6.70
8.	RNB544	Compression Washer	\$ 0.99
9.	RNC569	Heater Hose for Valve	\$ 7.84
10.	RNC621	Hose Clamp for Valve	\$ 2.17
11.	RNC760	Engine Control Valve for Heater	\$ 73.95
12.	RNC568	Adapter for Control Valve	\$ 9.99



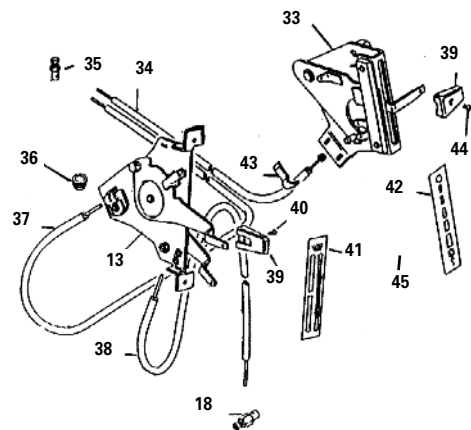
Series III Heater Controls LHD

13.	RNB953	Heater Control Lever Assembly	\$ 59.95
14.	RNE298	Finger Control Defrost/Car	\$ 4.74
15.	RNE264	Set Screw for Finger Control	\$ 0.35
16.	RNE298	Finger Control Cold/Hot	\$ 4.74
17.	RNC931	Cable Assembly for Interior Air Flow	\$ 5.72
18.	RNC438	Fastener Assembly	\$ 4.99
19.	RNB958	Cable Assembly for Engine Control Valve	POA
20.	RNB584	Pinch Bolt	POA
21.	RNB987	Fastener	\$ 3.90



Defender 90 Heater Assembly

22.	RNC922	Heater Matrix Housing with Core	\$ 593.95
23.	RNF414	Heater Core	\$ 116.23
24.	RNF156	Blower Motor, Genuine	\$ 189.95
	PLF156	Blower Motor, ProLine	\$ 119.95
25.	RNC782	Blower Housing	\$ 64.95
26.	RNE289	Foam Seal Blower to Duct	\$ 7.79
27.	RNE360	Damper Sock	\$ 9.49
28.	RNC814	Clip	\$ 0.41
29.	RNE293	Seal	\$ 3.88
30.	RNC903	Intake Grille RH	\$ 10.49
31.	RNC793	Fixing Screw	\$ 0.74
32.	RNF413	Low Speed Resistor and Harness	\$ 56.95

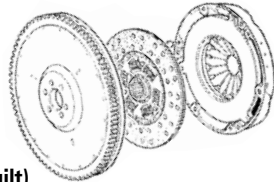


Defender 90 / 110 Heater Controls

33.	RNF412	Heater Control 90	\$ 72.87
34.	RNC783	Control Cable	\$ 8.49
35.	RNF211	Fastener Assembly	\$ 19.95
36.	RNC703	Fastener for Cable Housing	\$ 0.39
37.	RNE333	Coolant Control Cable	\$ 16.95
38.	RNC931	Air Flow Control Cable	\$ 5.72
39.	RNE298	Control Knob	\$ 4.74
40.	RNE346	Set Screw	\$ 0.95
41.	RNE331	Label	\$ 4.49
42.	RNE332	Label	\$ 3.95
43.	RNA911	Retaining Clip	\$ 1.99
44.	RNF268	Set Screw	\$ 0.40
45.	RNE750	Bulb for Green Interior Switch	\$ 2.45

Flywheel & Clutch

RNC602	2.25 Litre Petrol Series IIA, III	\$ 211.95
RNC176	Ring Gear only	\$ 98.49
RNC714	Bushing	\$ 3.45
RNC159	Locating Dowel (3 required).....	\$ 4.89
RNE102	3.9 Litre Petrol Defender 90,110	\$ 299.95
RNC653	Ring Gear only	\$ 113.95
RNC668	Locating Dowels (3 required).....	\$ 5.19



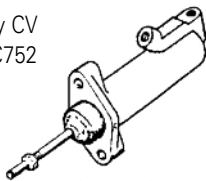
Clutch Plates (new, not rebuilt)

RNC546	9" Driven Plate, Series II, IIA, thru 1966	\$ 87.50
RNE171	9.5" Driven Plate, Series IIA.....	\$ 84.95
RNE170	Series III	\$ 92.50
RNE220	10" Driven Plate, Defender 90, 110, 5 Speed	\$ 224.95
RNC547	9" Pressure Plate, Series I, II, IIA thru 1966	\$ 183.59
RNC467	9.5" Pressure Plate, Series IIA, Genuine.....	\$ 171.95
PLC467	9.5" Pressure Plate, Series IIA, ProLine.....	\$ 134.95
RNC486	9.5" Pressure Plate, Series III	\$ 97.95
RNC485	10" Pressure Plate, Series III V8, 90, 110 V8.....	\$ 194.95
TLS33	Clutch Alignment Tool 4 cyl.....	\$ 5.19

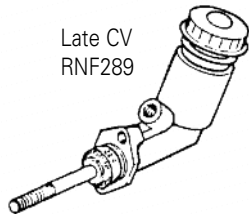
Clutch Kit (driven plate, pressure plate, throwout bearing)

RNB372	Complete kit for Series III	\$ 219.95
--------	-----------------------------------	-----------

Early CV
RNC752

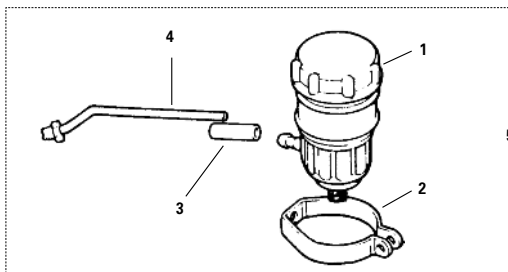


Late CV
RNF289



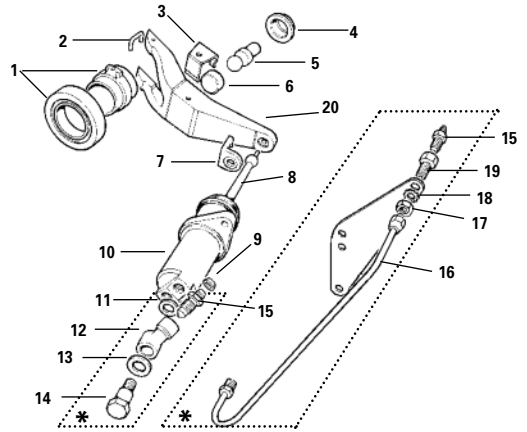
Clutch Master Cylinders

RNC752	Early CV Type, Series II, IIA thru 1968.....	\$ 102.98
PLC752	Early CV Type, ProLine.....	\$ 79.95
RNF289	Late CV Type with integral fluid reservoir, 1969 on	\$ 92.99
RNF289	3.9, 90, 110	\$ 92.99
PLF289	3.9, 90, 110, ProLine.....	\$ 69.95
RNC720	Rebuild Kit for all CV Master Cylinders.....	\$ 15.59
RNF290	Cap for Late CV Master Cylinder	\$ 8.50



Clutch Reservoir Update Kit

1.	RNC575	Reservoir, Series II, IIA, thru 1968, New plastic type requires new lines	\$ 168.59
2.	PLC732	Bracket for Reservoir	POA
3.	RNC434	Rubber Connector.....	\$ 5.89
4.	RNC514	Metal Line, Brake Master to Rubber	\$ 24.95
	RNC418	Connector Line, Reservoir to Master Cylinder, Series II, IIA thru 1968.....	\$ 14.59
5.	RNK610	Reservoir Replacement Kit	\$ 179.95



Clutch Withdrawal Mechanism

Series III, 90, 110

1.	RNE223	Throw-Out Bearing.....	\$ 55.95
2.	RNC483	Plastic Staple.....	\$ 0.79
3.	RNC465	Retainer for Operating Arm	\$ 1.64
4.	RNC466	Retainer Collar.....	\$ 2.64
5.	Fulcrum		
	RNC492	Fulcrum2.25 litre	\$ 14.49
	RNE172	Fulcrum3.9 litre	\$ 10.24
6.	RNC464	Bush for Operating Arm.....	\$ 1.42
7.	RNC493	Retainer for Push Rod.....	\$ 1.59
8.	RNC498	Push Rod for Slave Cylinder.....2.25 litre	\$ 5.75
	RNC463	Push Rod for Slave Cylinder.....3.9 litre	\$ 17.95
9.	RNB013	Dust Cap for Bleeder	\$ 5.49
10.	RNC535	Slave Cylinder, Genuine2.25 litre	\$ 84.95
	PLC535	Slave Cylinder, ProLine.....2.25 litre	\$ 49.95
	RNE222	3.9 litre	\$ 59.95
	RND267	300 Tdi, Up to Gearbox #56A0669086K.....	\$ 12.49
	RND493	300 Tdi, From Gearbox #56A0669087K	\$ 64.49
11.	RNA986	Compression Washer	\$ 0.48
12.	RNB373	"Y" Union Bleeder	\$ 19.95
13.	RNA933	Compression Washer	\$ 0.83
14.	RNC192	End Bolt	\$ 8.84
15.	RNC380	Bleeder Screw.....2.25 litre	\$ 3.89
16.	RNB374	Bleeder Line.....	POA
17.	RNE453	Nut	\$ 0.35
18.	RNF424	Lock Washer	\$ 0.47
19.	RNB375	Adapter	POA
20.	RNC481	Release Lever	\$ 81.95
	RNH396	Release Lever Tdi	\$ 36.49



Update to new style reservoir

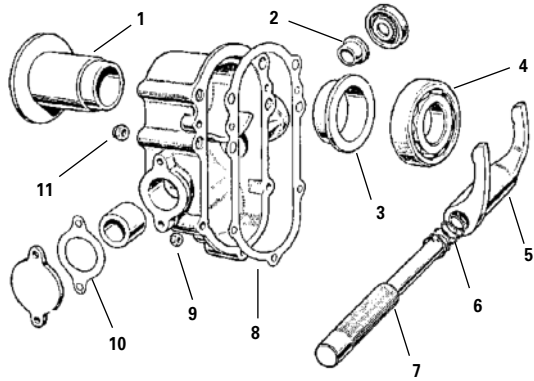
Early Land Rovers were originally fitted with a metal clutch/brake reservoir. Our replacement kit provides Land Rover's new style plastic reservoir, and all connections required for a simple and direct replacement.

RNK610 Reservoir Replacement Kit \$ 179.95

Clutch Lines

RNA909	Adapter between Master Cyl. RNF289 & Line	\$ 10.14
RNE606	Flex HoseSeries II, IIA.....	\$ 24.59
RNF169	Flex HoseLate Series IIA.....	\$ 44.79
RNF210	Flex HoseSeries III (4 Cyl. Only)	\$ 35.95
RNE409	Line, Flex Hose to Slave Cylinder, Series III	\$ 11.95
RNC455	Clutch Pedal Return Spring.....	\$ 3.79
RNC460	Clutch Line, Master Cylinder to Flex Hose Series II, IIA	\$ 15.95
RNE411	Series III	\$ 23.95

CLUTCH



Clutch Withdrawal Mechanism - Series II & IIA

1.	RNA971	Collar (contacts pressure plate)	\$ 14.75
2.	RNB376	Bush for Cross Shaft	\$ POA
3.	RNA972	Bush for Withdrawal Race Sleeve	\$ 32.39
4.	RNF297	Withdrawal Bearing	\$ 62.50
5.	RNB377	Operating Fork	\$ 134.26
6.	RNB593	Spring for Operating Fork	\$ POA
7.	RNB378	Cross Shaft for Clutch Operation	\$ 17.16
8.	Gasket, Withdrawal Housing to Bell Housing		
	RNC723	Suffix A inclusive	\$ 0.79
	RND054	Suffix B onwards	\$ 0.75
9.	RNB994	1/4" BSF Nut	\$ 0.52
10.	RNC722	Gasket, Cover Plate to Housing	\$ 1.50
11.	RNB379	5/16" BSF Nyloc Nut	\$ 0.99

Clutch Slave Cylinders

RNB599	Series II, IIA, Genuine	\$ 129.95
PLB599	Series II, IIA, ProLine	\$ 69.95
RNC535	Series III, 2.25 litre, Genuine	\$ 84.95
PLC535	Series III, 2.25 litre, ProLine	\$ 49.95
RNE222	3.9 litre	\$ 59.95

Rebuild Kit for Slave Cylinder

RNC719	2.25 litre, Series II, IIA, III 4.0 Cyl	\$ 10.49
RNC917	3.9 litre, Series III V8, 90, 110	\$ 19.95



Warning

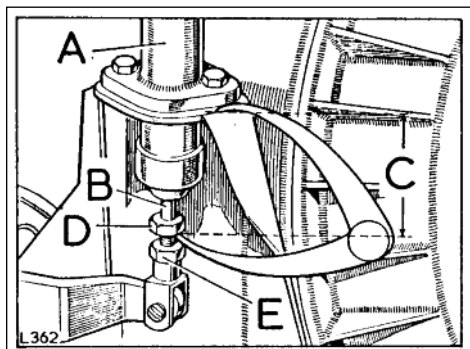
To protect rubber seals in your Land Rovers hydraulic system use only Lucas brand or Castrol LMA brand fluid.

Lucas Brake Fluid

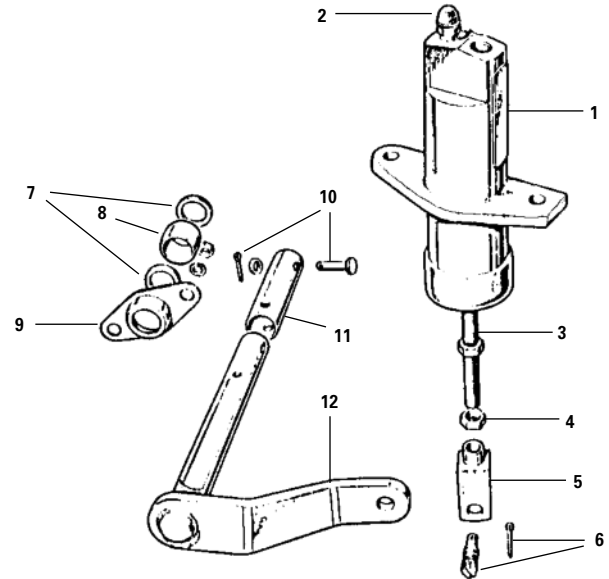
GBF4250	250 ml	\$ 4.00
GBF4500	500 ml	\$ 7.00
GBF4100	1 litre	\$ 12.00



Set Adjustment for Series IIA Slave Cylinder



- A Slave cylinder
- B Push rod
- C 2 7/8" (73.4mm)
Check dimension with calipers as shown
- D Nut must be at end of push rod thread
- E Lock nut for push rod.



Clutch Slave Cylinder - Series II & IIA

(Located at Bell Housing area)

1.	RNB599	Slave Cylinder, Genuine	\$ 129.95
	PLB599	Slave Cylinder, ProLine	\$ 69.95
2.	RNC380	Bleed Screw	\$ 3.89
3.	RNC293	Push Rod	\$ 15.29
4.	RNS034	Lock Nut	\$ 0.75
5.	RNB638	Clevis for Push Rod	\$ 3.99
6.	RNA932	Clevis Fixing Pin	\$ 16.95
7.	RNA946	Felt Ring for Spherical Bushing	\$ 0.44
8.	RNC733	Spherical Bush	\$ 18.59
9.	RNB380	Housing for Spherical Bush	\$ 10.35
10.	RNC290	Pin for Cross Shaft (two required)	\$ 8.49
11.	RNC403	Connecting Tube	\$ 51.95
12.	RNC294	Operating Lever 2.25 litre	\$ 21.49

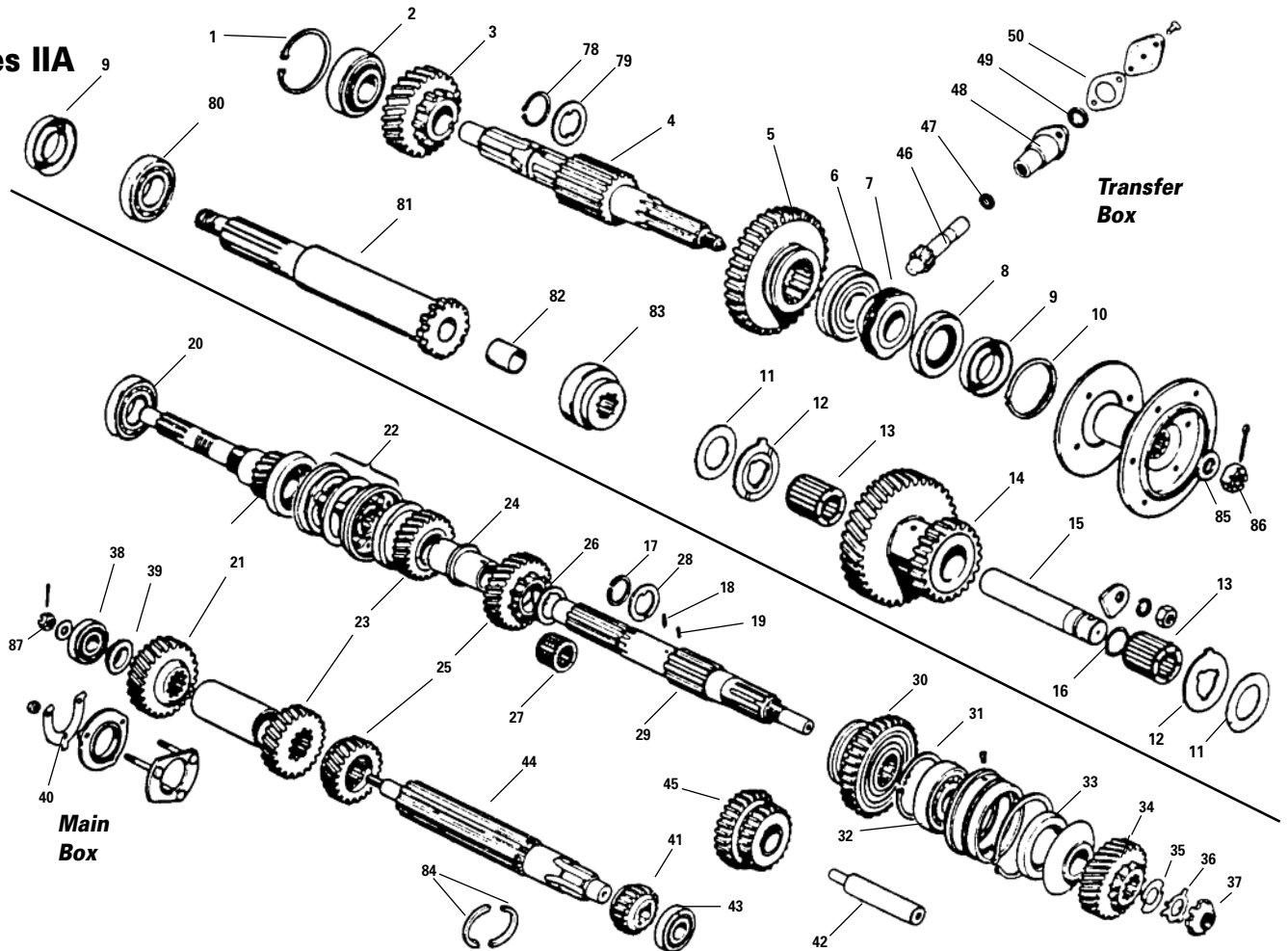
Boot for Cross Shaft

RNC371	Seals Cross Shaft to Bell Housing	\$ 10.94
--------	-----------------------------------	----------



Rover ready.

Series IIA

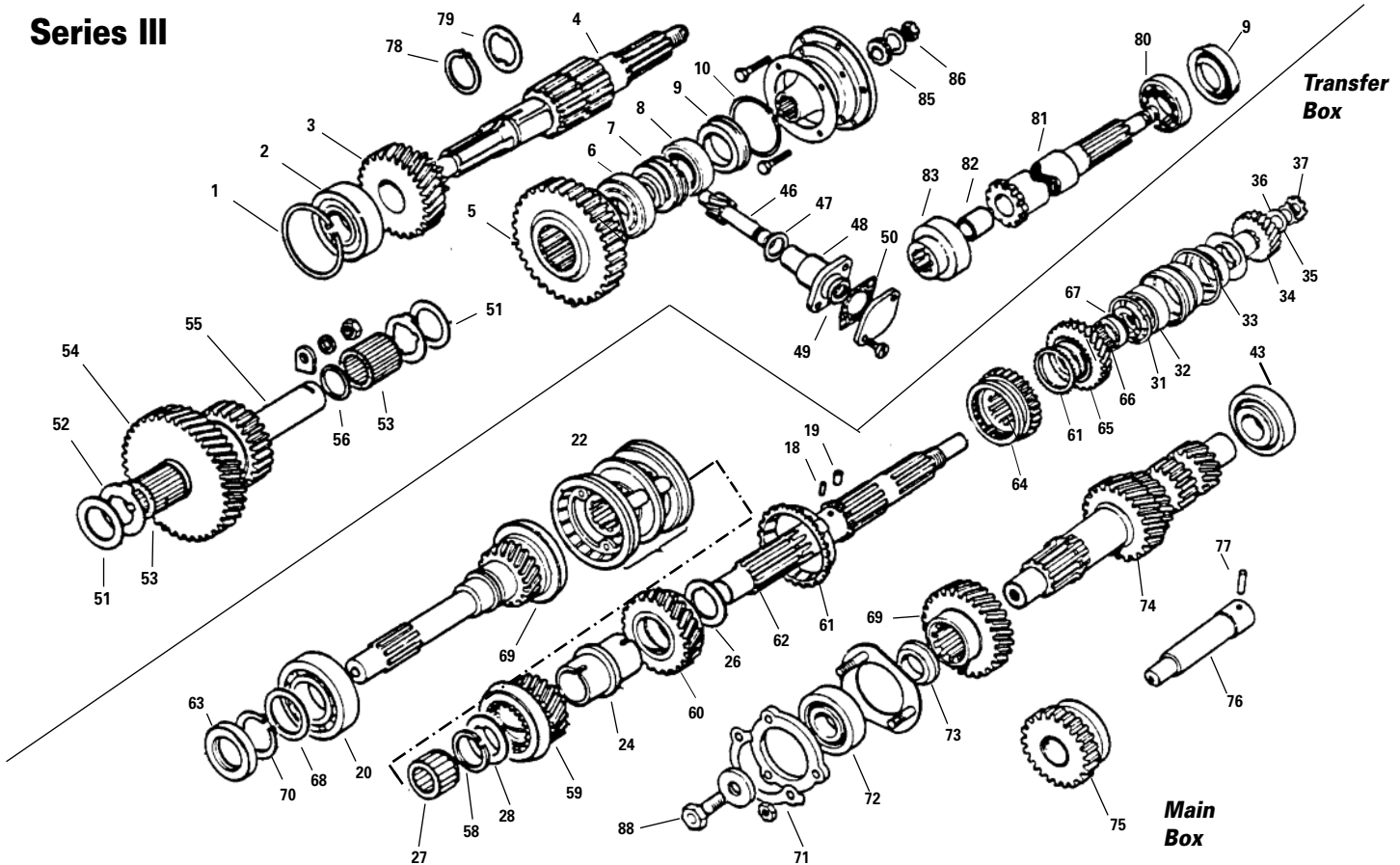


Transmission Parts - Series II, IIA & III

When ordering transmission parts, it is very important that you know the suffix letter of your gearbox, especially Series II & IIA models. The suffix letter is stamped on the right side of the selector cover on the top of the main case. There will be a serial number with a letter after or below it. We just need the letter. (Land Rovers produced prior to 1960 will not have a suffix letter. Suffix A applies when ordering parts for gearboxes with no suffix letter).

1.	RNC731	Circlip for Output Shaft's Front Bearing.....	\$ 3.34
2.	RNA942	Bearing for Front of Output Shaft.....	\$ 32.50
3.	RNA947	High Gear Wheel	\$ 94.95
4.	RNC541	Output Shaft	\$ 114.45
5.	Low Gear Wheel		
	RNB381	Up to suffix B.....	\$ POA
	RNC281	Suffix C on	\$ 108.19
6.	RNC730	Bearing for Rear of Output Shaft.....	\$ 59.95
7.	RNC318	Speedo Drive Worm	\$ 46.39
8.	RNE168	Output Oil Seal.....Front or Rear..	\$ 5.75
9.	RNB501	Mud Shield Flange	\$ 4.99
10.	RNA943	Circlip	\$ 1.82
11.	Shim for Intermediate Gear		
	RNA992	Suffix A	\$ 2.59
	RNC399	Suffix B on	\$ POA
12.	Thrust Washer		
	RNB382	Suffix A	\$ POA
	RNC229	Suffix B on	\$ 4.55
13.	Roller Bearing for Intermediate Shaft		
	RNA954	Suffix A	\$ 50.96
	RNC597	Suffix B on	\$ 11.99
14.	Intermediate Gear Cluster		
	RNA955	Suffix A	\$ 102.96
	RNB383	Suffix B	\$ POA
	RNC282	Suffix C on	\$ 166.29
15.	Intermediate Shaft		
	RNB384	Suffix A	\$ 82.16
	RNC561	Suffix B on	\$ 70.95
16.	Sealing Ring		
	RNB610	Suffix A	\$ 0.42
	RNC275	Suffix B on	\$ 1.75
17.	RNE558	Locking Ring, Mainshaft	\$ 1.79
18.	RNE562	Pin for Mainshaft Distance Sleeve	\$ 1.25
19.	RNC670	Pin for Thrust Washer.....	\$ 0.45
20.	RNC381	Bearing for Primary Pinion	\$ 38.95
21.	Primary Pinion		
	RNB385	Suffix A & B	\$ 149.95
	RNC321	Suffix C on, Non-Genuine	\$ 149.95
22.	RNE167	3rd & 4th Synchronizer Assembly	\$ 192.95
23.	RNB554	3rd Gear Mainshaft/Layshaft	\$ 199.92
24.	RNE180 Distance Sleeve, Mainshaft		
		Sold in halves, replaces 1 piece	
		distance sleeve	\$ 42.95
	RNE181	Distance Sleeve #2 Mainshaft.....	\$ 18.49
25.	RNB553 2nd Gear Mainshaft/Layshaft		
		Suffix A, B, C	\$ 499.00
	RNC610	Suffix D on	\$ 164.95

Series III



26. Thrust Washer, 2nd Gear	RNC254	10.79 mm (0.425).....	Suffix B on	\$ 9.36			
RNB604	3.18 mm (0.125)	\$ 24.95	RNC255	11.31 mm (0.450).....	Suffix B on	\$ 14.95	
RNB605	3.25 mm (0.128)	\$ 24.99	40. Lock Washer	RNB388	Suffix B on	\$ 1.56	
RNB606	3.30 mm (0.130)	\$ 18.07	41. 1st Gear Layshaft	RNC155	Suffix A & B ...	\$ 31.15
RNB607	3.43 mm (0.135)	\$ 15.95	RNC190	Suffix C on	\$ 42.95	
27. RNC669	Roller Bearing between		42. Reverse Shaft	RNB389	Suffix A & B ...	\$ POA
	Primary Pinion & Mainshaft	\$ 10.95	RNC408	Suffix C on	\$ 154.98	
28. RNE560	Thrust Washer, 3rd Gear		43. RNE537	Rear Layshaft Bearing.....	\$ 46.49		
	3.18 mm (0.125)	\$ 17.50	44. RNB390	Layshaft.....	Suffix A	\$ 159.95	
RNF293	3.25 mm (0.128)	\$ 19.95	PLB391	Suffix B & C	\$ 99.95		
RNC178	3.30 mm (0.130)	\$ 19.95	PLC379	Suffix D on	\$ 79.95		
RNA977	3.43 mm (0.135)	\$ 20.59	45. RNC727	Reverse Gear Assembly.....	Suffix A & B ...	\$ 325.95	
29. RNB592	Mainshaft	\$ 174.95	RNC407	Suffix C on	\$ 208.95		
30. PLB386	1st Gear Mainshaft Suffix A, B, ProLine.....	\$ 69.95	46. RNE164	Speedo Pinion	\$ 69.95		
RNC191	Suffix C on	\$ 103.95	47. RNB610	Sealing Ring	\$ 0.42		
31. RNC780	Circlip,		48. RNB614	Speedo Pinion Sleeve	\$ 14.56		
	Mainshaft Ball Bearing to Housing	\$ 3.38	49. RNA922	Oil Seal.....	\$ 3.39		
32. RNA916	Ball Bearing, Mainshaft.....	\$ 24.95	50. RNB609	Gasket.....	\$ 0.99		
33. RNB502	Oil Seal.....	\$ 5.75	51. RNC399	Shim for Intermediate Gear	\$ POA		
34. RNA948	Mainshaft Gear	\$ 72.50	52. RNC229	Thrust Washer	\$ 4.55		
35. RNC154	Shim.....	\$ 1.25	53. RNC597	Roller Bearing.....	\$ 11.99		
36. RNA940	Lock Washer	\$ 0.44	54. RNC282	Intermediate Gear Cluster	\$ 166.29		
37. RNA941	Nut	\$ 8.59	55. RNC561	In termediate Shaft	\$ 70.95		
38. RNC484	Bearing, Front Layshaft Suffix A.....	\$ 31.59	56. RNC275	Sealing Ring	\$ 1.75		
RNC252	Suffix B on	\$ 19.95	57. RNC281	Low Gear Wheel.....	\$ 108.19		
39. Layshaft Distance Piece			58. RNE558	3rd Gear Lock Ring	\$ 1.79		
RNB527	7.95 mm (0.312).....	Suffix A	\$ 5.73	59. RNC378	3rd Gear	\$ 116.95	
RNB528	9.35 mm (0.332).....	Suffix A	\$ 7.13	60. RNC537	2nd Gear	\$ 93.49	
RNB529	9.39 mm (0.352).....	Suffix A	\$ 13.47	61. RNC538	Synchronizer Ring	\$ 11.95	

continued on next page...

Transmission Parts - Series II, IIA & III

62.	RNC494	Mainshaft	\$ 149.95
63.	RNC462	Oil Seal for Primary Shaft	\$ 7.99
64.	RNC650	Reverse Slider Assembly	\$ 130.95
65.	RNC536	1st Gear	\$ 94.29
66.	RNC496	1st Gear Bushing	\$ 32.95
67.	RNC497	1st Gear Thrust Washer	\$ 51.99
68.	RNC558	Shims for Primary Pinion 2.00 mm (0.079)	\$ 4.95
	RNC557	2.05 mm (0.081)	\$ 11.95
	RNC556	2.10 mm (0.083)	\$ 4.95
	RNC555	2.15 mm (0.085)	\$ 16.62
69.	RNC635	Primary Pinion (4th Gear) with Layshaft Constant Gear	\$ 290.95
70.	RNA927	Circlip	\$ 1.95
71.	RNB388	Lock Washer	\$ 1.56
72.	RNC252	Front Bearing for Layshaft	\$ 19.95
73.	RNC254	Layshaft Distance Piece 10.79 mm (0.425)	\$ 9.36
74.	RNC488	Layshaft Cluster	\$ 215.95
75.	RNC491	Reverse Gear Assembly	\$ 40.59
76.	RNC543	Idler Shaft	\$ 67.95
77.	RNC542	Locating Pin	\$ 0.42
78.	RNC941	Circlip	\$ 1.04
79.	RNC729	Thrust Washer for High Gear Wheel	\$ 9.95
80.	RNA936	Bearing for Front Output Shaft, Series I-III	\$ 30.00
81.	RNB539	Front Output Shaft Assembly, Series I-III	\$ 159.00
82.	RNC714	Bush for Shaft, Series I-III	\$ 3.45
83.	RNB392	Locking Dog, 4 Wheel drive, Series I-III	\$ 39.95
84.	RNB511	Layshaft Retainer, Suff. A-C	\$ 10.35
85.	RNC656	Felt Seal	\$ 4.29
86.	RNB716	Castle Nut Rear Output	\$ 3.75
87.	RNC251	Castle Nut Front Layshaft	\$ 13.00
88.	RNH397	Bolt 7/16" x 1 1/4"	\$ 0.75

Gearbox Seals Series II, IIA & III

RNB626	1/2 & 3/4 Selector Shaft Seals each:.....	\$ 1.75
RNB627	Reverse Selector Shaft Seal	\$ 6.95
RNC517	Detent Seal (2 required)	\$ 1.59
RNE168	Front & Rear Output Shaft Seal	\$ 5.75
RNC656	Felt Seal for Output Shaft	\$ 4.29
RNC404	Gasket, Oil Shield, Handbrake	\$ 0.69
RNF409	Low Range Selector Shaft Seal	\$ 1.45
RNB601	4WD Selector Pin O-Ring	\$ 1.04
RNB502	Transmission/Transfer Case Seal	\$ 5.75

Intermediate Shaft Seal

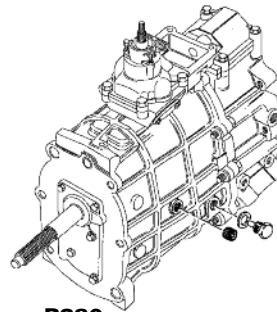
RNB610	Series I, II & Suff. A Series IIA	\$ 0.42
RNC275	Series IIA Suff. B on & Series III	\$ 1.75
RNB610	Speedometer O-Ring	\$ 0.42
RNA922	Speedometer Oil Seal	\$ 3.39
RNC725	Series I, II, IIA Cross Shaft Oil Seal	\$ POA
RNC462	Series III Primary Pinion Seal	\$ 7.99
RNF453	Stainless Steel Repair Sleeve / Output Flange	\$ 39.95

Complete Transmission Units With Transfer Box

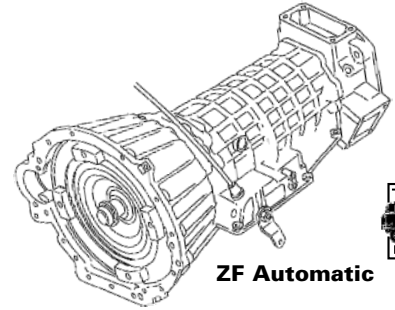
RNC637	Series IIA Rebuilt Unit	\$1795.00	
RNC495	Series III Suff. A	Rebuilt Unit ...\$1895.00	
RNE583	Series III Suff. B onward	Rebuilt Unit ...\$1895.00	
RNE582	Series III Suff. B onward	New	\$8195.00

Transmission Units - Defender 90, 110

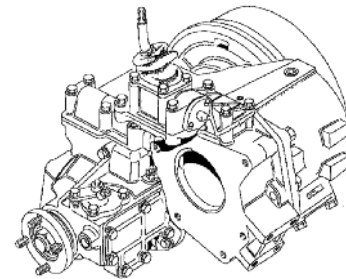
RNH398	'93 Def 110, '94 Defender 90	LT 77	\$ 2995.00
RNH375	'93 Def 110, 94-95 Defender. 90	R380, Rebuilt	\$ 2165.00
RNH399	'97 Def 90	ZF auto, Rebuilt	\$ 2995.00



R380



ZF Automatic



LT230



Transfer Boxes - Defender 90, 110

RNT015	LT230, Rebuilt 1.214:1 D90 Manual	\$1595.00
RNH400	LT230, Rebuilt 1.214:1, '97 D90 Auto	\$1995.00
RNH401	LT230, Rebuilt 1.410:1, '93 Def 110"	\$1895.00

Transmission Mount with Lock Nuts

RNE401	Series II, IIA, III 2.25,	2.6 petrol	\$ 8.87
RNE400	2.25 diesel	\$ 15.95
RNF345	90, 110 up to SA966426		\$ 36.95
RNE236	From SA966427		\$ 21.89

Complete Gasket Set Includes the following gaskets listed below. (Does not include oil seals).

RNC605	Series II, IIA, III 2.25, 2.6 petrol	\$ 34.95
RNB393	Bell Housing Gasket, Main Case	\$ 1.69
RNB394	Bell Housing Gasket	\$ 2.34
RNB395	Main Case to Transfer Box	\$ 1.30
RNB396	PTO Cover Gasket	\$ 0.80
RNB397	Transfer Case Sump Gasket	\$ 6.19

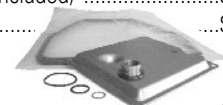
Defender 90, 110 ZF Auto Service Kit

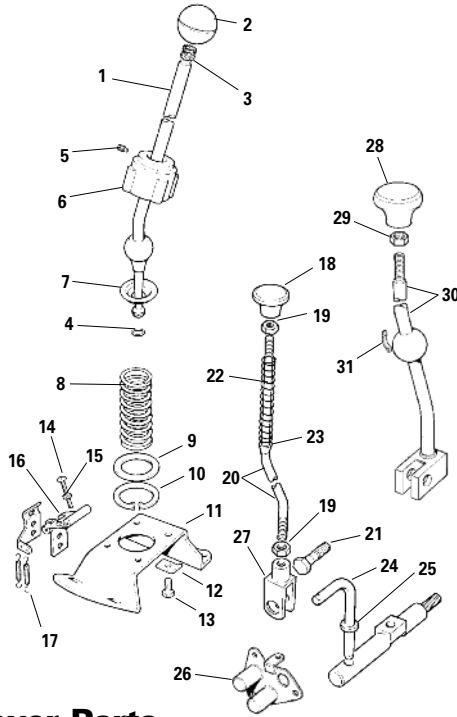
RNK312	Genuine	\$ 69.95
PLK312	ProLine (washer not included)	\$ 47.50
RNH630	Washer for PLK312	\$ 0.74

Transfer Case Sump Gasket

2.25 Petrol and Diesel

RNB397	Series IIA, III	\$ 6.19
--------	-----------------------	---------





Shift Lever Parts

Series II, IIA, III, 2.25 & 2.6 litre

Main Lever

1.	RNT014	2.25 litre, LHD.....	\$ 93.95
	RNE177	2.6 litre, LHD.....	\$ 68.49
2.	Knob		
	RNT021	Series II, IIA, III round press-on type, as shown, requires bush RNT022	\$ 5.95
3.	RNT022	Bush for Round Knob.....	\$ POA
4.	RNE163	O-Ring for Lever Base	\$ 1.45
5.	RNC179	Locating Pin	\$ 3.19
6.	RNA959	Lever Housing.....	\$ 44.95
7.	RNA960	Spherical Seat.....	\$ 1.59
8.	RNB398	Spring for Main Lever	\$ 2.08
9.	RNA961	Special Washer.....	\$ 4.95
10.	RNA962	Circlip for Main Lever.....	\$ 0.99
11.	RNA985	Lever Base.....	\$ 23.50
12.	RNB574	Locker	\$ 2.03
13.	RNC726	Fixing Bolt for Lever Housing	\$ 1.29
14.	RNC686	Adjusting Screw.....	\$ 0.45
15.	RNF215	Lock Nut.....	\$ 0.33
16.	RNC160	Reverse Gate	\$ 25.95
17.	RNA973	Lock-out Springs for Reverse Gate.....	\$ 2.65

4WD High Range Lever Parts All Models

18.	RNT013	Yellow Knob	\$ 5.49
19.	RNB994	Yellow Knob Lock Nut.....	\$ 0.52
20.	RNB399	Rod.....	\$ 13.25
21.	RNB400	Pivot Bolt.....	\$ 2.59
22.	RNC400	Selector Rod Spring	\$ 3.09
23.	RNA991	Selector Rod Spring Base.....	\$ 2.69
24.	RNA982	Right Angle Selector Pin.....	\$ 3.95
25.	RNB601	Sealing Ring for selector pin.....	\$ 1.04
26.	RNB600	Dust Cover for output shafts.....	\$ 29.95
27.	RNA930	Yoke for high range lever	\$ 5.15

4WD Low Range Lever Parts All Models

28.	RNA956	Red Knob	\$ 5.99
29.	RNE451	Lock Nut for knob	\$ 0.84
30.	RNE197	Lever	\$ 65.95
31.	RNB540	Anti-Rattle Spring for lever.....	\$ 4.24

Selector Shaft Parts

Series IIA

RNB401	1st & 2nd Selector Fork.....	\$ POA
RNB626	Selector Seal.....	\$ 1.75
RNB984	Detent Spring.....	\$ 1.29
RNC919	Detent Ball	\$ 0.75
RNE559	3rd & 4th Selector Fork	\$ 144.95
RNB626	Selector Seal.....	\$ 1.75
RNB984	Detent Spring.....	\$ 1.29
RNC919	Detent Ball	\$ 0.75
RNB402	Reverse Selector Fork, available used only	\$ 39.78
RNB627	Selector Seal.....	\$ 6.95
RNC398	Detent Spring.....	\$ 1.95
RNC919	Detent Ball	\$ 0.75
RNA973	Lock Out Spring (2 required).....	\$ 2.65

Series III

RNC489	1st & 2nd Selector Fork.....	\$ 63.49
RNB626	Selector Seal.....	\$ 1.75
RNB984	Detent Spring.....	\$ 1.29
RNC919	Detent Ball	\$ 0.75
RNE559	3rd & 4th Selector Fork	\$ 144.95
RNB626	Selector Seal.....	\$ 1.75
RNB984	Detent Spring.....	\$ 1.29
RNC919	Detent Ball	\$ 0.75
RNC490	Reverse Selector Fork	Suffix A
		\$ 117.95
RNB627	Selector Seal.....	\$ 6.95
RNC398	Detent Spring.....	\$ 1.95
RNA973	Lock Out Spring (2 required).....	\$ 2.65
RNC517	Detent Seal	\$ 1.59



Rovers North is owned and staffed by Land Rover enthusiasts – with expertise and experience to share.

High-Ratio Series IIA, III Transferbox

Ready to bolt in! NOT a Kit.

Re-assembled, ready to bolt in. Includes transmission brake assembly (not shown) Increases your road speed by 32% with no change in low range performance! Eliminates the need for an overdrive for quieter, more reliable road performance. Normal high ratio is 1.148:1, New Hi-Ratio Modified is 0.781:1, low range ratio is unchanged. Entire transferbox assembly is rebuilt including all new bearings, seals and gaskets. *Will not work with external overdrive.*

HRT1002	Rebuilt Hi-Ratio Transfer Box	\$1395.00
---------	-------------------------------------	-----------

STEERING

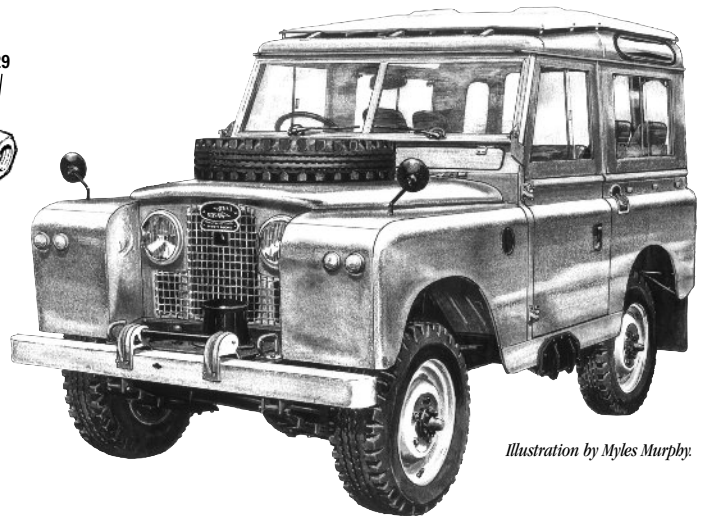
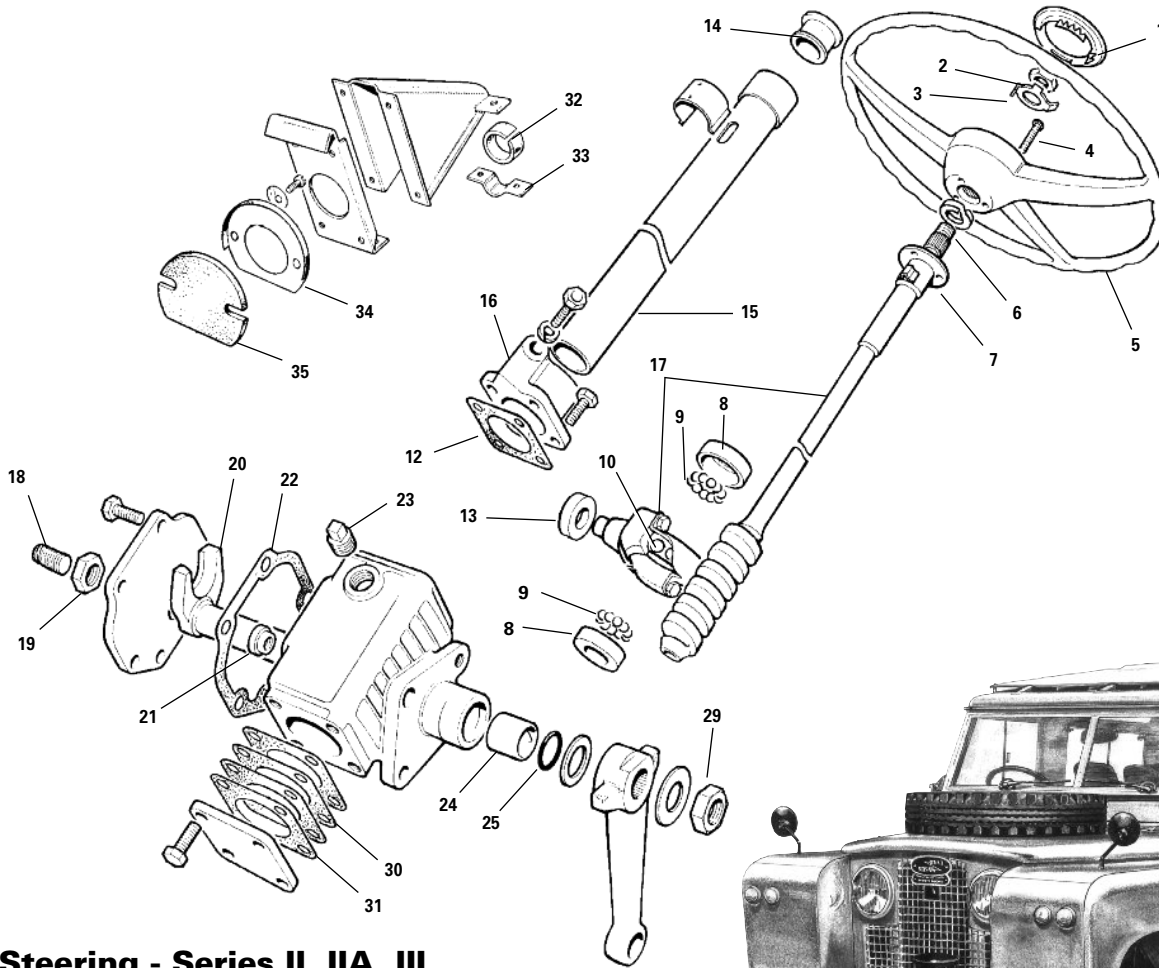


Illustration by Myles Murphy.

Steering - Series II, IIA, III

Steering Column/Box Assembly

RNC358	Series IIA.....	\$1195.00
RNE427	Series III, Genuine	\$ 599.95
PLE427	Series III, ProLine.....	\$ 399.00

Steering Column & Box Assembly

Series II, IIA, III, except 1 Ton

1.	RNC756	Horn Button Series IIA 1968 on.....	\$ POA	
	RNI036	Series III.....	\$ 26.95	
Dust Cover for Horn Contact				
	RNC194	Series IIA Thru '66	\$ POA	
	RNC368	Series IIA Late '67 on	\$ POA	
	RNC223	Slip Ring for Inner Contact.....Series IIA.....	\$ 19.24	
2.	RNC369	Special Nut for Inner Column	\$ 8.19	
3.	RNE421	Lock Washer for Nut.....	\$ 1.04	
4.	RNC695	Screw for Securing Canceler to Wheel.....	\$ 0.52	
5.	RNS113	Steering Wheel, Series IIA, III, Late '67 on	\$ 72.95	
	RNC193	Wire Spoked Steering Wheel, Early Ser II, IIA	\$ 699.95	
6.	RNE408	Spring Washer	\$ 6.69	
7.	RNB403	Canceler for Directional.....Series III	\$ 6.19	
8.	RNB621	Adjustable Ball Race	\$ 43.95	
9.	RNC918	9/32" Steel Balls(20 used)	\$ 1.95
10.	RNC919	3/8" Steel Balls(12 used)	\$ 0.75
12.	RNB404	Gasket Column to Box.....	\$ 3.69	
13.	RNB405	Roller for Main Nut	\$ 10.65	
14.	RNE592	Bearing for Column Top, Late IIA & Series III	\$ 20.95	
15.	RNC611	Outer Column, Ser IIA, Late '67 on	\$ 50.99	
	RNC566	Series III.....	\$ 173.95	

16.	RNC643	Base for Outer Column.....Series III	\$ POA	
17.	Inner Column (includes main nut assembly.)			
	RNC799	Ser IIA Late '67 on	\$ 624.95	
	RNC567	Series III	\$ 249.95	
18.	RNB589	Adjuster Screw for Rocker Shaft.....	\$ 13.25	
19.	RNB590	Lock Nut for Adjuster Screw	\$ POA	
20.	RNE429	Rocker Shaft	Series II, IIA, III.. \$ 229.95	
21.	RNC642	End for Rocker Shaft	Series III	\$ 19.24
22.	RNC212	Gasket Rocker Cover to Box	\$ 4.99	
23.	RNB622	Fill Plug.....	\$ 8.06	
24.	RNB587	Bush for Rocker Shaft	\$ 11.39	
25.	RNB619	O-Ring Seal	\$ 0.79	
29.	RNE454	Lock Nut for Drop Arm	\$ 5.45	
30.	Joint Washer			
	RNB620	0.002 in.	\$ 3.54	
	RNC230	0.010 in.	\$ 4.53	
31.	RNB588	Gasket for Bottom Cover.....	\$ 2.09	
32.	RNB966	Rubber Strip for Clamp	\$ 1.89	
33.	RNB921	Clamp for Steering Column ...Series II, IIA.....	\$ 5.95	
34.	RNB406	Cover for Steering Column Seal	\$ 9.88	
35.	RNE271	Seal for Steering Column.....Series II, IIA.....	\$ 3.49	
	RNE252	Seal for Steering Column.....Series III	\$ 8.45	

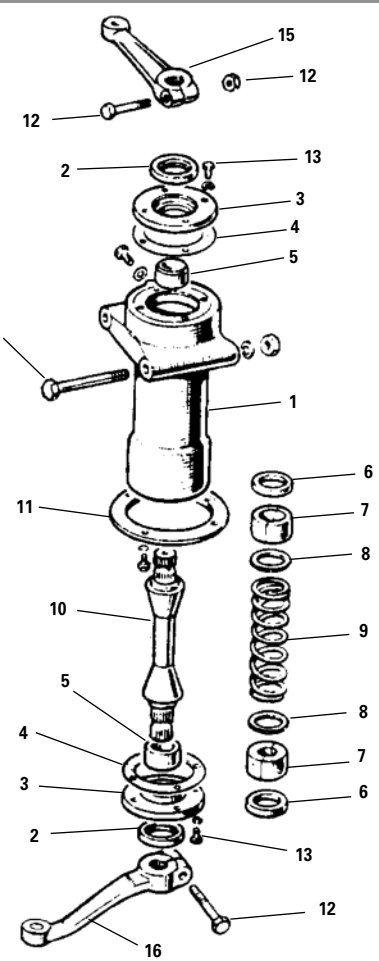
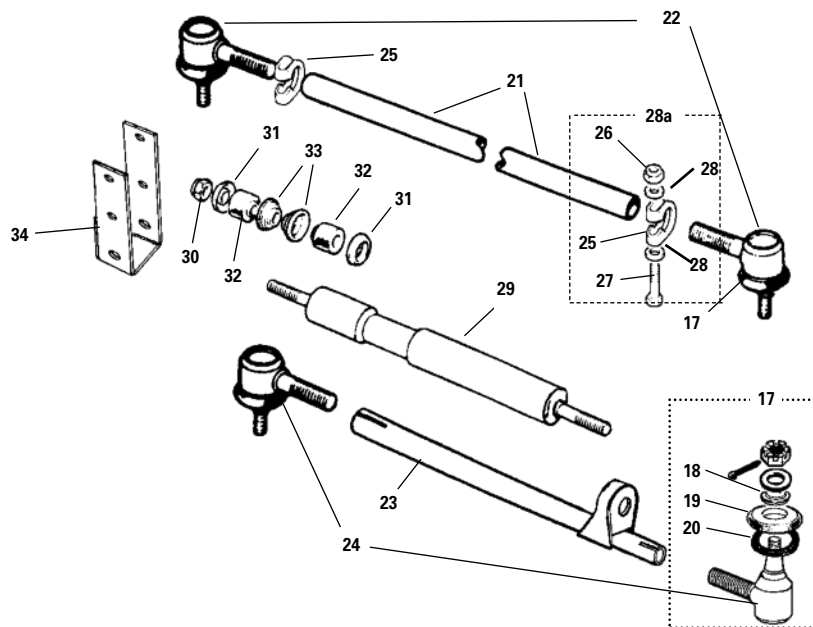
Steering Relay Unit

Series I, II, IIA, III

Mounts in front Chassis member. Requires regular lubrication with 90wt oil.

- 1. Steering Relay Unit, complete assembly RNE493 \$ 155.95
- 2. Oil Seal for Relay RNA923 \$ 3.99
- 3. Retainer for Oil Seal (early-as shown) RNC774 \$ POA
- Retainer for Oil Seal (late) RNA966 \$ 114.95

- 4. Gasket for Retainer RNC775 \$ 1.34



- 5. RNC064 Distance Piece for Shaft (all models pre-1962) ..\$ POA
- 6. RNB526 Thrust Washer for Shaft (early-as shown)\$ 9.88
- RNC667 Thrust Washer for Shaft (Late)\$ 35.95
- 7. RNC304 Split Bush for Housing (four required).....\$ 5.19
- 8. RNA969 Washer for Spring.....\$ 0.95
- 9. RNA968 Spring for Housing.....\$ 4.35
- 10. RNC415 Shaft for Relay.....\$ 61.95
- 11. RNA944 Flange Plate for Securing Relay Bottom.....\$ 5.74
- 12. RNC937 7/16 UNF Bolt for Securing Arms.....\$ 1.05
- RNE477 7/16 Nyloc Nut.....\$ 1.49
- 13. RNB407 Special Bolt for Fixing Retainer to Housing.....\$ 1.30
- 14. RNC936 5/16 UNF Bolt for Securing Relay to Chassis.....\$ 9.79
- RNS034 5/16 Nut.....\$ 0.75
- RNS0375/16 Washer\$ 0.42
- 15. RNC265 Top Relay Arm\$ 75.95
- 16. RNC287 Bottom Relay Arm.....\$ 65.59

- 21. **Steering Track Rod**
RNC243 Connects right wheel to left wheel. Series IIA, III\$ 94.95
- 22. RNC651 Track Rod Assembly
Includes Tie Rod Ends & Clamps. Series IIA, III\$ 176.49

- 23. RNE415 Steering Drag Link Tube Includes damper bracket
Connects steering relay to front wheel.
Series IIA, III\$ 135.95

- 24. **Drag Link Assembly**
RNE581 Includes tie rod ends & clamps with
bracket for factory damper. Series IIA, III\$ 289.95

- 25. RNS076 Steering Clamp\$ 2.69
- 26. RNS075 Clamp Nut.....\$ 0.69
- 27. RNS073 Clamp Bolt\$ 1.35
- 28. RNS074 Washer.....\$ 0.71
- 28a. RNK553 Clamp Kit (includes # 25, 26, 27 & 28).....\$ 4.59

- 29. **Steering Stabilizer** (Optional)
Includes all hardware & bushings for mounting Series IIA, III
- RNS122 Genuine\$ 82.95
- RNA245 Bilstein\$ 85.00
- PLS122 Procomp\$ 39.95
- OMESD11 Old Man Emu.....\$ 69.95
- 30. RNE476 Lock Nut.....\$ 1.00
- 31. RNC331 Concave Washer.....\$ 1.09
- 32. RNC447 Rubber Bushing\$ 2.49
- 33. RNC882 Stepped Washer\$ 2.16

- 34. **Frame Bracket for Factory Dampers**
RNE417 Series III\$ 36.95

17. Tie Rod Ends

Fits all Models, Series I, II IIA, III through axle suffix D. Complete with boot and hardware.

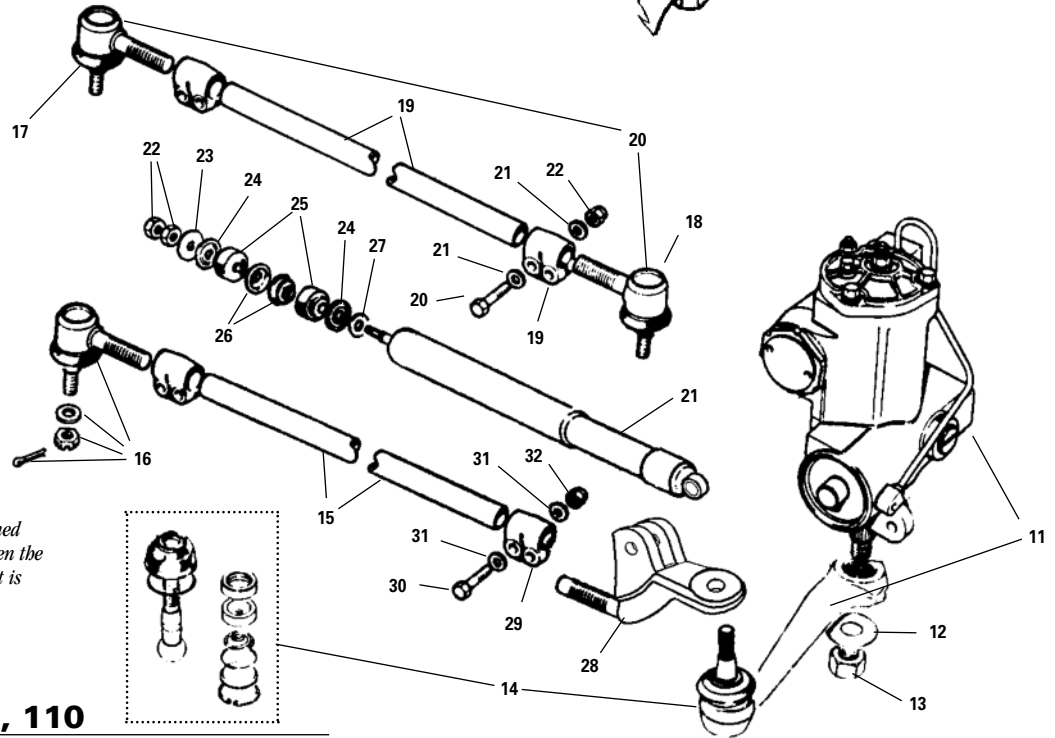
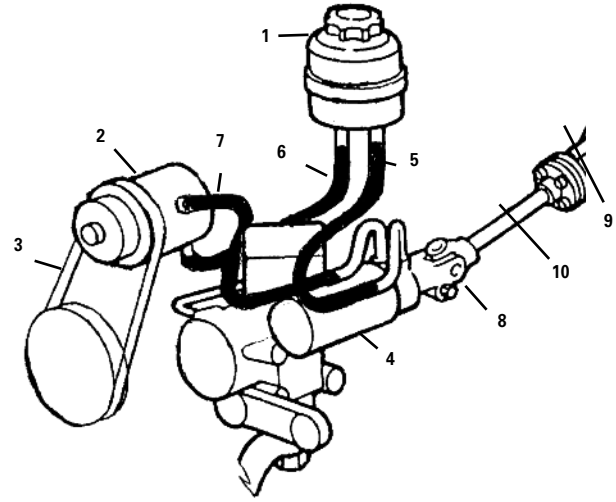
- PLD287 Tie Rod, Early Type Series, LH Thread, ProLine \$15.95
- PLD286 Tie Rod, Early Type Series, RH Thread, ProLine \$15.95
- Fits all early models Series IIA, III, fully threaded non-shouldered.
Complete with boot and hardware.
- RNF204 Tie Rod, RH Thread, Genuine\$ 30.00
- PLF204 Tie Rod, RH Thread, ProLine\$ 19.95
- RNF205 Tie Rod, LH Thread, Genuine\$ 30.00
- PLF205 Tie Rod, LH Thread, ProLine
- 18. RNC724 Small Spring for Boot\$ 0.54
- 19. RNA925 Boot for Tie Rod End\$ 5.59
- 20. RNA926 Large Spring for Boot\$ 2.49

STEERING

Power Steering System

Defender 90/ 110

1.	RNS001	Reservoir, all models.....	\$ 34.95
2.	RNH265	Pump Assembly3.9L.....	\$389.00
	RNS003	Pump Assembly4.0L.....	\$634.00
3.	RNC004	Power Steering Belt.....3.9L.....	\$ 19.49
	RNS006	Power Steering Belt.....4.0L.....	\$ 39.95
4.	RNS004	Steering Box, New.....	\$729.95
5.	RNH402	Hose, steering box to reservoir.....	\$ 53.88
6.	RNH403	Hose, reservoir to pump to SA961767.....	\$ 69.95
	RNH404	Hose, reservoir to pump from VA on.....	\$107.95
7.	RNS008	Hose, pump to box, Defender 110.....	\$ 94.29
	RNH405	Hose, pump to box, Defender 90.....	\$ 48.50
8.	RNS017	U-Joint, lower.....	\$ 56.95
9.	RNS010	U-Joint, upper.....	\$ 74.99
10.	RNH406	Steering shaft.....	\$ 0.79

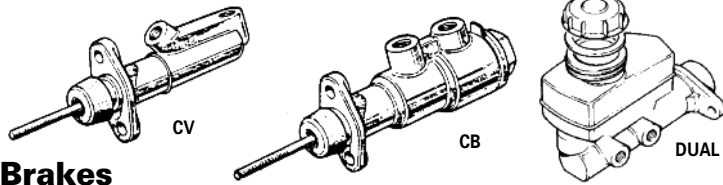


**Core charge on Reconditioned Components is refunded when the worn rebuildable component is returned in original box.*

Steering - Defender 90, 110

11.	PLS004A	Power Steering Box Assembly New w/steering arm and ball joint.....	\$ 549.95
	RNF322	Seal Kit, Power Steering Box.....	\$ 149.95
12.	RNS078	Locker.....	\$ 3.29
13.	RNS083	Nut.....	\$ 9.25
14.	RNS084	Ball Joint Kit For Drop Arm.....	\$ 68.95
15.	RNC876	Drag Link Tube.....	\$ 59.95
	RNC876HD	Drag Link Tube, heavy duty.....	\$ 154.95
16.	RNS069	Drag Link Ball Joint Kit, RH Thread, Genuine.....	\$ 26.68
	PLS069	Drag Link Ball Joint Kit, RH Thread, ProLine.....	\$ 19.95
17.	RNS069	Track Rod Ball Joint Kit, RH Thread, Genuine.....	\$ 26.68
	PLS069	Track Rod Ball Joint Kit, RH Thread, ProLine.....	\$ 19.95
18.	RNS070	Track Rod Ball Joint Kit, LH Thread.....	\$ 26.68
19.	RNE448	Track Rod Tube.....	\$ 56.95
	RNE448HC	Track Rod High Clearance D90/110 Heavy Duty.....	\$ 209.95
20.	RNE449	Track Rod Assembly, Genuine.....	\$ 119.95
	PLE449	Track Rod Assembly, ProLine.....	\$ 82.50
21.	Steering Stabilizer Assembly		
	RNF171	(Includes all hardware and bushings for mounting).....	\$ 92.49
	RNA235	Bilstein.....	\$ 85.00
	OMESD32	Old Man Emu.....	\$ 69.95
22.	RNC810	Nut.....	\$ 1.24
23.	RNF427	Flat Washer.....	\$ 0.74
24.	RNC758	Stem Washer.....	\$ 2.75
25.	RNC447	Rubber Bushing.....	\$ 2.49
26.	RNC882	Stepped Washer.....	\$ 2.16
27.	RNC573	Flat Washer.....	\$ 1.19
28.	RNE442	Cross Rod Eye End.....	\$ 97.95
29.	RNS076	Steering Clamp.....	\$ 2.69
30.	RNS073	Steering Bolt.....	\$ 1.35
31.	RNX034	Washer.....	\$ 0.73
32.	RNS075	Steering Nut.....	\$ 0.69

STEERING



Brakes

Master Cylinders

	Genuine Land Rover	Lucas / Girling
88"		
C B Series II, IIA	RNC228 \$ 239.95	
C V Series IIA '67 & '68, Negative earth only	RNC752 \$ 102.98	PLC752 \$ 79.95
Dual Master Cylinder, 88", 1969 on	RNC454 \$ 309.95	PLC454 \$ 212.95
109"		
C B Series II, IIA thru '67	RNC429 \$ 249.95	
C V 1969 on, Series IIA, III for single non-power brake system	RNC753 \$ 159.50	PLC753 \$ 69.95
Single Circuit Power Master Cyl Series III	RNH407 \$ 145.00	
Dual Power Master Cyl Ser III	RNC762 \$ 269.49	PLC762 \$ 219.95
90", 110"	RNF285 \$ 248.59	PLF285 \$ 149.95

Wheel Cylinders

	Genuine Land Rover	Lucas / Girling
88", Series II, IIA, III		
Front Right	RNB535 \$ 69.95	PLB535 \$ 45.00
Front Left	RNB536 \$ 69.95	PLB536 \$ 45.00
Rear Right	RNB537 \$ 71.79	PLB537 \$ 49.00
Rear Left	RNB538 \$ 71.79	PLB538 \$ 49.00

109", 2.25 Litre		
Front Right	RNB542 \$ 46.96	PLB542 \$ 36.05
Front Left	RNB541 \$ 46.96	PLB541 \$ 36.05
Rear Right	RNB535 \$ 69.95	PLB535 \$ 45.00
Rear Left	RNB536 \$ 69.95	PLB536 \$ 45.00

109", 2.6 Litre		
Front Right	RNC600 \$ 66.85	
Front Left	RNC599 \$ 66.85	
Rear Right	RNB535 \$ 69.95	PLB535 \$ 45.00
Rear Left	RNB536 \$ 69.95	PLB536 \$ 45.00

90 all models thru Oct '93		
Rear Right	RNF349 \$ 122.95	PLF349 \$ 77.25
Rear Left	RNF348 \$ 149.95	PLF348 \$ 77.25

110 all models		
Rear Right	RNE635 \$ 103.49	PLE635 \$ 74.95
Rear Left	RNE636 \$ 103.49	PLE636 \$ 74.95

RNC380	Bleed Screws for Wheel Cylinders	\$ 3.89
RNF316	Dust Cap for Bleed Screws	\$ 1.34
RNC196	Red Brake Grease	\$ 4.99

Master Cylinder Rebuild Kits

PLF292	C B 88"	\$ 15.00
RNC720	C V 88"	\$ 15.59
RNC625	C B 109"	\$ 46.95
RNC769	C V 109"	\$ 26.49
RNC770	Dual Master Kit, 88" with Valve Assy. \$	40.95
RNC640	Dual Master Kit, 109" with Valve Assy. \$	46.95
RNF355	90", 110"	\$ 59.95
RNC671	Reservoir Dual Power Replacement Kit \$	48.95
RNF290	Cap for Reservoir	\$ 8.50

Servo Units

RNF314	Servo Unit (Used in conjunction with the dual master cylinder 1969 on..)	\$ 265.95
RNA920	Servo Rebuild Kit (no diaphragm)	\$ 23.40

Early Series II, IIA Brake Fluid Reservoir Replacement Kit - see page 24

Wheel Cylinder Rebuild Kits Genuine Land Rover

Kits contain all the components necessary to rebuild 2 wheel cylinders.

RNB641	88" Front	\$ 24.95
RNB598	88" Rear	\$ 19.95
RNB597	109" Front, 2.25 litre (does 4 wheel cys.)	\$ 44.95
RNC601	109" Front, 2.6 & 3.5 litre (does 4 wh. cyl.)	\$ 33.95
RNB641	109" Rear, 2.25, 2.6 & 3.5 litre axle	\$ 24.95
RNF350	90" Rear	\$ 21.89
RNC803	110" Rear	\$ 18.95

Brake Shoes Sold in Axle Sets - (enough for 2 wheels)

10" Shoes for 88" Series I, II, IIA, III thru June 1980		
RNF320	Front or Rear Axle Set	\$ 182.95
PLF320	Front or Rear Axle Set, ProLine	\$ 34.95

90 all models thru Oct 1993		
RNF320	Rear	\$ 182.95

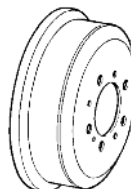
11" Shoes for 109" 2.25 litre, Series I, II, IIA, III		
PLF343	Front Axle Set Bonded, Proline	\$ 34.95
RNF321	Rear Axle Set Riveted, Genuine	\$ 102.44
PLF321	Rear Axle Set Bonded, Proline	\$ 44.95



11" Shoes for 109" 2.6 & 3.5 litre, Series IIA, III		
RNF344	Front (3" wide) Axle Set, Genuine	\$ 164.49
PLF344	Front Axle Set Bonded, ProLine	\$ 79.00
RNF321	Rear Axle Set Riveted, Genuine	\$ 102.44
PLF321	Rear Axle Set Bonded, ProLine	\$ 44.95

11" Shoes for 110 All Models including NAS		
RNF321	Rear	\$ 102.44

Brake Drums



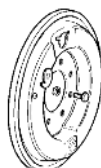
RNC545	88", Series I, II, IIA thru Suff. G	\$ 104.95
PLC545	88", Series I, II, IIA thru Suff. G, ProLine	\$ 49.95
RNC534	88", Oct 1971 thru June 1980	\$ 61.49
PLC534	88", Oct 1971 thru June 1980, ProLine	\$ 49.95
RNC216	109", 2.25 litre, Series II, IIA thru Suff. G	\$ POA
PLC216	109", 2.25 litre, Series II, IIA, ProLine	\$ 54.95
RNC504	109", 2.25 litre, Oct 1971 on	\$ 92.59
RNC233	109", 2.6 litre, Series IIA thru Suff. G Front	\$ 134.95
RNC505	109", 2.6 & 3.5 litre Oct 1971 on Front	\$ 187.49
RNC504	110", 109" All Models Oct 1971 on Rear	\$ 92.59
RNC534	90", All Models thru Oct 1993 Rear, Genuine	\$ 61.49
PLC534	90", All Models thru Oct 1993 Rear, ProLine	\$ 49.95
PLA915	Drum Screws, All Models	\$ 0.46

Brake Backing Plate

All Models thru June 1980

RNC203	88" Left Hand	\$ 159.95
RNC202	88" Right Hand	\$ 169.95

109", 2.25 litre		
RNB556	Left Hand Front	\$ POA
RNB557	Right Hand Front	\$ 182.16
RNC271	Left Hand Rear 88" or 109"	\$ 193.95
RNC272	Right Hand Rear 88" or 109"	\$ 193.95



RNE588	Adjuster Kit (Does 4 adjusters)	\$ 62.59
RNC641	Steady Post 109"	\$ 8.50

Brakes

Pedal Return Springs

RNC455	Series II, IIA.....	\$ 3.79
RNC453	Series III.....	\$ 4.20



Shoe Return Springs

88" Front & Rear, all models thru June 1980

RNC165	Top.....	\$ 3.50
RNA952	Bottom.....	\$ 3.75

109", 110" all models with rear drum brakes

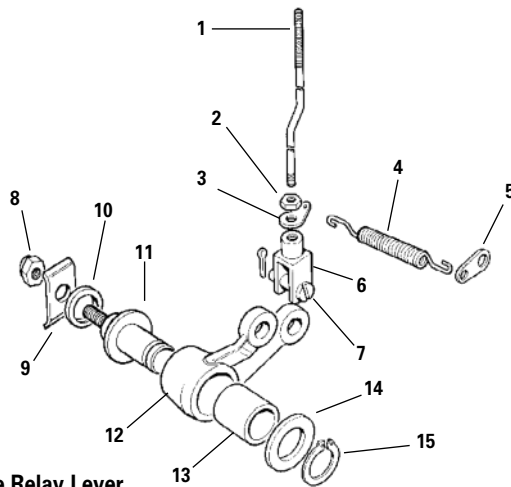
RNA993	Front.....	\$ 4.15
RNC345	Rear Top.....	\$ 10.15
RNC273	Rear Bottom.....	\$ 5.99

90" all models with rear drum brakes

RNC165	Top.....	\$ 3.50
RNA952	Bottom.....	\$ 3.75

Brake Servo Assembly

PLD293	Defender 90 / 110, ProLine.....	\$ 219.95
RND293	Defender 90 / 110, Genuine.....	\$ 349.95
RNH408	Check Valve for brake servo.....	\$ 149.95
RNH409	Vacuum hose for D90 / 110 Manual.....	\$ 18.49
RNF314	Series IIA, III with Dual Power Master '69 on..	\$ 265.95
PLF314	Series IIA, III with Dual Power Master '69 onProLine.....	\$ 184.95
RNH410	Valve for Brake Servo.....	\$ 31.95
RNH411	Series IIA, III Vacuum hose for '69- '83 LHD..	\$ 15.49



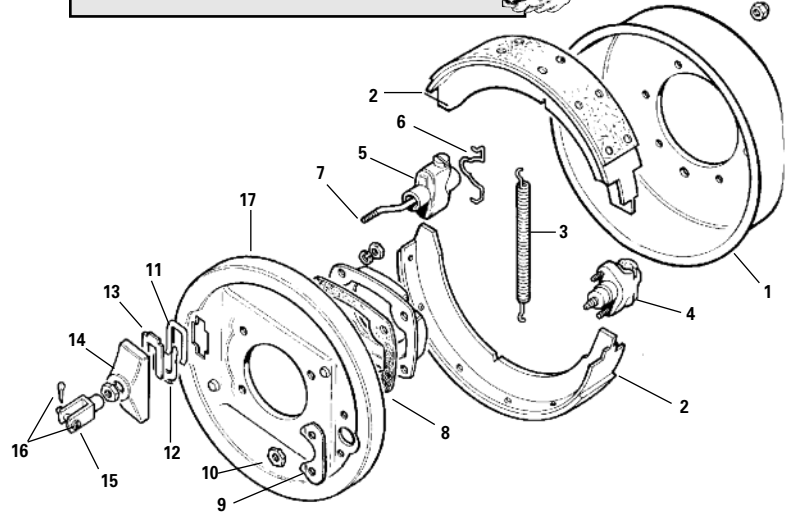
Transmission Brake Relay Lever

Series IIA, III except 3.5 litre

1.	RNC365	Vertical Rod.....	\$ 3.99
2.	RNS034	Lock Nut for Rod.....	\$ 0.75
3.	RNB523	Anchor for Spring.....	\$ 0.54
4.	RNC582	Return spring for Vertical Rod.....	\$ 1.59
5.	RNB602	Anchor for Spring, on Transfer Case.....	\$ 0.99
6.	RNB638	Clevis Fork End.....	\$ 3.99
7.	RNA932	Clevis Pin with Cotter Pin.....	\$ 16.95
8.	RNE477	3/8" UNF Lock Nut.....	\$ 1.49
9.	RNC508	Special Washer.....	\$ 4.68
10.	RNC511	Spacer.....	\$ 0.66
11.	RNC507	Shaft for Relay Lever ('69 on).....	\$ 8.89
12.	RNB509	Relay Lever.....	\$ 57.89
13.	RNA949	Bush for Relay Lever.....	\$ 12.95
14.	RNB719	Plain Washer.....	\$ 0.79
15.	RNC940	Circlip.....	\$ 0.59

Warning:

To protect the rubber seals in your Land Rover's hydraulic system only use Lucas brand or Castrol LMA brand fluid. Substitutions may cause seal failure.



Transmission Brake

Series II, IIA, III except 3.5 litre

1.	RNB634	Brake Drum.....	\$ 89.95
2.	PLF342	Transmission Brake Shoes Early Type, Series I, II Pair.....	\$ 24.95
	PLF342	Late Type, Series IIA, III (can be identified by V notch in bottom of middle shoe).....	\$ 24.95
	RNF342	Late Type, Series IIA, III.....Pair.....	\$ 92.59
	PLF342	Late Type, Series IIA, III, ProLine.....	\$ 24.95

Brake Shoes

RND446	Transmission Brake Shoes, up to VIN RA935629.	\$154.91	
PLD446	ProLine, up to RA935629.....	\$ 44.95	
RND451	Transmission Brake Shoes, from VIN RA935630..	\$ 98.95	
PLD451	ProLine, from RA935630.....	\$ 44.95	
3.	RNE203	Spring for Brake Shoes (two required).....	\$ 5.89
4.	RNB991	Adjuster Unit.....	\$ 32.49
	RNC213	Repair Kit for Adjuster.....	\$ 12.95
5.	RNC201	Expander Unit Assembly.....	\$184.37
6.	RNC215	Spring for Retaining Expander Plungers.....	\$ 10.95
7.	RNC214	Expander Rod.....	\$ 13.99
8.	RNC404	Gasket, Oil Catcher to Backing Plate.....	\$ 0.69
9.	RNC324	Locker for Adjuster Unit.....	\$ 2.69
10.	RNB039	Nut for Adjuster Unit.....	\$ 0.74
11.	RNC206	Retaining Spring.....	\$ 2.30
12.	RNC205	Locking Plate.....	\$ 3.09
13.	RNC207	Packing Plate.....	\$ 2.30
14.	RNC204	Expander Boot.....	\$ 7.99
15.	RNA932	Clevis Pin.....	\$ 16.95
16.	RNA931	Clevis Assembly.....	\$ 7.89
17.	RNC200	Brake Backing Plate.....	\$ POA

Cable for Hand Brake

RNH412	For '94 Defender 90, '93 Defender 110.....	\$ 67.95
RNH413	For Def 90, 95, and 97.....	\$ 87.95

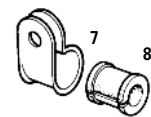
Brake Fluid

Lucas Brake Fluid		
GBF4250	250 ml.....	\$ 4.00
GBF4500	500 ml.....	\$ 7.00
GBF4100	1 litre.....	\$ 12.00

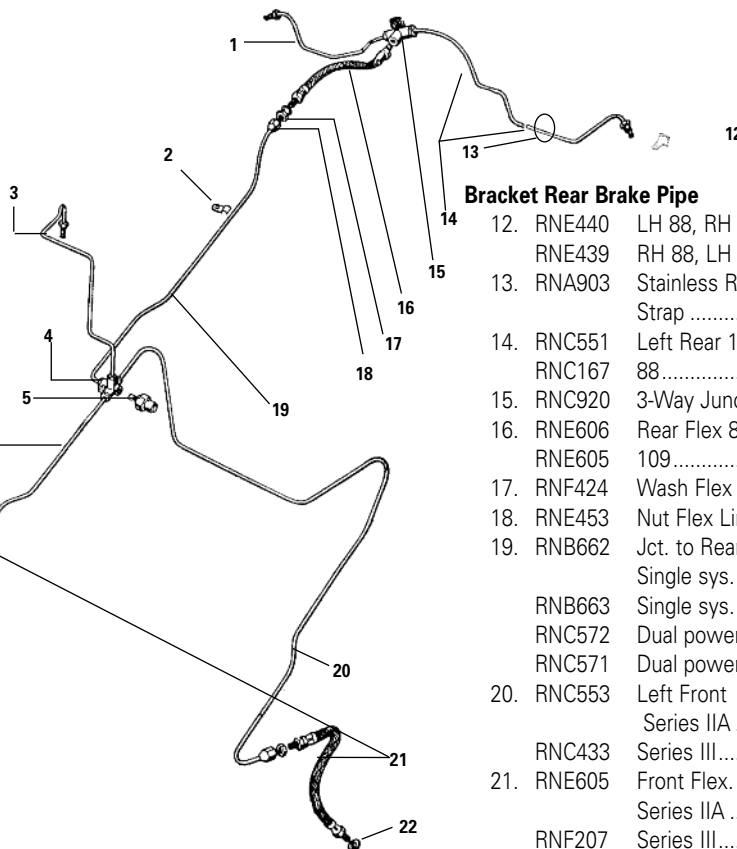


Brakes Lines - Series II, IIA, III

- 1. RNC552 Right Rear\$ 11.95
- 2. RNC142 Brake Line Clip.....\$ 1.39
- RNC452 Reservoir to Master Cylinder...\$ 4.95
- 2b. RNH414 Drive Screw\$ 0.59
- 3. RNC195 Mstr. to Jct., single sys. LHD ..\$ 22.49
- RNC576 front dual power\$ 26.49
- RNC577 rear dual power.....\$ 54.24
- RNB409 5-Way Jct.\$ POA
- PLC435 4-Way Jct.\$ 59.00
- 4. RNC920 3-Way Jct.\$ 14.95
- 5. RNF313 Brake Light Switch.....\$ 17.19
- RNB656 Right Front, Series IIA.....\$ 14.49
- 6. RNC550 Right Front, Series III.....\$ 9.94
- 7. RNC436 Metal Clamp for Rear Lines....\$ 1.29
- 8. RNC672 Rubber Grommet for Metal Clamp.....\$ 1.09



- 9. RNE419 Line Connecting Top and Bottom Wheel Cylinder 109 Series II, IIA, III\$ 11.95
- 10. RNC302 Metal Line for Front Wheel Cylinders 88, 109 Series III only\$ 7.84
- 11. RNC516 Bracket for Brake Line, Series III.....\$ 9.88



Bracket Rear Brake Pipe

- 12. RNE440 LH 88, RH 109.....\$ 11.95
- RNE439 RH 88, LH 109.....\$ 11.95
- 13. RNA903 Stainless Retaining Strap\$ 2.84
- 14. RNC551 Left Rear 109.....\$ 7.82
- RNC167 88.....\$ 7.80
- 15. RNC920 3-Way Junction\$ 14.95
- 16. RNE606 Rear Flex 88.....\$ 24.59
- RNE605 109.....\$ 16.29
- 17. RNF424 Wash Flex Line\$ 0.47
- 18. RNE453 Nut Flex Line\$ 0.35
- 19. RNB662 Jct. to Rear, Single sys. 88\$ 20.97
- RNB663 Single sys. 109\$ 8.87
- RNC572 Dual power 88.....\$ 13.59
- RNC571 Dual power 109\$ 23.19
- 20. RNC553 Left Front Series IIA\$ 33.49
- RNC433 Series III.....\$ 18.24
- 21. RNE605 Front Flex. Series IIA\$ 16.29
- RNF207 Series III.....\$ 24.49
- RNC515 Series III, 1 ton\$ 15.19
- 22. RNA986 Copper Sealing Washer, IIA\$ 0.48

Disc Brakes Front & Rear - 90, 110

1. New Caliper Assembly without Pads

		ProLine	Genuine
90 Front	RH	PLF300A \$169.15	RNF300 \$ 399.95
	LH	PLF301A \$169.15	RNF301 \$ 399.95
110 Front	RH		RNF200 \$ 409.95
	LH		RNF201 \$ 409.95
90 Rear	RH	PLB198A \$126.65	RNB198 \$ 234.95
	LH	PLB197A \$126.65	RNB197 \$ 234.95

2. Brake Pad Axle Set - Genuine includes hardware

		Genuine	ProLine
90 Front.....	RNF302	\$ 72.95	PLF323 \$ 39.95
110 Front.....	RNF323	\$ 67.95	PLF323 \$ 39.95
90 Rear.....	RNF303	\$ 61.42	PLB004 \$ 34.95

3. Disc Rotor

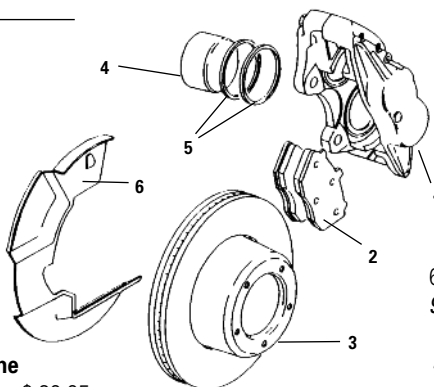
	ProLine	Genuine
90 Front	PLB022 \$ 49.95	RNB022 \$ 94.10
110 Front	PLB006 \$ 39.95	RNB006 \$ 76.39
90 Rear	PLB012 \$ 43.95	RNB012 \$ 77.50

4. Piston Kit for Brake Caliper

90 Front	RNF304	Caliper Kit per side\$ 104.95
110 Front	RNF318	Caliper Kit per side\$ 24.99
90 Rear	RNB246	Caliper Kit per side\$ 32.95

5. Seal Kit for Brake Caliper

90 Front	RNC804	Caliper Kit per side\$ 14.25
110 Front	RNC804	Caliper Kit per side\$ 14.25
90 Rear	RNB019	Caliper Kit per side\$ 12.95



6. Mud Shield for Disc Brakes

90 Front	RH.....	RNB178 \$ 15.59
	LH.....	RNB177 \$ 16.24
110 Front	RH.....	RNE195 \$ 18.95
	LH.....	RNE196 \$ 18.95
90 Rear	RH.....	RNB206 \$ 28.50
	LH.....	RNB205 \$ 27.95

Brake Line Kits

Includes brake pipes, brake lines, flex hoses, nuts and washers

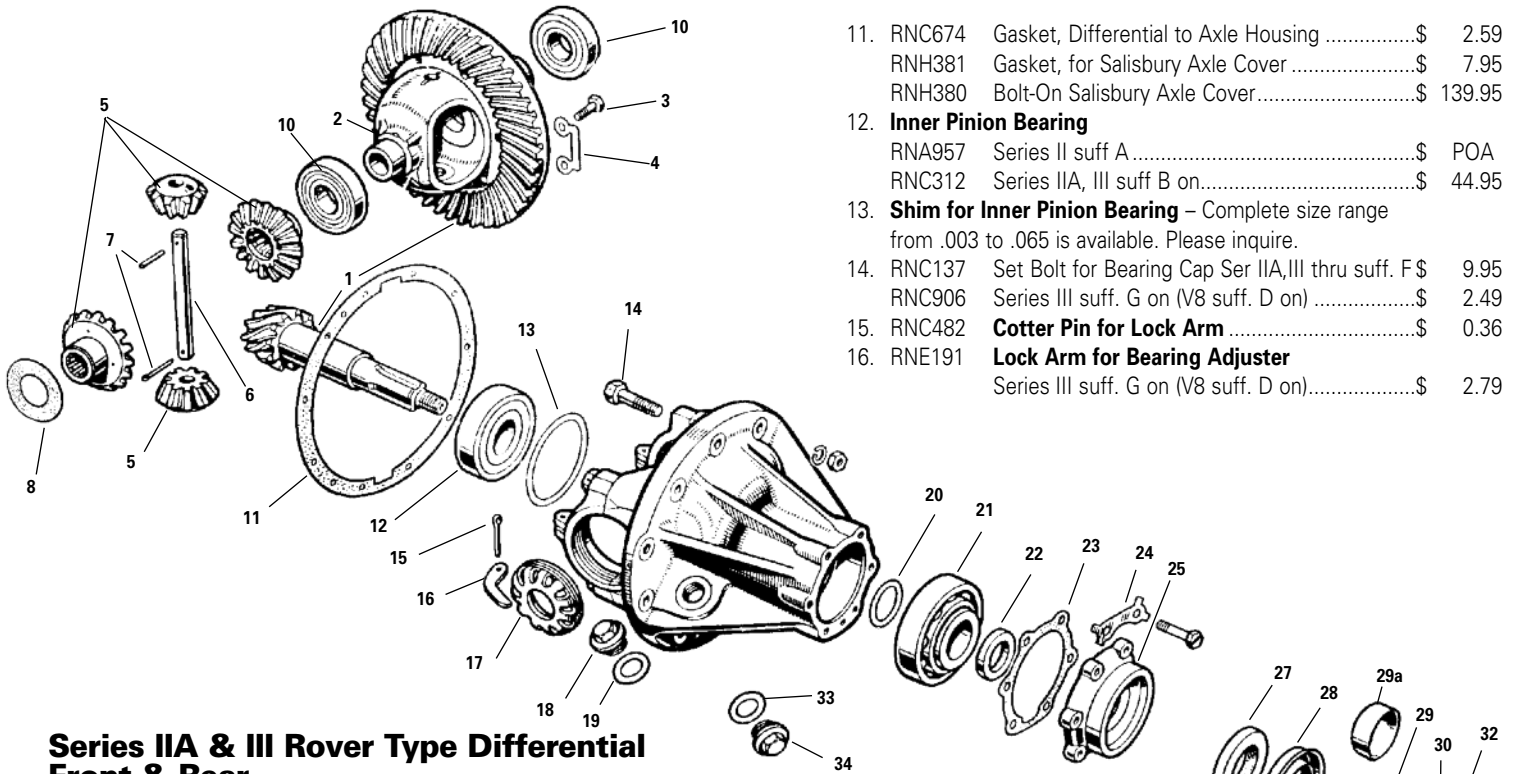
RNK680	88" Single System.....	\$ 159.95
RNK681	109" Single System.....	\$ 159.95
RNK682	88 Series IIA Dual Power.....	\$ 194.95
RNK683	88 Series III Dual Power.....	\$ 197.50

ProLine Brake Pad Fitting Kits

Use these Brake Pad Fitting Kits when replacing your worn out pads.

PLB204	Front, solid disc, Defender.....	\$ 5.95
PLD161	Front, vented, Defender.....	\$ 8.50
PLH320	Front, non-vented, Defender.....	\$ 7.95
PLH321	Rear, Defender.....	\$ 6.95

Drivetrain - Differential



Series IIA & III Rover Type Differential Front & Rear

Series II, IIA, III

Complete Assembly

RNE198	4.7:1 RatioNew.....	\$1394.95
RNC562	4.7:1 RatioUsed.....	\$ 342.95
RNE212	3.54:1 RatioNew.....	\$2495.00
RNE202	3.54:1 RatioUsed.....	\$ 499.95

1. Crown Wheel and Pinion Gear Set

RNE586	4.7 : 1 Gearset	\$ 659.95
RNH123	3.54 : 1 GearsetFlange.....	\$ 116.95
RNF404	3.54 : 1 GearsetRing & Pinion .	\$ 309.95
RNE207	Bolt for Ring Gear	\$ 1.65
RNE226	Washer for Pinion	\$ 4.95
RNH123	Flange Kit	\$ 116.95

2. Carrier Housing

RNF591	Series I, II, IIA (used only)	\$ 41.59
RNC232	Series III thru axle suff. B	\$ 269.95
RNC565	Series III axle suff. C thru G	\$ 159.95

3. Bolt 3/8x1" BSF

RNB507	Crownwheel to Housing (8 used)	\$ 5.49
RNB629	Special Bolt with Deep Shoulder (2 used)	\$ 8.99
RNB410	Locker for Crownwheel Bolts (5 used)	\$ 1.09

4. Matched Gear Set

RNF174	Includes all four spider gears & set of thrusts	\$ 275.95
--------	---	-------	-----------

6. Spider Spindle

RNC311	Series II, IIA, III thru Suff. B	\$ 34.95
RNC598	Series III Suff. C on	\$ 33.95
RNF224	Roll Pin	\$ 2.44
RNE523	Cotter Pin	\$ 0.39
RNC939	Circlip	\$ 2.17

8. Thrust Washer for Spider Gear

RNC283	0.045	\$ 3.95
RNC284	0.050	\$ 3.95

10. Tapered Roller Bearing for carrier

RNC140	Series II, IIA, III thru suff. F	\$ 37.95
RNE584	Series III suff. G on (V8 suff. D on)	\$ 33.95

11. RNC674	Gasket, Differential to Axle Housing	\$ 2.59
RNH381	Gasket, for Salisbury Axle Cover	\$ 7.95
RNH380	Bolt-On Salisbury Axle Cover	\$ 139.95
12. Inner Pinion Bearing			
RNA957	Series II suff A	\$ POA
RNC312	Series III, III suff B on	\$ 44.95
13. Shim for Inner Pinion Bearing	Complete size range from .003 to .065 is available. Please inquire.		
14. RNC137	Set Bolt for Bearing Cap Ser IIA,III thru suff. F	\$ 9.95
RNC906	Series III suff. G on (V8 suff. D on)	\$ 2.49
15. RNC482	Cotter Pin for Lock Arm	\$ 0.36
16. RNE191	Lock Arm for Bearing Adjuster		
	Series III suff. G on (V8 suff. D on)	\$ 2.79

17. Serrated Bearing Adjuster

RNC138	Series II, IIA, III thru suff. F	\$ POA
RNE190	Series III suff. G on (V8 suff. D on)	\$ 11.84

18. Filler Plug

RNB411	Square Head	\$ 5.98
RNC649	Steel Recessed Head	\$ 8.14
19. RNE188	Washer for Filler Plug, Series II, IIA	\$ 1.16

20. Shim for Outer Bearing - Complete size range from .003 to .078 Prices Vary, Please Call

21. RNC313	Outer Pinion Bearing Series II, III suff. B on	\$ 28.19
RNC317	End Washer for Outer Bearing	\$ 11.29
23. RNB412	Bearing Retainer Gasket	\$ 2.69
24. RNC141	Locker for Seal Retainer, Series II, IIA	\$ 0.95
25. RNF585	Bearing Retainer	\$ POA
27. RNE187	Oil Seal for Pinion	\$ 6.29
27a. RNH415	Oil Seal for Salisbury Pinion, Series III	\$ 25.49
RNH631	Oil Seal for Salisbury Pinion, Series IIA	\$ 9.49
28. RNB500	Mudshield for Drive Flange	\$ 3.95
29. RNB504	Drive Flange	\$ 176.00
29a. RNF454	Stainless Steel Repair Sleeve, Diff Pinion	\$ 37.50
30. RNC740	Washer	\$ 14.25
31. RNB716	Nut	\$ 3.75
RNE473	For use with RNF404	\$ 2.79
32. RNE523	Cotter Pin	\$ 0.39
33. RNC210	Drain Washer for Axle Housing	\$ 0.79
34. RNA995	Drain Plug	\$ 9.59

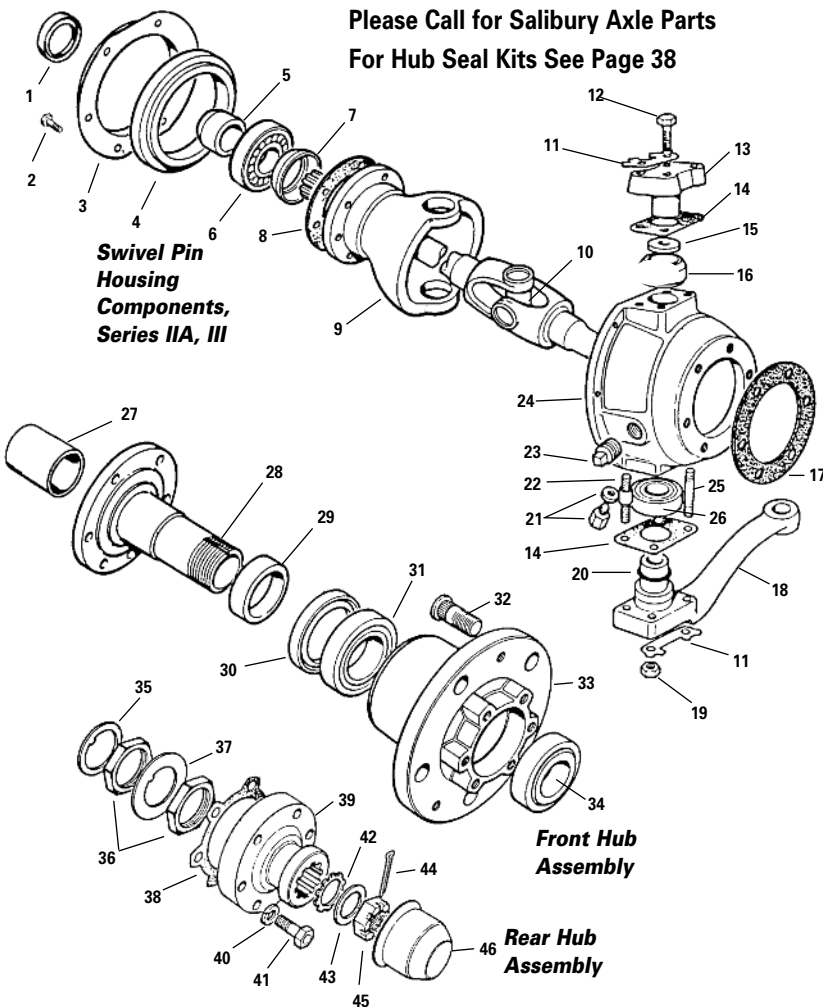
Breather For Axle Housing

RNC211	Series I, II, IIA, III thru 75	\$ 10.24
--------	--------------------------------	-------	----------

Remote Breather For Axle Housing

Series III, 90, 110 1976 on (will also fit earlier models)

RNC574	Front	\$ 21.44
RNC578	Rear	\$ 11.49



Please Call for Salisbury Axle Parts
For Hub Seal Kits See Page 38

Swivel Pin Housing Components, Series IIA, III

Front Hub Assembly

Rear Hub Assembly

Swivel Pin Housing and Hub Assembly

88" & 109" up to July 1980

1.	RNA939	Axle Case Oil Seal.....	\$ 4.74
2.	RNB577	Bolt for Retainer.....	\$ 0.57
3.	RNA997	Retainer for Oil Seal.....	\$ 5.59
4.	RNE618	SPH Oil Seal, Genuine.....	\$ 21.14
	PLE618	SPH Oil Seal, ProLine.....	\$ 9.95
5.	RNC728	Retainer Collar for Bearing.....	\$ 32.95
6.	RNB546	Halfshaft Bearing.....	\$ 41.95
7.	RNB547	Bearing Distance Piece.....	\$ 6.79
8.	RNA981	SPH Gasket.....	\$ 0.54
9.	RNC314	Swivel Ball.....	\$ 169.95
	RNC315	Swivel Ball with Halfshaft Bearing Installed.....	\$ 229.95
10.	RNE640	Halfshaft U-Joint.....	\$ 39.95
11.	RNC264	Bolt Locker.....	\$ 0.79
12.	RNB508	SPH Top Bolt.....	\$ 1.19
13.	RNC487	Top Pin.....	\$ 27.95
14.	RNC258	Shim Pack.....003.....	\$ 0.39
	RNC259	Shim Pack.....005.....	\$ 0.57
	RNC260	Shim Pack.....010.....	\$ 0.98
	RNC261	Shim Pack.....030.....	\$ 1.49
15.	RNC253	Wafer for Railco Brush.....	\$ 2.00
	RNB653	Locker for Brake Backing Plate.....	\$ 0.54
16.	RNC316	Railco Bush.....	\$ 19.95
17.	RNB652	SPH Housing Gasket.....	\$ 0.62
18.	SPH Steering Arm		
	RNC262	Right.....	\$ POA
	RNC263	Left.....	\$ 141.95

19.	RNC559	Steering Arm Nut.....	\$ 1.56
20.	RNC267	O-Ring.....	\$ 0.72
21.	RNC061	Drain Plug.....	\$ 0.89
	RNS090	Washer for Drain Plug.....	\$ 0.63
22.	RNC266	SPH Bottom Stud (wide center).....	\$ 4.90
23.	RNS105	Oil Filler Plug.....	\$ 6.95
24.	Swivel Pin Housing (used available)		
	RNF329	Right.....	\$ 514.95
	RNE169	Left.....	\$ 155.92
25.	RNC268	SPH Bottom Stud.....	\$ 1.49
26.	RNA934	SPH Bottom Bearing.....	\$ 23.95

Front Hub Assembly

27.	RNA937	Drive Shaft Bush Front only	
		Early type Stub Axle.....	\$ 2.99
28.	RNB413	Spindle.....	\$ 194.95
29.	RNC596	Hub Seal Race.....All Models.....	\$ 8.89
30.	Hub Oil Seal		
	RNE615	All Models up to Sept 1980.....	\$ 8.49
	RNE616	From Oct 1980.....	\$ 13.99
31.	Inner Hub Bearing		
		88" up to July 1980 & 109" up to 1972	
	RNE609	Inner Bearing.....	\$ 38.29
		88" from July 1980 except V8 & 109" Series III	
	RNH003	Inner & Outer Bearing.....	\$ 24.49
32.	Wheel Studs		
	RNC402	Ser I, II, IIA threaded to hub.....	\$ 4.49
	RNC405	Series IIA press fit.....	\$ 2.80
	RNC501	Series III press fit.....	\$ 2.59
33.	Hub with Wheel Studs		
	RNC406	Series II, IIA (used only).....	\$ 79.95
	RNC502	Series III (used available).....	\$ 147.59
34.	Outer Hub Bearing		
		Series II, IIA, III up to July, 1980	
	RNE610	Outer bearing.....	\$ 37.49
		Series III from July, 1980	
	RNH003	Inner & Outer Bearing.....	\$ 24.49

Genuine Hub Seal Kit

Includes Genuine hub seal, hub gasket, hub seal race and locker for hub nut.



RNK552	Seal Kit, Genuine (4 req).....	\$ 19.99
--------	--------------------------------	----------

Rear Hub Assembly

35.	RNH022	Flat Washer.....	\$ 3.99
36.	RNH006	Lock Nut.....	\$ 8.59
37.	RNH005	Lock Washer.....	\$ 1.80
38.	RNA975	Drive Flange Gasket.....	\$ 0.68
39.	RNC468	Drive Flange.....Rover Type.....	\$ 47.50
	RNC469	Drive Flange.....Salisbury.....	\$ 42.95
40.	RNH011	Drive Flange Bolt Lock Washer.....	\$ 0.35
41.	RNA929	Drive Flange Bolt.....	\$ 1.66
42.	RNE617	Felt Washer.....	\$ 2.29
43.	RNC470	Flat Washer.....	\$ 1.82
44.	RNE523	Cotter Pin.....	\$ 0.39
45.	RNB716	Castle Nut.....	\$ 3.75
46.	RNA953	Hub Cap.....	\$ 5.19

Top Pin Components

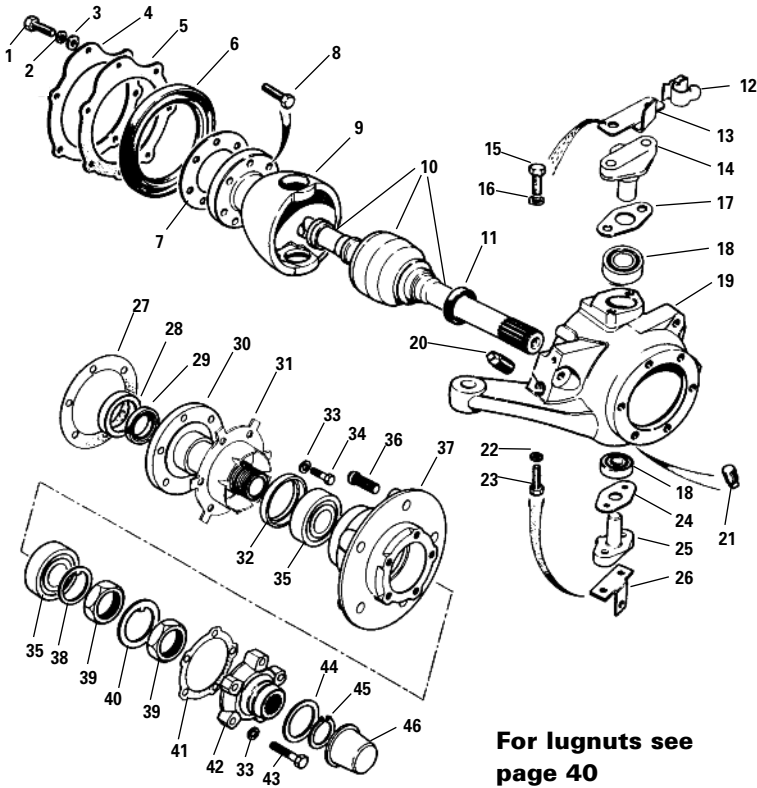
Series II Land Rovers with steering arms mounted on top of swivel pin housing.

RNB532	Spring for Cone Bearing.....	\$ 6.76
RNB414	Top Swivel Pin.....	\$ POA
RNB510	Cone Bearing Top for Swivel Pin.....	\$ 75.49
RNA970	Cone Seat for Top Swivel Pin.....	\$ 74.95
PLC274	Conversion Kit, Cone & Seat to Railco.....	\$ 59.95

Gaiter Kit

RNB650	Leather gaiter set prevents swivel balls from corroding. Comes complete with hardware for easy installation.....	\$ 88.40
--------	--	----------

Drivetrain - Front Axle Defender 90, 110 NAS



**For lugnuts see
page 40**

Defender 90, 110 Swivel Pin Housing and Front Hub Assembly

1.	RNF278	Bolt for Seal Retainer.....	\$ 0.85
2.	RNF428	Lock Washer.....	\$ 0.99
3.	RNX034	Flat Washer.....	\$ 0.73
4.	RNX036	Retainer for Oil Seal.....90.....	\$ 8.14
	RNE182	Retainer for Oil Seal.....110.....	\$ 11.39
	RNE183	Gasket for Retainer.....110 only.....	\$ 3.83
6.	RNX029	SPH Oil Seal.....	\$ 15.95
7.	RNX024	Gasket for Swivel Ball.....	\$ 2.04
8.	RNX022	Bolt for Fixing Swivel Ball.....	\$ 2.15
9.	RNX026	Swivel Ball.....90.....	\$ 179.95
	RNX019	Swivel Ball.....110.....	\$ 310.14
10.	RNE215	Half Axle Assembly, Right.....90.....	\$ 494.95
	RNE216	Half Axle Assembly, Left.....	\$ 579.95
	PLD201	CV Joints for Defender, ProLine .90.....	\$ 139.95
	RNE208	CV Joints for Defender, Right...110.....	\$ 727.95
	RNE209	CV Joints for Defender, Left.....	\$ 779.95
	PLD301	CV Joints for Defender, ProLine .90.....	\$ 159.00
11.	RNE218	Inner Axle Seal.....90.....	\$ 5.25
	RNX035	Inner Axle Seal.....110.....	\$ 8.50
12.	RNE466	Clip for Brake Hose.....90 only.....	\$ 3.81
13.	RNC759	Bolt Locker Bracket for Clip.....90 only.....	\$ 1.24
14.	RNE214	Top Swivel Pin.....90.....	\$ 74.95
	RNE176	Top Swivel Pin.....110.....	\$ 104.95
15.	RNC934	Bolt for Top Pin.....	\$ 2.09
16.	RNF430	Locker for Bolt.....	\$ 0.74
17.	RNS097	Shim Pack.....075 mm.....	\$ 1.04
	RNS098	Shim Pack.....130 mm.....	\$ 2.24
	RNS099	Shim Pack.....250 mm.....	\$ 0.94
	RNS100	Shim Pack.....750 mm.....	\$ 1.14
18.	RNS086	Top Bearing.....90 only.....	\$ 29.95
	RNE174	Top Railco Bush.....110 only.....	\$ 41.29
	RNE173	Wafer for Railco Bush.....110 only.....	\$ 3.90

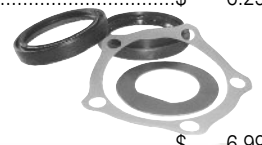
19.	Swivel Pin Housing		
	RNE225	Right.....90.....	\$ 279.95
	RNE224	Left.....90.....	\$ 269.95
	RNE210	Right.....110.....	\$ 499.00
	RNE211	Left.....110.....	\$ 499.00
20.	RNS105	Fill Plug.....	\$ 6.95
21.	RNC061	Drain Plug.....90.....	\$ 0.89
	RNB717	Drain Plug.....110.....	\$ 4.75
	Washer for Drain Plug		
	RNS09090 only.....	\$ 0.63
22.	RNF429	Locker.....110 only.....	\$ 0.30
23.	Bolt for Bottom Pin		
	RNE219	Bolt for Bottom Pin.....90.....	\$ 8.85
	RNE206	Bolt for Bottom Pin.....110.....	\$ 1.41
24.	RNS101	Joint Washer for Bottom Pin.....	\$ 1.57
25.	RNS110	Bottom Swivel Pin.....	\$ 91.10
26.	RNE178	Bracket for Brake Shield.....	\$ 6.49
27.	RNH021	Gasket for Spindle.....	\$ 2.25
28.	RNH018	Bearing for Spindle.....90 only.....	\$ 12.99
	RNE175	Oil Seal for Spindle.....110 only.....	\$ 9.75
29.	RNH023	Oil Seal for Spindle.....90 only.....	\$ 11.74
	RNE184	Bushing for Spindle.....110 only.....	\$ 12.75
30.	RNH016	Front Axle Spindle.....90.....	\$ 119.00
	RNE185	Front Axle Spindle.....110.....	\$ 195.00
31.	RNS103	Mud Shield Locker.....	\$ 10.95
32.	RNH001	Hub Seal.....	\$ 5.49
33.	RNF430	Locker.....	\$ 0.74
34.	RNF403	Bolt, Axle Spindle to Swivel Pin Housing.....	\$ 1.99
35.	RNH003	Wheel Bearing.....Genuine.....	\$ 24.49
	PLH003	Wheel Bearing.....ProLine.....	\$ 13.50
36.	RNH012	Wheel Stud.....90.....	\$ 7.95
	RNE193	Wheel Stud.....110.....	\$ 4.75
37.	RNE228	Hub Assembly.....90.....	\$ 124.95
	RNE194	Hub Assembly.....110.....	\$ 414.95
38.	RNH019	Washer.....90.....	\$ 3.49
	RNH022	Washer.....110.....	\$ 3.99
39.	RNH006	Nut.....	\$ 8.59
40.	RNH020	Folding Lock Washer.....90.....	\$ 1.19
	RNH005	Folding Lock Washer.....110.....	\$ 1.80
41.	RNH007	Hub Gasket.....90.....	\$ 0.54
	RNE179	Hub Gasket.....110.....	\$ 1.79
42.	RNH009	Drive Member.....90.....	\$ 152.95
	RNE192	Drive Member.....110.....	\$ 169.95
43.	RNC935	Bolt, Drive Member to Hub.....90.....	\$ 2.61
	RNF261	Bolt, Drive Member to Hub.....110.....	\$ 3.75
44.	RNX006	Shims, use as required, 0.45mm.....	\$ 2.49
	RNX007	0.60mm.....	\$ 6.49
	RNX008	0.75mm.....	\$ 6.39
	RNX009	0.90mm.....	\$ 6.20
	RNX010	1.05mm.....	\$ 10.12
	RNX011	1.20mm.....	\$ 4.69
	RNX012	1.35mm.....	\$ 5.79
	RNX013	1.50mm.....	\$ 4.69
	RNX014	1.65mm.....	\$ 4.67
45.	RNX040	Circlip.....	\$ 0.93
46.	RNX021	Hub Cap, 90.....	\$ 2.84
	RNE186	110.....	\$ 6.29

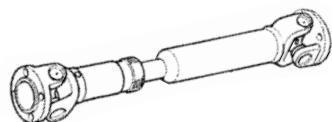
Genuine Hub Seal Kits

Includes Genuine hub seal, hub gasket, and locker for hub nut.

Defender 90/110

RNK5623	Seal Kit, Genuine (4 req).....	\$ 6.99
---------	--------------------------------	---------





Front Drive Shaft

Improved to prevent slip joint wear.

RNF315	88 & 109 except 2.6, 3.5 litre, Genuine.....	\$ 299.95
PLF315	88 & 109 except 2.6, 3.5 litre, ProLine.....	\$ 159.95
RNE204	90, 3.9 litre.....	\$ 724.95
RNF410	110, 3.9 litre.....	\$ 499.95

Rear Drive Shaft

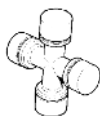
RNE189	Rear Drive Shaft 88, Genuine.....	\$ 421.95
PLE189	Rear Drive Shaft 88, ProLine.....	\$ 169.95
RNF358	109, 2.25 litre up to 1972, Genuine.....	\$ 352.95
PLF358	109, 2.25 litre up to 1972, ProLine.....	\$ 189.95
RNE217	109, 2.25 litre 1972 on, Genuine.....	\$ 339.95
PLE217	109, 2.25 litre 1972 on, ProLine.....	\$ 239.95
RNE201	Rear Drive Shaft 90, 3.9 litre, Genuine.....	\$ 369.95
PLE201	Rear Drive Shaft 90, 3.9 litre, ProLine.....	\$ 279.00
RNE200	Rear Drive Shaft 110, 3.9 litre, Genuine.....	\$ 419.95
RNC184	Bolt for Drive Shaft.....	\$ 1.79
RNE478	Nut for Drive Shaft (nyloc).....	\$ 0.99

Boot for Drive Shaft

RNB646	Standard on front shaft, optional on rear. Includes clamps.....	\$ 18.95
--------	--	----------

U-Joint for Drive Shafts

Series I, II, IIA, III



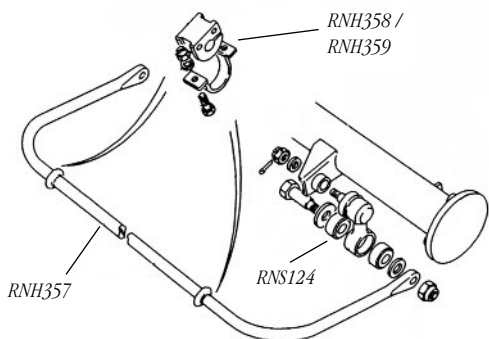
RNE598	U-Joint 2-15/16 from cap top to cap top.....	\$ 33.95
RNE604	U-Joint 3-7/32 from cap top to cap top.....	\$ 12.95
RNE611	U-Joint 90, 110, 90 rear only.....	\$ 63.95
RNF411	U-Joint 90 front, Genuine.....	\$ 59.95
PLF411	U-Joint 90 front, ProLine.....	\$ 34.95

Front Stub Shaft between hub and U-Joint



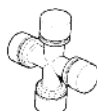
RNB531	88 Series II, IIA, III thru June 1980.....	\$ 137.50
RNC802	88 Series II, IIA, III from July 1980.....	\$ 277.95
RNB531	109 Series II, IIA.....	\$ 137.50
RNC644	109 Series III, except 1 ton, to Sept 1980.....	\$ 253.95
RNC802	109 Series III, except 1 ton, Sept 1980 on.....	\$ 277.95

Anti-Roll Bars, Ball Joints, & Bushings



Defender 90/110 NAS

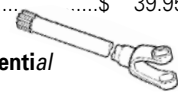
RNH358	Bushing, Rear Sway Bar, Defender 90.....	\$4.95
RNH359	Bushing, Rear Sway Bar, Defender 110.....	\$5.21
RNS124	Ball Joint, Sway Bar.....	\$66.95
RNH357	Anti-Roll Bar.....	\$70.71



RNE640 U-Joint for Front Half Axle

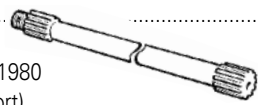
Series II, IIA, III (except V8).....	\$ 39.95
--------------------------------------	----------

Front Inner Half Axle between U-joint and Differential
88 & 109, Series II, IIA, III, except 1 ton



RNB648	Right Side.....	\$ 219.00
RNB649	Left Side.....	\$ 252.53

Rear Half Axle



88 Series II, IIA, III thru June 1980		
RNC539	Right side (short).....	\$ 94.95
RNC540	Left side (long).....	\$ 103.95
88 Air Portable		
RNC594	Right side (short).....	\$ 233.49
RNC595	Left side (long).....	\$ 271.95
88 Series III from July 1980 on		
RNE165	Right side (short).....	\$ 157.50
RNE166	Left side (long).....	\$ 171.95
109 Series II, IIA		
RNC539	Right side (short).....	\$ 94.95
RNC540	Left side (long).....	\$ 103.95
109 Series III Salisbury		
RNC499	Right side (short).....	\$ 134.95
RNC500	Left side (long).....	\$ 144.95
RNF581	90 Defender.....RH.....	\$ 264.95
RNF455	90 Defender.....LH.....	\$ 269.95
RNF456	110 Defender.....RH.....	\$ 329.95
RNF457	110 Defender.....LH.....	\$ 310.95



"I have yet to find a company that is as responsive and as consistent as Rovers North. It is amazing to me that with the volume of phone calls answered, with questions as simple as "How do I change my oil", to as complicated as fitting a new engine, each one is treated just as important as the other, day in and day out. To me you're not some distant voice on the phone, you are part of the community and the bobby of driving, collecting and admiring Land Rovers."

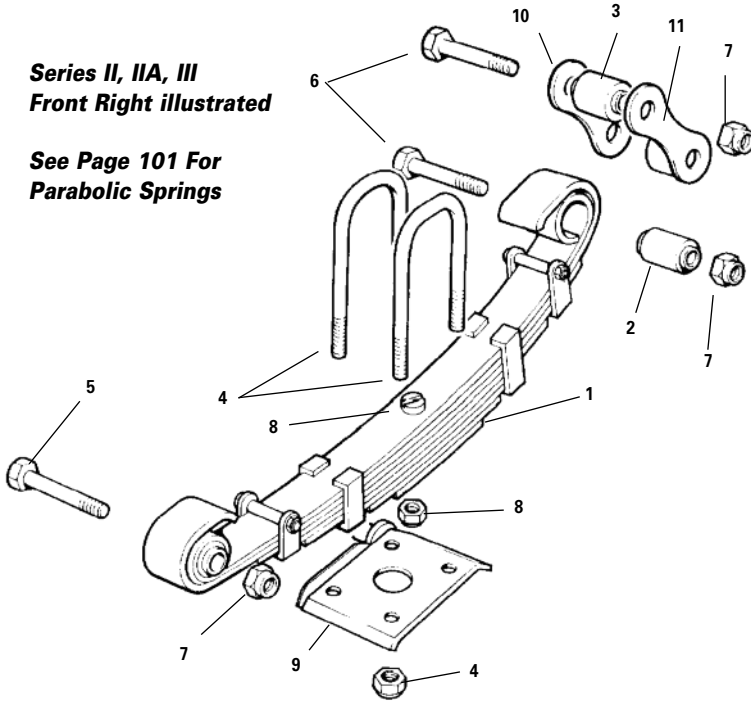
M. Martin
Vermont

Matthew Martin's stands proudly next to his beautifully restored 1966 RHD Series IIA 109

Suspension - Series II, IIA, III

**Series II, IIA, III
Front Right illustrated**

**See Page 101 For
Parabolic Springs**



1. Road Springs Complete with Bushings		
RNB524	Front, 88"	\$ 133.95
RNC218	Rear, 88"	\$ 149.95
RNB596	Front, 109"	\$ 130.00
RNB664	Rear Station Wagon	\$ 199.95
RNC286	Rear Pick-Up, Heavy Duty	\$ 189.00
RND272	Rear Military Only Driver's side	\$ 182.95
RND273	Rear Military Only Passenger	\$ 182.95
2. RNC346 Spring Bushing Front and Rear		\$ 6.59
3. Chassis Bushing for Top Shackle Bolt		
Front		
RNC457	88" and 109" Series II, IIA thru 1970	\$ 15.59
RNC761	109" only Series III Oct 1971 on	\$ 17.95
RNC346	Rear	\$ 6.59
4. U-bolts with Nuts		
88"		
RNC410	Front (3 required)	\$ 9.95
RNC411	Front (longer bolt) (1 required)	\$ 10.59
RNB530	Rear (4 required)	\$ 8.60
109"		
RNC325	Front (3 required)	\$ 10.95
RNC450	Front (1 required)	\$ 9.95
RNB530	Rear (4 required)	\$ 8.60
Nuts only, for U-Bolts		
RNB580	Series III, 88" & 109", except 109 Rear	\$ 3.64
RNE471	Series III, 109 Rear	\$ 1.74
5. RNC300 Spring Bolt with Locknut		\$ 4.74
6. Shackle Bolt with Locknut		
RNC301	Front	\$ 4.75
RNC299	Rear	\$ 4.75
7. Locknut only		
RNB581	for spring and shackle bolts	\$ 1.05
8. Center Bolt for Spring Leaves with Nut		
RNF574	Front (nine leaf)	\$ POA
RNB595	Front (eleven leaf)	\$ 3.90
RNB534	Rear 88" All Models	\$ POA
RNC153	109" Station Wagon	\$ POA
RNE556	109" 1 Ton & Military	\$ 4.65

9. Bottom plate for road spring

Front bottom plate

88" Diesel / 109" All models (except 1 ton and military)

RNB415	Right	\$ POA
RNC661	Left	\$ 62.50

88" Petrol only

RNC660	Right - Front	\$ 99.50
RNC659	Left - Front	\$ 57.50

1 ton and military

RNC586	Right	\$ 194.95
RNC548	Left	\$ 192.95
RNC549	Rear bottom plate	\$ 35.49

88" All models

RNC662	Right - Rear	\$ 82.95
RNC773	Left - Rear	\$ POA

109" All models

RNC549	Right and left	\$ 35.49
--------	----------------	----------

10. Shackle for Road Springs (Non Threaded)

Front

RNB618	88" All models, II, IIA 109"	\$ 7.95
RNC766	109" Series III, Except 1 ton & military	\$ 7.59
RNC764	109" 1 ton & military	\$ 9.75

Rear

RNB548	88" All models	\$ 6.95
RNB666	109" Except 1 ton & military	\$ 6.95
RNC303	109" 1 ton & military	\$ 8.49

11. Threaded Shackle for Road Spring

Front

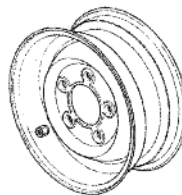
RNC297	88" All models, II, IIA 109"	\$ 8.95
RNC765	109" Series III, Except 1 ton & military	\$ 8.59
RNC763	109" 1 ton & military	\$ 10.59

Rear

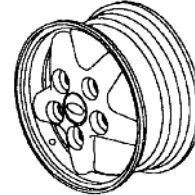
RNC296	88" All models	\$ 7.25
RNC295	109" Except 1 ton & military	\$ 7.25
RNC298	109" 1 ton & military	\$ 22.95

Road Wheels

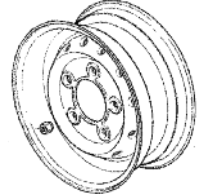
RNF328	16" Steel for 6.00 or 6.50 x 16" tires 88"	\$ 145.95
RNC880	16" Steel for 7.50 or 235/85 x 16 tires 88", 109", 90", 110"	\$ 101.19
RNC873	16" Steel 110 USA only	\$ 234.95
RNW216	16" Vented Heavy Duty Wolf Steel	\$ 92.50
RNW211	16" Alloy "Tornado" D90	\$ 299.95
RNC875	Center Cap with logo for Alloy Wheels	\$ 4.36



16" Steel



16" Alloy "Tornado"



16" Vented Heavy Duty Steel

Lug Wrench

LUG15/16	Lug Wrench 15/16" Nuts	\$ 17.19
LUG1116	Lug Wrench 1 1/16" Nuts	\$ 17.95

Lug Nuts for Steel Wheels

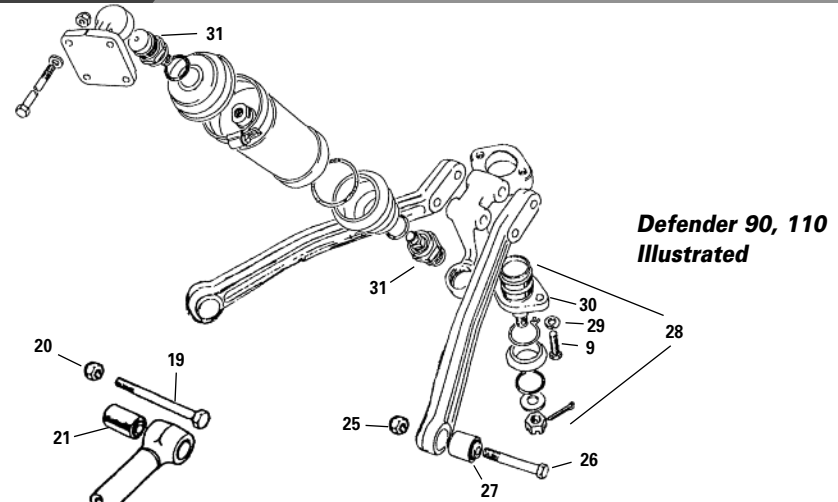
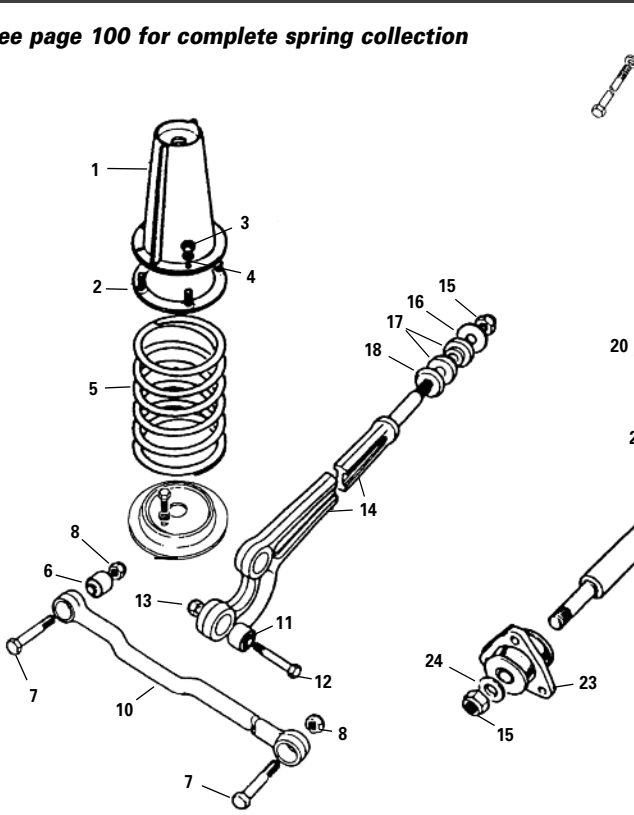
RNA938	Series II, IIA Thru 1966, both ends oval	\$ 3.09
RNC401	Series IIA 15/16" 1967-68	\$ 4.79
RNC480	Series IIA 1-1/16" 1969-70	\$ 8.45
RNS066	Series III, 90", 110" late 1971 on	\$ 2.39

Lug Nuts for Alloy Wheels

RNX043	Defender 90 '94-97	\$ 14.59
--------	--------------------	----------

SUSPENSION

See page 100 for complete spring collection



Defender 90, 110 Illustrated

- 22. RNS038 Bottom Link Assembly includes rear bushing.....\$ 117.49
- 23. RNS033 Mounting Bushing supplied as a set, replaces both right & left mounting bushes.....\$ 54.95
- 24. RNS032 Washer\$ 2.59
- 25. RND300 Nut for Top Link Bolt.....\$ 7.49
- 26. RNS068 Bolt for Top Link.....\$ 12.89
- 27. RNS067 Bushing Top Link.....\$ 18.95
- 28. RNS072 Ball Joint Assembly\$ 69.19
- 29. RNS037 Locker.....\$ 0.42
- 30. RNS072 Ball Joint\$ 69.19
- 31. RNS112 Ball Joint, 1993 110 Leveled Suspension.....\$ 34.95

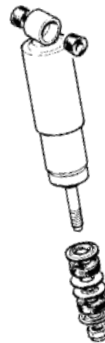
- 1. RNS023 Shock Tower Front.....\$ 64.95
- 2. RNS039 Securing Ring for shock tower\$ 16.95
- 3. RNS034 Nut (4 per ring required)\$ 0.75
- 4. RNS037 Locker for nut\$ 0.42

5. Springs	Driver's Side	Passenger Side
90 Front Springs		
Standard	RNE444 \$ 67.60	RNE445 \$ 67.60
Heavy Duty	RNS046 \$ 69.95	RNS047 \$ 69.95
90 Rear Springs		
Standard	RNS046 \$ 69.95	RNS047 \$ 69.95
Heavy Duty	RNE526 \$ 92.49	RNE527 \$ 92.49
110 Front Springs		
Standard	RNS050 \$ 65.96	RNS051 \$ 65.96
Heavy Duty	RNS046 \$ 69.95	RNS047 \$ 69.95
110 Rear Springs		
Standard	RNE431 \$ 71.95	RNE438 \$ 71.95
Heavy Duty	RNE432 \$ 74.95	RNE436 \$ 74.95

(Standard is fitted with Leveled Suspension)

- 6. RNS049 Bushing for Panhard Rod.....\$ 6.19
- 7. RNS052 Bolt, Rod to Axle Bracket\$ 5.95
- RNS052 Bolt, Rod to Chassis Mounting Arm.....\$ 5.95
- 8. RNE472 Lock Nut\$ 1.99
- 9. RNS059 Bolt for Center Ball Joint\$ 0.71
- 10. RNS024 Panhard Rod Assembly with Bushings.....\$176.95
- 11. RNE467 Bushing for Radius Arm.....up to '94.....\$ 27.19
- RNS060 Bushing for Radius Arm.....'94 on\$ 19.95
- 12. RNC911 Bolt, Radius Arm to Axle\$ 4.89
- 13. RNS031 Lock Nut\$ 2.75
- 14. RNE456 Front Radius Arm Assembly up to '94 with Front Bushings.....\$345.00
- RNH056 '94 on\$345.00
- 15. RNS026 Lock Nut\$ 8.09
- 16. RNS027 Flat Washer.....\$ 8.19
- 17. RNS028 Bushing, Arm to Chassis\$ 4.95
- 18. RNS029 Dished Washer\$ 4.99
- 19. RNS030 Bolt, Bottom Link to Axle\$ 5.00
- 20. RNS031 Lock Nut\$ 2.75
- 21. RNS040 Bushing, Bottom Link to Rear Axle\$ 14.95

Shock Absorbers Complete with bushings



	Standard	Heavy duty	
88"	Front PLF157 \$ 29.95	PLF173 \$ 39.95	See our accessory section for our full listing of Bilstein, Old Man Emu, and ProComp shocks.
	Rear PLF159 \$ 29.95	RNF162 \$ 62.95	
109"	Front PLF172 \$ 33.95	PLF173 \$ 39.95	
	Rear PLF170 \$ 32.00		
109" Military	Front	RNF158 \$ 45.95	
	Rear	RNF160 \$ 82.95	
90"	Front	RNF336 \$ 64.95	
	Rear	RNF337 \$ 64.95	
110"	Front RNF338 \$ 51.39		
	Rear RNF339 \$ 62.95	RNF180 \$ 79.95	

- RNC136 Cotter Pin for Shock Mount\$ POA
- RNH041 Washer for Cotter Pin\$ 1.35

We stock all bolts and washers for shock absorbers. Please inquire.

Bushings for Shocks

- RNS115 88" and 109" except 109" rear bottom.....\$ 2.25
- RNC370 109" rear bottom.....\$ 1.59
- RNC370 90" and 110" except rear top\$ 1.59
- RNE423 90" and 110" rear top.....\$ 7.29



Check Straps

Canvas straps that limit the downward travel of the rear axle

- RNC592 88" Left 35"\$ 13.95
- RNB506 88" Right 33"\$ 14.95
- RNC588 109" SW, regular and military 39"\$ 16.59
- RNC592 109" Salisbury axle 34 3/4"\$ 13.95

Axle Stop

Rubber block mounted on chassis that limits upward travel of axle.

- RNB525 88" and 109" All models.....\$ 9.95
- RNC879 90" and 110" All models.....\$ 47.12

Chassis (Complete Frame) Galvanized

88 Series II, IIA, III

RNE416	Civilian.....	\$ 1690.00
RNE435	Military.....	\$ 1790.00

109 Regular Series II, IIA, III, 2.25 litre

RNE412	Civilian.....	\$ 2490.00
RNE414	Military.....	\$ 3250.00

109 Station Wagon, 2.25 litre

RNE413.....		\$ 2450.00
-------------	--	------------

109 Station Wagon, 2.6 litre, galvanized

RNH416.....		\$ 2995.00
-------------	--	------------

Defender 90 NAS

RNC878.....		\$ POA
-------------	--	--------

1. Rear Frame Member in Black Finish

Civilian

RNE403	Standard.....	\$ 119.49
With 18" Extensions, includes spring shackle		
RNE404	mounts for 88.....	\$ 205.95
CHAS23	Military 88 & 109.	\$ 182.00

5. Body Support Outrigger

88 Support and Fuel Tank Mount		
RNF380	Right.....	\$ 48.29
RNF379	Left.....	\$ 48.29

109 Support and Fuel Tank Mount

CHAS20	Right.....	\$ 82.49
CHAS21	Left.....	\$ 82.49

6. Fuel Tank Front Outrigger RH

RNF378	88.....	\$ 28.95
RNF379	109.....	\$ 48.29

7. Bulkhead Outrigger

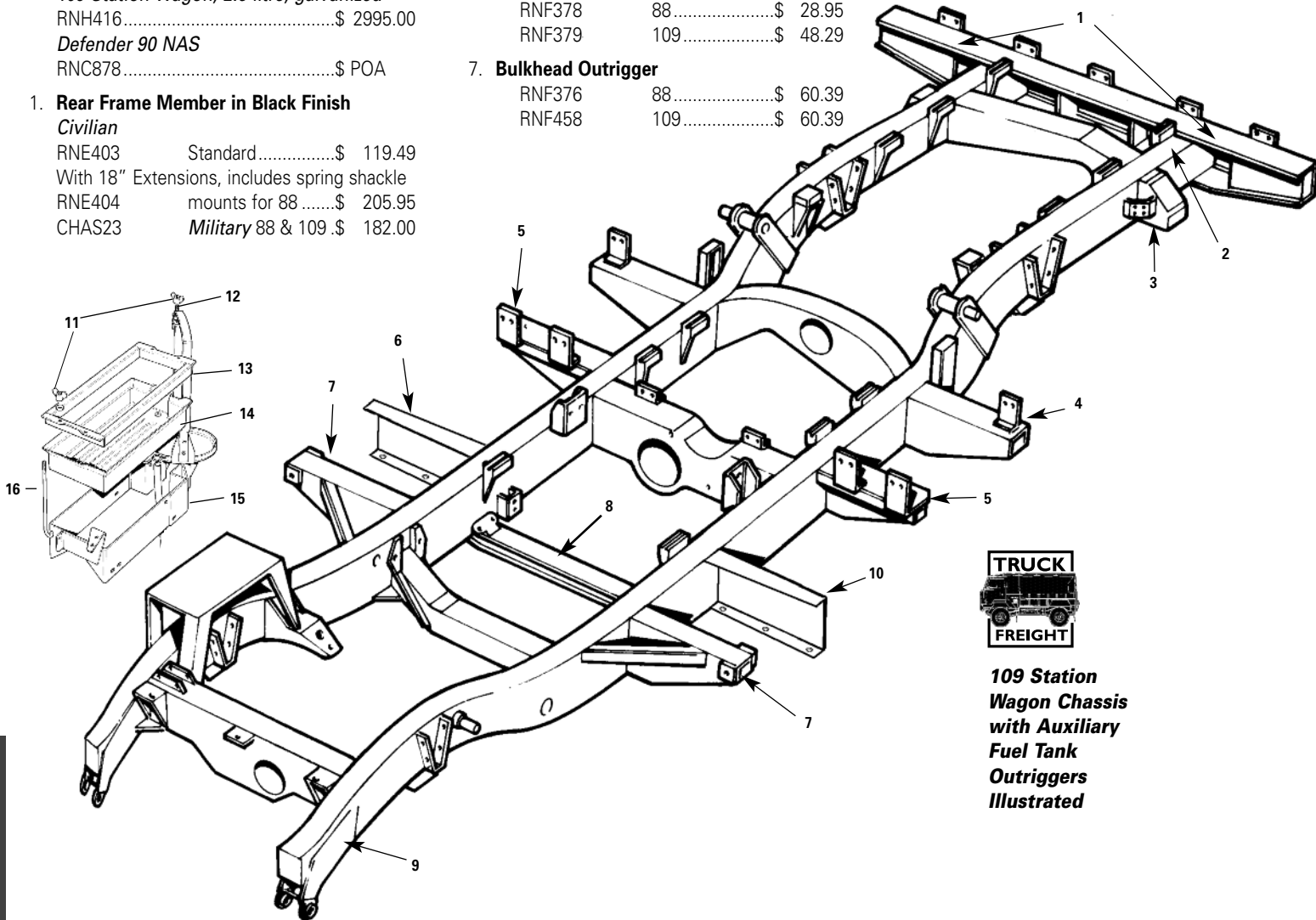
RNF376	88.....	\$ 60.39
RNF458	109.....	\$ 60.39



Replacement chassis parts

Welding is required to install these parts and should be referred to a professional.

For the do-it-yourself Land Rover owner the job requires a cut off wheel and/or torch, 4" grinder and a 60 amp welder. Try 3/32" 6011 rods at 60 amps (45 amps DC) for best results.



109 Station Wagon Chassis with Auxiliary Fuel Tank Outriggers Illustrated

2. Rear Frame Member Mounting Kit

For use with RNE403

Includes all pieces necessary to mount rear frame member to existing frame rails (not assembled).

CHAS01	88.....	\$ 88.95
CHAS02	109.....	\$ 89.95

3. Rear Spring Perch

Supplied with spring bushing.

RNF377	88.....	\$ 83.59
RNF382	109 LH.....	\$ 62.95
RNF383	109 RH.....	\$ 62.95

4. 109 Front of Rear Spring Outrigger

RNF387	Right.....	\$ 80.95
RNF381	Left.....	\$ 82.98

8. Transmission Cross Member

RNA950	88.....	\$ 114.95
CHAS22	109.....	\$ 88.95

9. Front Horn Assembly

Fits all civilian 88 & 109

CHAS11	Right.....	\$ 99.95
CHAS12	Left.....	\$ 101.95

Repair Kit for Front Horn

Contains all the pieces to rebuild one frame horn (not assembled)

CHAS13A	Series IIA.....	\$ 43.69
CHAS13B	Series III.....	\$ 43.69

10. Auxiliary Fuel Tank Outrigger

CHAS05.....		\$ 53.39
-------------	--	----------

Battery Casing and Air Cleaner Support

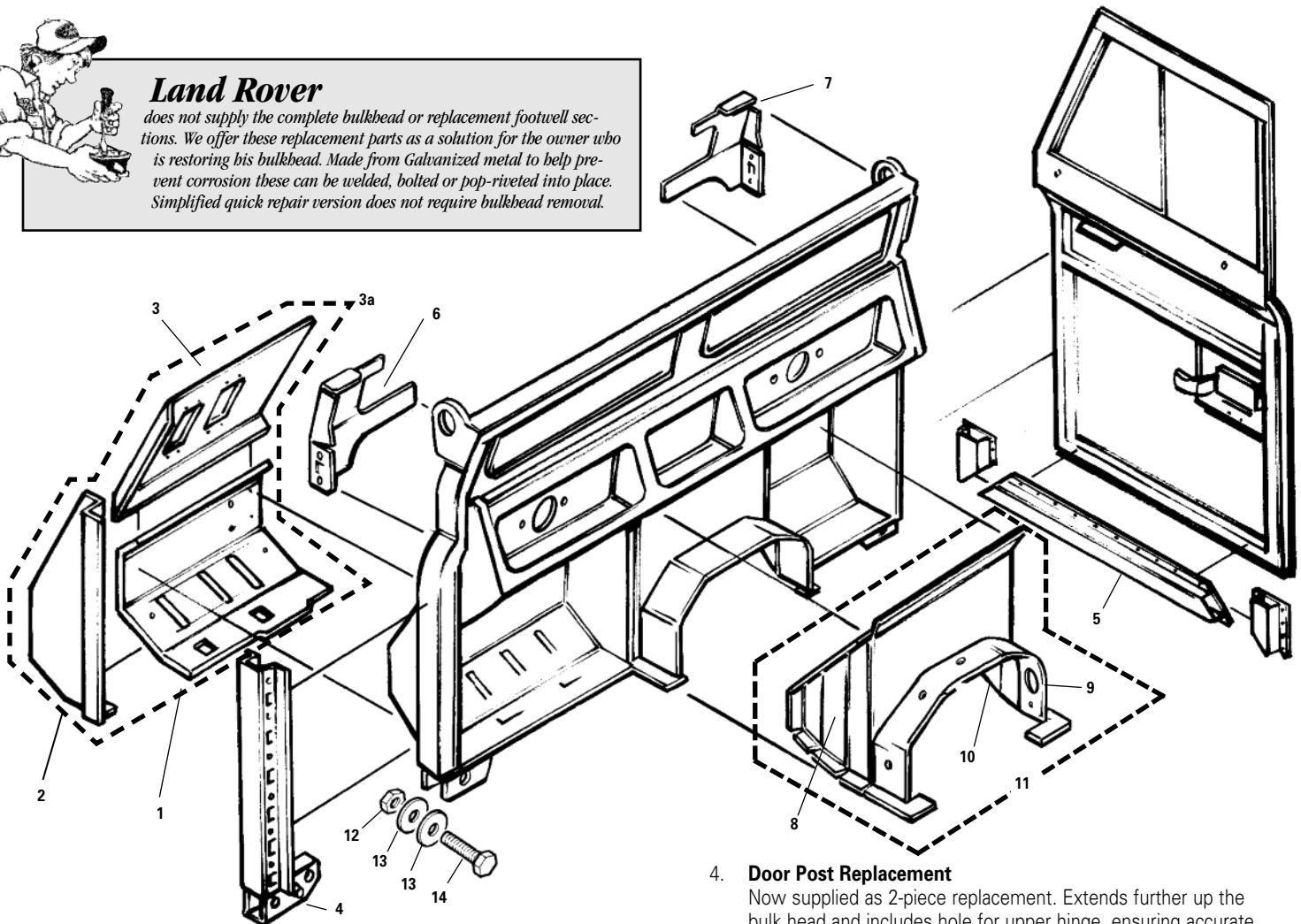
Series II, IIA, III, 2.25 petrol

11. RNB576	Wing Nut.....	\$ 3.99
12. RNA983	Stud for Wing Nut.....	\$ 6.95
13. RNC506	Hold Down Bracket for Battery 2.25 litre.....	\$ 15.64
RNE368	Defender 110.....	\$ 7.61
14. PLC666	Plastic Tray for Battery.....	\$ 15.99
15. RNE410	Mount Assembly for Battery & Air Cleaner.....	\$ 394.16
16. RNC417	J-Bolt Late Series IIA, III.....	\$ 4.49
RNF325	Defender 110.....	\$ 7.49



Land Rover

does not supply the complete bulkhead or replacement footwell sections. We offer these replacement parts as a solution for the owner who is restoring his bulkhead. Made from Galvanized metal to help prevent corrosion these can be welded, bolted or pop-riveted into place. Simplified quick repair version does not require bulkhead removal.



The panels with the "RNF" prefix, are precision manufactured to exactly duplicate the original bulkhead.

18 ga. Galvanized Replacement Footwell Parts for 2.25 litre Bulkheads

1. **RNF0003 Toe Board**
Replaces front angular floor section. Galvanized.
Right Side as illustrated\$ 47.95
Simplified quick repair version.....\$ 37.95
- FLOOR3 Left Side as illustrated\$ 47.95
FLOOR2 Simplified quick repair version.....\$ 37.95
2. **Kick Panel**
Triangular panel located on the inside of the door post. Has flanged corner to interconnect with replacement toe board to reconstruct a rusted through floor area. Galvanized.
RNF0001 Left Side complete panel.....\$ 37.95
FLOOR1 Simplified quick repair version.....\$ 36.69
RNF0004 Right Side complete panel.....\$ 37.95
FLOOR4 Simplified quick repair version.....\$ 36.69
3. **Footwell Top**
FLOOR7* Left Side.....\$ 54.95
FLOOR8 Right Side.....\$ 33.95
- 3a. **Footwell Replacement Assembly - Galvanized**
Parts 1, 2 & 3 assembled as a unit. Replaces entire footwell. Ribbed
RNF0005* Driver's Side.....\$ 164.95
RNF0006 Passenger's Side.....\$ 134.95

*The brake pedal cutout is for single system Master Cyl. When installing later dual power Master Cyl, the cutout will need to be lengthened.

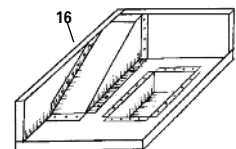
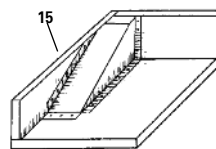
4. Door Post Replacement

Now supplied as 2-piece replacement. Extends further up the bulk head and includes hole for upper hinge, ensuring accurate hinge spacing.

- CHAS30 RH Door Post 25" tall\$ 62.95
- CHAS31 LH Door Post 25" tall\$ 62.95
- CHAS32 RH Foot.....\$ 27.95
- CHAS33 LH Foot\$ 27.95
- CHAS17 One Piece LH as illustrated 18^{3/4}" tall.....\$ 92.29
- CHAS18 One Piece RH as illustrated 18^{3/4}" tall.....\$ 92.29

5. Door Rails - Galvanized

- CHAS24 Door Frame Repair Kit (replaces rusted bottom door frame)\$ 75.49
- 6. CHAS36 Bulkhead Corner LH Repair Piece.....\$ 36.95
- 7. CHAS35 Bulkhead Corner RH Repair Piece\$ 36.95
- 8. RNF0007 Center Kick Panel LH\$ 49.95
- 9. RNF0008 Flange Only, for Gearbox Tunnel.....\$ 88.40
- 10. RNF0009 Center Kick Panel RH.....\$ 49.95
- 11. RNF0010 Center Bulkhead Assembly.....\$ 257.95
- 12. RNF459 Nut\$ 1.99
- 13. RNF460 Washer.....\$ 0.27
- 14. RNF461 Bolt, Bulkhead to Outrigger\$ 5.35



Tool Locker Replacement Assembly For Seat Box - Galvanized

- 15. CHAS28 Series III (Will also Fit Earlier Models)\$ 119.00
- 16. CHAS29 Series II, IIA With Battery Facility\$ 143.95

CHASSIS



Trim For Footwells, Front Doors and Floor, Series IIA, III, & Defender Models

Floor Board Hardware

Series II, IIA, III

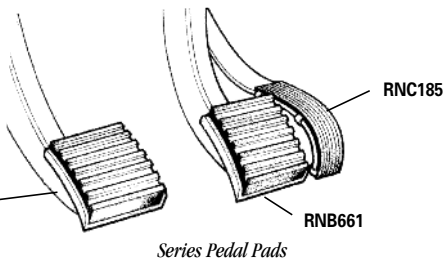
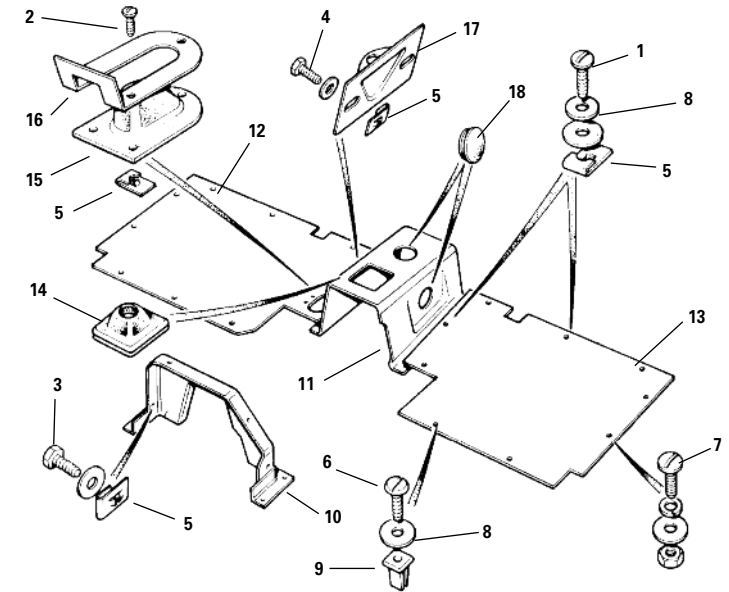
RNK823	Complete Hardware KitSer. IIA 4 cyl.	\$ 37.49
RNK822	Complete Hardware KitSer. III 4 cyl.	\$ 39.95
1.	RNB701 Short Floor Screw	\$ 0.64
2.	RNC696 Long Floor Screw.....	\$ 0.45
3.	RNB688 Floor Bolt.....	\$ 0.52
5.	RNB681 Spire Nut.....	\$ 0.93
6.	RNC688 Fine Thread ScrewSeries IIA.....	\$ 0.72
	RNH042 Series III.....	\$ 1.00
7.	RNC689 Fine Thread Screw.....	\$ 0.59
8.	RNB998 Washer.....	\$ 0.49
9.	RNC946 Fixed Nut.....	\$ 0.54
10.	RNB722 Bulkhead Cowling, 2.25 petrol & diesel	\$ 39.70
11.	RNB842 Tunnel Cover, 2.25 petrol & diesel.....	\$ 112.95
12.	RNB720 Floor Board RH	\$ 92.56
13.	RNB721 Floor Board LH.....	\$ 109.25
14.	RNB673 Boot for Main Lever.....	\$ 4.95
15.	RNB893 Boot for Transfer Lever.....	\$ 16.95
16.	RNB689 Retainer for Boot	\$ 5.23
17.	RNB690 Base Plate for 4wd Lever	\$ 23.59
18.	PLB847 Plug for Tunnel Cover	\$ 4.95
19.	RNB892 Boot for Hand Brake.....	\$ 11.39

Interior Rubber Boots

14.	RNB673 Boot for Main Lever, Series II, IIA, III	\$ 4.95
15.	RNB893 Boot for Transfer Lever, Series II, IIA, III.....	\$ 16.95
19.	RNB892 Boot for Handbrake, Series II, IIA, III	\$ 11.39
20.	RNH417 Shift lever boot/ transfer case 90 110	\$ 41.95
21.	RNH418 Handbrake boot Defender 90 110, LHD.....	\$ 23.95

Interior Boot Kit

RNK8210	Includes #14,15,16 & 19 for Series Land Rover.	\$ 36.95
RNK8220	Includes #20 & 21 for Defender	\$ 62.49



Pedal Pads Series II, IIA & III

Replaces worn rubber clutch, brake and accelerator pedal pad. No-slip.

RNB661	Clutch/Brake.....	\$ 9.49
RNC185	Accelerator.....	\$ 4.64
RNK8211	Complete Set.....	\$ 21.95

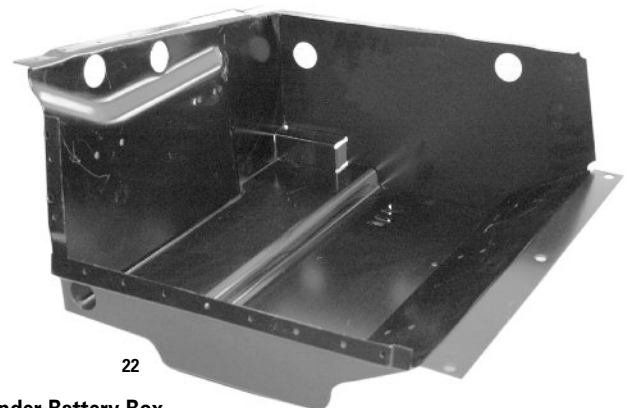
Defender 90 Pedal Pads

RNC655	Clutch / Brake Manual.....	\$ 8.84
RNC881	Brake Automatic	\$ 6.99
RNA904	Accelerator.....	\$ 4.49
RNK8226	Pedal Pad Set Automatic	\$ 9.95
RNK8225	Pedal Pad Set Manual.....	\$ 20.95

Center Seat Storage

Tool Tray Accessories for Series II, IA & III

PLD274	Hasp lock for tool tray	\$ 3.49
RND275	Tumbuckle for hasp lock	\$ 6.95



Defender Battery Box

22. RNH624	Battery Box.....	\$ 299.00
------------	------------------	-----------

Trim For Footwells, Front Doors and Floor, Series IIA, III, & Defender Models

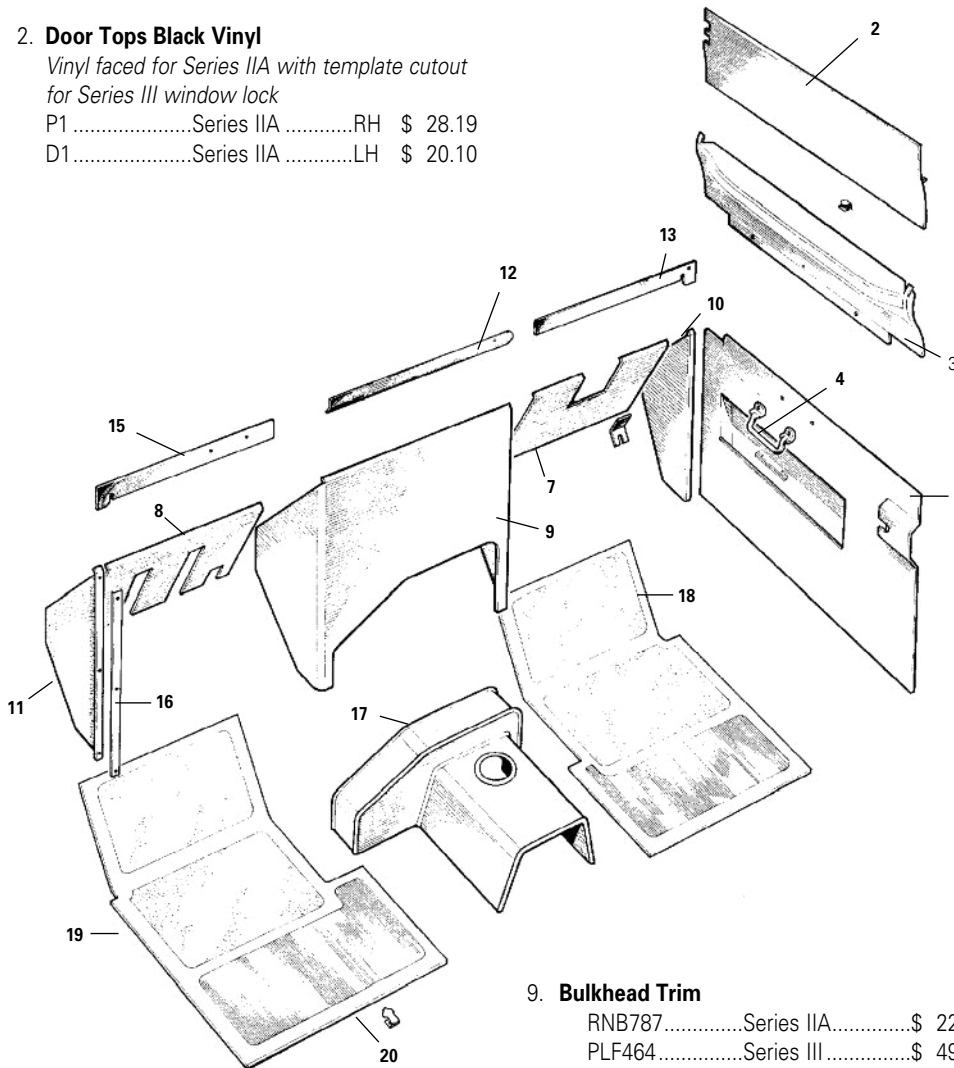
1. Door Bottoms Black Vinyl

- P4.....Series IIARH \$ 51.95
- D4.....Series IIALH \$ 51.95

2. Door Tops Black Vinyl

Vinyl faced for Series IIA with template cutout for Series III window lock

- P1.....Series IIARH \$ 28.19
- D1.....Series IIALH \$ 20.10



9. Bulkhead Trim

- RNB787.....Series IIA.....\$ 22.95
- PLF464.....Series III.....\$ 49.50

10. Kick Panel Trim RH

- RNB790.....Series IIA, III.....\$ 21.95

11. Kick panel Trim LH

- RNB789.....Series IIA, III.....\$ 21.95

12. Retainer Strip Center

- RNE378.....Series IIA, III.....\$ 34.59

13. Retainer Strip RH

- RNE378.....Series IIA, III.....\$ 34.59

15. Retainer Strip LH

- RNE377.....Series IIA, III.....\$ 31.15

16. Retainer Strip Vertical (2 required)

- RNB785.....Series IIA.....\$ 34.95
- RNE375.....Series III.....\$ 38.49

17. Tunnel Cover

- RNC128.....Series IIA, III.....\$ 78.00

18. Floor Mat RH

- PLB7834 cyl, ProLine\$ 33.95

19. Floor Mat LH

- PLB784 4 cyl, ProLine.....\$ 33.95

20. Mat Clip

- RNB983\$ 5.25

Front Carpet Set

Black, insulated, heavy duty carpet set consisting of driver, passenger, bulkhead, and tunnel cover carpets.

- RNE480\$154.96

21. Rear Door Interior

- RNC127\$124.95

Latch Cover

- RNC105.....RH...\$ 27.95

22. Rear Door Grab Handle

- RNB056\$ 15.49

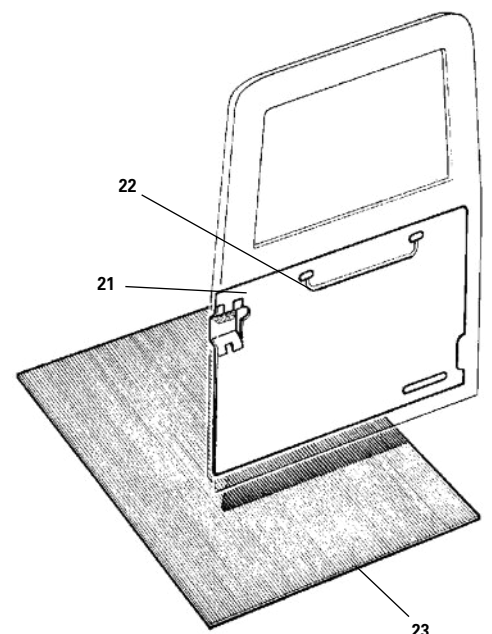
23. Rear Floor Mat

- RNB786 88", Genuine.....\$ 40.95
- PLB786 88", ProLine.....\$ 44.95
- RNB792 109" Rear.....\$124.80
- RNF468 Defender 90 soft top...\$176.87
- RNI061 Defender 90 SW\$227.95
- RND268 Defender 110 SW\$214.95

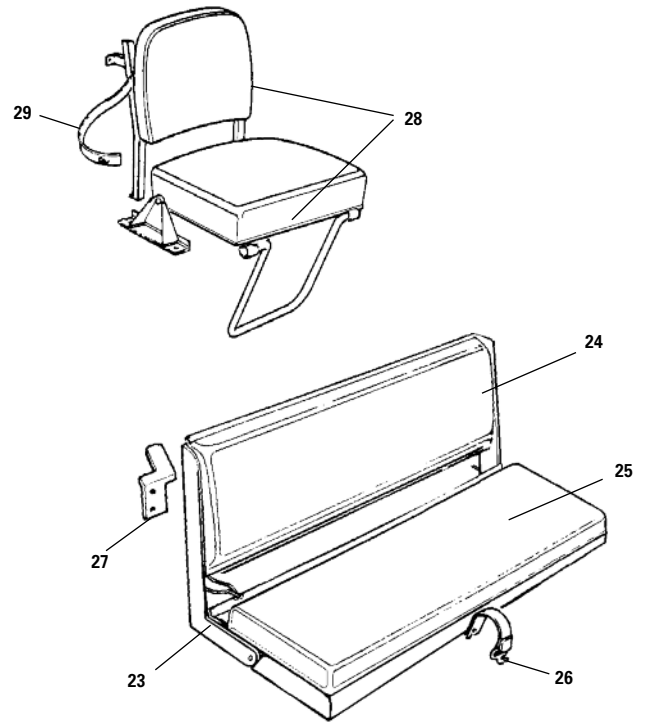
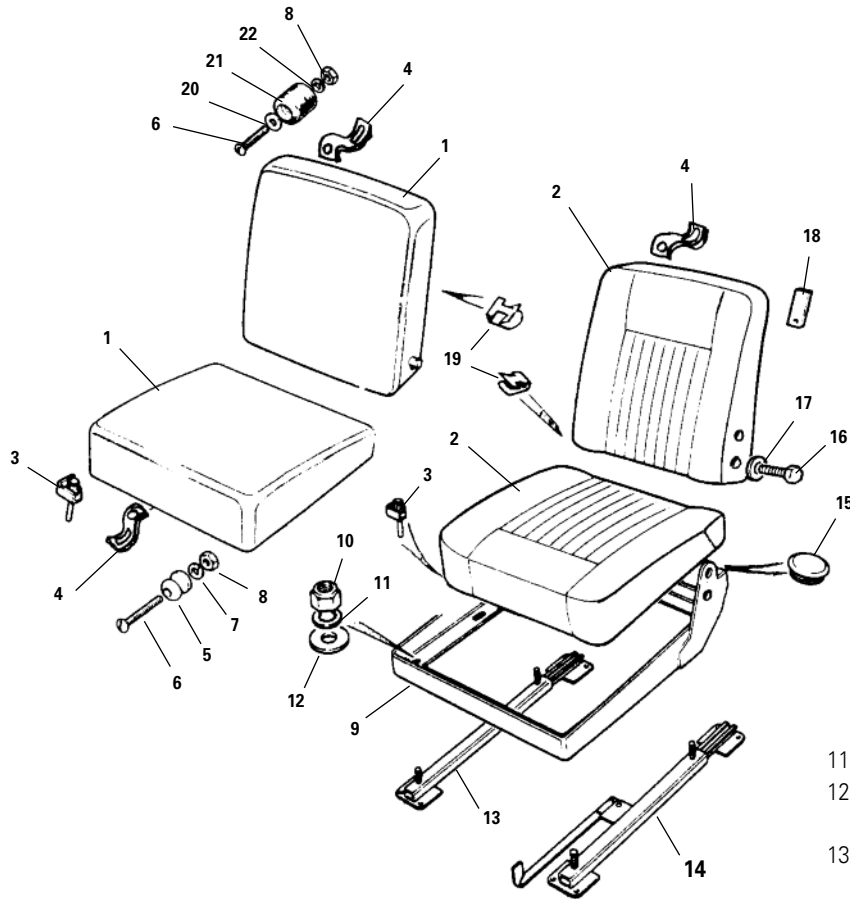
Middle Floor Mat

- RNB791109" Middle\$ 64.49
- RNI070.....110 Middle\$ 92.95

For further information on rear door interior see page 60.



BODY - INTERIOR



Front Seat Cushions Series II, IIA, III

1. Genuine Front Flat Cushion in Black Vinyl

As fitted to Series III including military models, 90/110. Comfortable and extremely durable. Replaces Series II, IIA grey cushions.

RNB709	Bottom, Driver/Passenger, adjustable frame	\$ 129.95
RNB977	For non-adjustable frame	\$ 99.95
RNE353	Back, Driver/Passenger	\$ 122.95
RNB710	Bottom, Center	\$ 89.95
RNE352	Back, Center	\$ 134.19

2. Deluxe Style Cushions

In black vinyl as fitted to USA Land Rovers from 1968 thru 1974. Looks like the original.

RNB971	Bottom, Driver/Pass	\$ 65.00
RNB972	Back, Driver/Pass	\$ 65.00
RNB973	Bottom, Center	\$ 61.95
RNB974	Back, Center	\$ 69.95

3. RNB976	Plastic Corner for Bottom Cushions	\$ 0.59
RNE644	Rivet for corner	\$ 0.36

4. Leather Retainer Strap for Cushions

RNB765	All Back Cushions	\$ 3.19
RNB799	Bottom, Driver/Passenger	\$ 5.39
RNB800	Bottom Center	\$ 2.17

5. RNE382	Stud for securing retainer straps to seat box or rear body rail	\$ 2.99
-----------	---	---------

6. RNC686	Screw	\$ 0.45
7. RNF432	Locker	\$ 0.38
8. RNF215	Nut	\$ 0.33

9. Adjustable Tray

RNB978	for driver or passenger cushion set	\$ POA
10. RNE452	Nut for Securing Adjustable Tray	\$ 2.79

11. RNS037	Locker	\$ 0.42
12. RNF416	Flat Washer	\$ 0.59

Adjustable Track

13. RNF327	Adjustable Track	\$ 119.60
RNE450	Nut for New Adjustable Track	\$ 0.95

14. Adjustable Track with handle

RNF326	Driver	\$ POA
RNF326	Passenger	\$ POA
RNF262	Screw for Adjustable Track	\$ POA

15. RNB747	Rubber Stop for Back Cushion	\$ 1.35
16. RNB796	Shoulder Bolt	\$ 1.25
17. RNB975	Plastic Packaging Washer	\$ 0.59
RNA964	Flat Metal Washer	\$ 0.65
18. PLB895	Rubber Block for Back Cushions	\$ POA
19. RNE645	Retainer Clip for Vinyl	\$ 0.36
20. RNF421	Flat Washer	\$ 0.45
21. RNB028	Rubber Stop for Back Cushions. Affixes to body brackets behind back cushions	\$ 2.29
22. RNF423	Locker	\$ 0.55

Rear Folding Seat Assembly in Black Vinyl

23. PLB711	Rear Folding Seat Assembly in Black Vinyl	\$ 149.95
24. PLC129	Back Cushion, Black Vinyl	\$ POA
25. PLB708	Bottom Cushion, Black Vinyl	\$ 49.00
26. RNB683	Canvas Strap with Hook	\$ 13.00
27. RNE335	Bracket, Seatback.....Right	\$ 1.49
RNE336	Bracket, Seatback.....Left	\$ 1.29

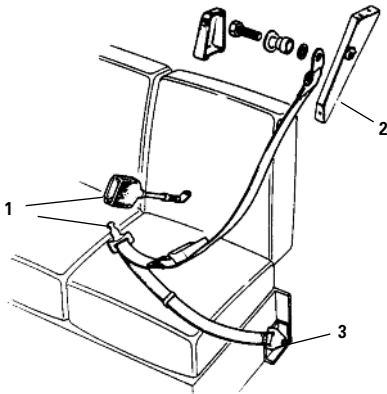
Rear Inward Facing Jump Seat Assembly Black Vinyl

28. RJS1000	88" Series II, IIA and III, ProLine	\$ 265.95
RJS1000D	Defender 90 all models, ProLine	\$ 269.95
29. RNB894	Strap to securing bottom cushion when folded up	\$ 17.59

Waterproof Cover Set for Rear Jump Seats, Defender (set of 4)

RNF373		\$ 259.95
--------	--	-----------

Safety First! Modern Seatbelt Assemblies Series II, IIA, III

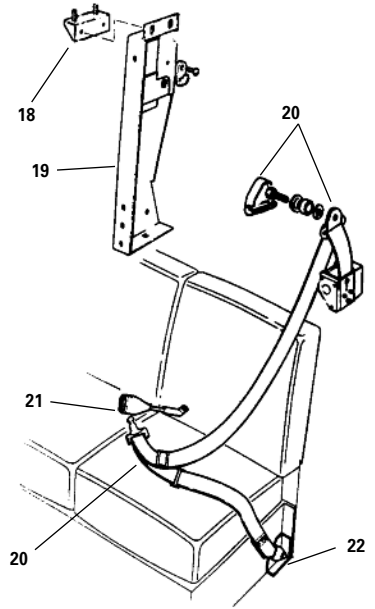


1 Static Shoulder Harness
All Hardtop Models

1 Static Shoulder Harness

All Hardtop Models

- 1. RNF354 Left (Driver).....\$ 137.95
- RNF353 Right\$ 137.95
- 2. Mounting Bracket Top
- RNC113 Left\$ 9.99
- RNC112 Right\$ 10.35
- 3. Mounting Bracket Bottom
- RNB899 Left\$ 12.04
- RNB898 Right\$ 12.79



4 Truck Cab 88 & 109 Inertia Shoulder Harness

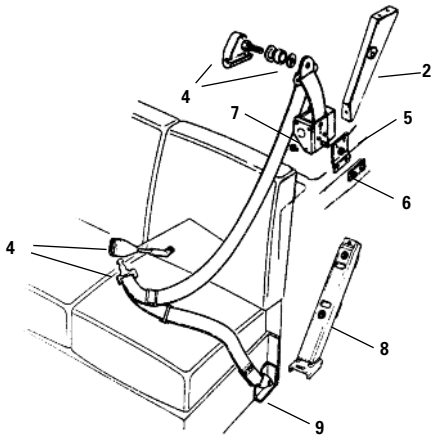
2 Inertia Shoulder Harness

All Hardtop Models Except 109 Station Wagon Front

- 4. RNF371 Harness assembly Left (Driver).....\$ 214.95
- RNF370 Harness assemblyRight\$ 214.95
- 5. RNE268 Fastener Bracket for Reel.....\$ 18.49
- 6. RNE270 Nut Plate for Fastener Bracket.....\$ 9.49
- 7. RNF283 Bolts for Nut Plate (2 Required)\$ 2.75
- 8. Mounting Bracket Bottom

Used for 109 Middle Seat Outer Shoulder Harness

- RNB957 Left or Right\$ 52.50
- 9. Mounting Bracket Bottom
- RNB899 Left\$ 12.04
- RNB898 Right\$ 12.79

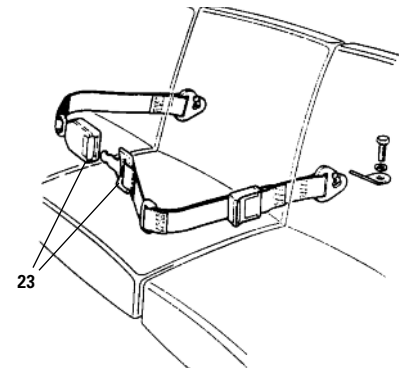


2 Inertia Shoulder Harness
All Hardtop Models Except 109 Station Wagon Front and Truck Cab

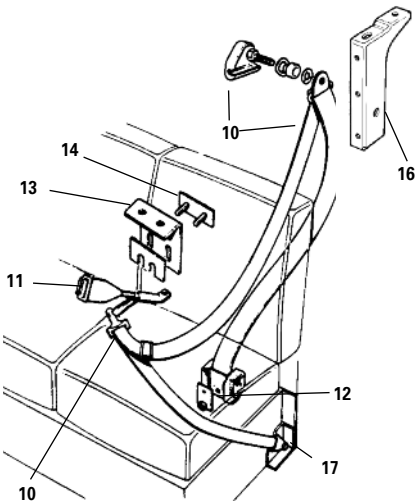
3 109 Station Wagon Inertia Shoulder Harness

Front Only

- 10. RNC901 Reel Assembly.....Left\$ 100.59
- RNC902 Reel Assembly.....Right\$ 119.29
- 11. RNC926 Buckle Assembly.....Left\$ 34.95
- RNC925 Buckle Assembly.....Right\$ 34.95
- 12. RNE269 Fastener Bracket for Reel.....\$ 9.95
- 13. RNC108 Mounting Bracket for Buckle Assembly and Middle Lap Belt\$ 24.95
- 14. RNC116 Stud Plate\$ 8.95
- 16. RNB964 Mounting Bracket TopLeft\$ 39.95
- RNB963 Mounting Bracket TopRight\$ 39.95
- 17. RNB899 Mounting Bracket Bottom Left\$ 12.04
- RNB898 Mounting Bracket Bottom Right\$ 12.79

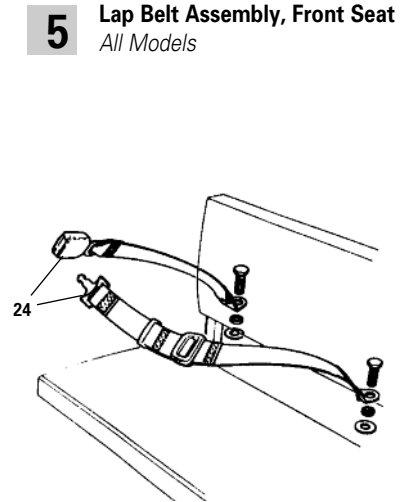


5 Lap Belt Assembly, Front Seat
All Models



4 Truck Cab 88 & 109 Inertia Shoulder Harness

- 18. RNC107 Stud Bracket.....\$ 84.59
- 19. RNF469 Mounting Bracket Left(Driver)....\$ 23.40
- RNE267 Mounting BracketRight\$ 23.40
- 20. RNC901 Reel Assembly.....Left\$ 100.59
- RNC902 Reel Assembly.....Right\$ 119.29
- 21. RNC926 Buckle Assembly.....Left\$ 34.95
- RNC925 Buckle Assembly.....Right\$ 34.95
- 22. RNB899 Mounting Bracket Bottom Left\$ 12.04
- RNB898 Mounting Bracket Bottom Right\$ 12.79



6 Lap Belt Assembly, Rear Seat
All Models

3 109 Station Wagon Inertia Shoulder Harness
Front Only

5 Lap Belt Assembly, Front Seat

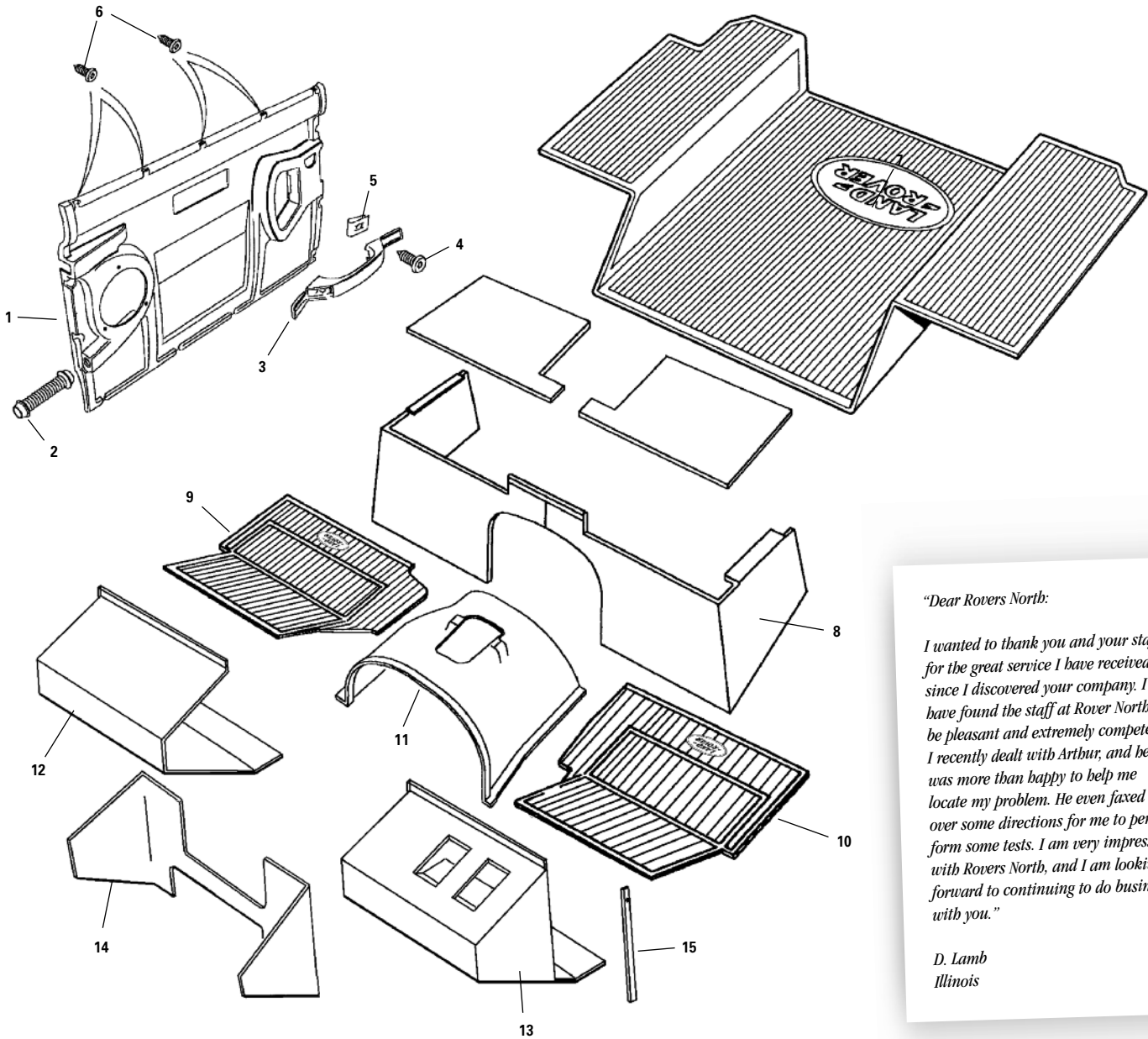
Front Seat All Models & 109 SW Middle

- 23. RNF234 Lap Belt 88" & 109" Reg., Genuine \$ 97.95
- PLF234 Lap Belt 88" & 109" Reg., ProLine..\$ 39.95
- RNE385 109" SW front & middle\$ 141.95

6 Lap Belt Assembly Rear Inward Facing Seats

- 24. RNE384 Lap Belt\$ 145.95

Body - Interior Defender NAS 90, 110



"Dear Rovers North:

I wanted to thank you and your staff for the great service I have received since I discovered your company. I have found the staff at Rover North to be pleasant and extremely competent. I recently dealt with Arthur, and he was more than happy to help me locate my problem. He even faxed over some directions for me to perform some tests. I am very impressed with Rovers North, and I am looking forward to continuing to do business with you."

D. Lamb
Illinois

Interior Defender 90, 110

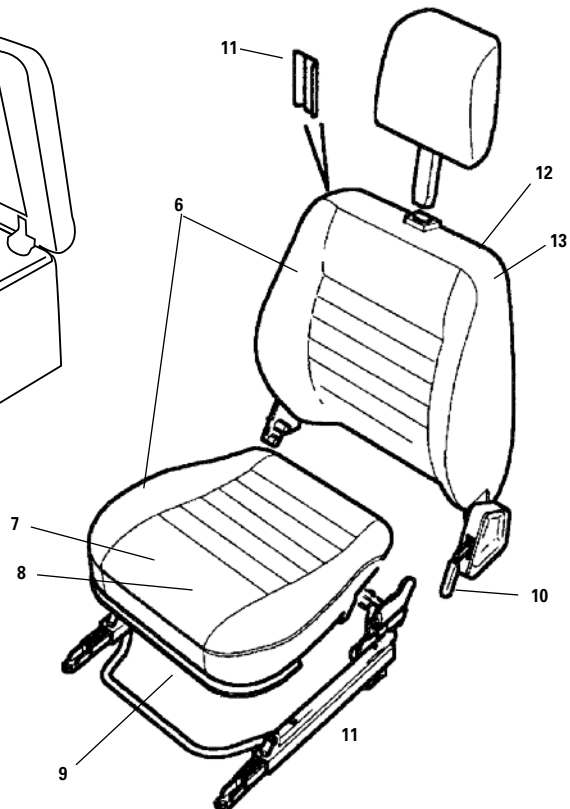
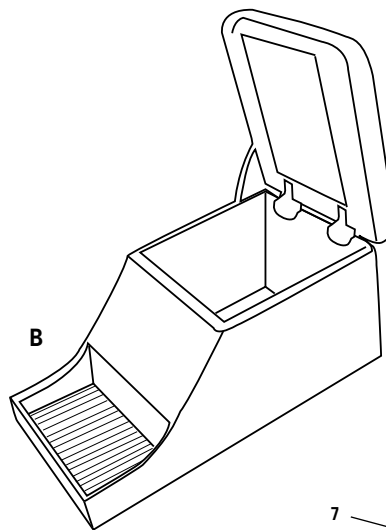
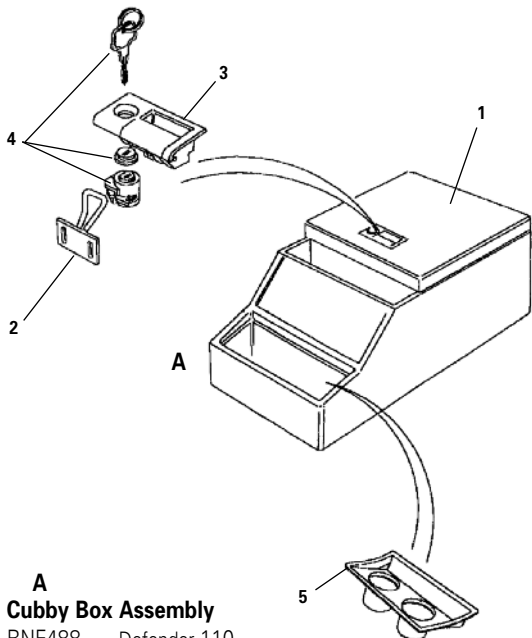
Door Interior

1. Defender 90 Soft Top with Pocket

RNF470	Defender 90 1994 Black.....RH.....	\$ 269.95
RNF471	Defender 90 1994 Black.....LH.....	\$ 268.95
RNF472	Defender 90 1995, 1997 Grey.....RH.....	\$ 338.00
RNF473	Defender 90 1995, 1997 Grey.....LH.....	\$ 338.00
2. RNE622	Accordion Grommet.....	\$ 12.49
3. RNF474	Interior Handle.....	\$ 2.99
4. RNF475	Screw for Handle.....	\$ 0.57
5. RNF476	Fixed Nut for Handle.....	\$ 0.59
6. RNC793	Screw for Interior Panel.....(13 req'd).....	\$ 0.74
7. RNF468	Rear Load Space Mat, Defender 90 Soft Top.....	\$ 176.87
RNI061	Rear Load Space Mat, Defender 90 SW.....	\$ 227.95

8. RNF479	Outer Trim Seat Base.....	\$ 93.95
9. Floor Mat - Insulated Heavy Duty Rubber		
RNF480	Floor Mat, Insulated HD.....RH.....	\$ 123.95
10. RNF481LH.....	\$ 123.95
11. RNF482	Tunnel Cover-Insulated Heavy Duty Rubber.....	\$ 98.59
12. Footwell Insert-Insulated HD Rubber		
RNF483	Updated one-piece version, as shown .RH.....	\$ 44.72
13. RNF484LH.....	\$ 45.95
14. RNF485	Center Dash Cover-Insulated HD Rubber.....	\$ 124.95
15. RNF486	Retainer for Footwell Interior.....RH.....	\$ 6.65
RNF487LH.....	\$ 6.65

**For Rear Load Space Mats, for Defender 110 Station Wagons See Page 45



A
1. Cubby Box Assembly

RNF488	Defender 110	\$ 517.95
RNF489	Defender 90 Manual Gearbox.....	\$ 595.00
2. RNF490	Striker Lock	\$ 8.69
3. RNF491	Latch Assembly	\$ 18.50
4. RNF492	Lock Set with Key	\$ 29.19
RNI032	Key Blank Only	\$ 5.89
5. RNF493	Cup Holder Insert	\$ 52.78

B
Trakkers Cubby Box

High quality and economical, constructed of vinyl covered wood with hinged padded lid. Flip up lid without latch or lock.

RNA9003	Black Vinyl Trakkers Cubby Box	\$ 219.95
RNA9003GR	Grey Vinyl Trakkers Cubby Box	\$ 169.95

C
Tuffy Security Box

16 gauge steel with durable black powder coated finish. Replaces factory cubby box to keep valuables safe. Fits all sizes DIN mount stereos. Optional cup holder included.

RNA1700	Tuffy Security Box, 24L x 12 1/2 W x 18 1/2 H	\$ 289.95
---------	--	-----------



6. Defender 90 Front Seat Assembly

We have a large selection of new take off and various conditions of used seats in stock. Please inquire for upholstery selections and pricing.

7. Cushion Assembly Bottom

RNF494	Defender 110 Station Wagon.....	\$ 299.95
RNF495	Defender 90, 1994, 1995 Soft Top.....	\$ 294.95
RNF494	Defender 90, 1995 Station Wagon.....	\$ 299.95
RNF496	Defender 90, 1997 Soft Top.....	\$ 207.95
RNF497	Defender 90, 1997 Station Wagon.....	\$ 289.95

8. Factory Cover for Bottom Cushion

RNF498	Defender 110 Station Wagon.....	\$ 157.95
RNF499	Defender 90, 1994, 1995 Soft Top	\$ 103.00
RNF498	Defender 90, 1995 Station Wagon.....	\$ 157.95
RNF500	Defender 90, 1997 Soft Top	\$ 67.60
RNF501	Defender 90, 1997 Station Wagon.....	\$ 67.95
9. RNF502	Rubber Finisher Strip	\$ 22.50

10. RNF503	Knob for Recline Lever	\$ 19.95
11. RNF504	Protection Strip	\$ 4.15

12. Seat Back Assembly with Pocket

RNF505	Defender 110 Station Wagon.....RH.....	\$ 769.00
RNF506	Defender 110 Station Wagon.....LH.....	\$ 729.00
RNF507	Defender 90, 1994, 1995 Soft Top....RH.....	\$ 689.95
RNF508	Defender 90, 1994, 1995 Soft Top....LH.....	\$ 689.95
RNF505	Defender 90, 1995 Station Wagon....RH.....	\$ 769.00
RNF506	Defender 90, 1995 Station Wagon....LH.....	\$ 729.00
RNF509	Defender 90, 1997 Soft Top.....RH.....	\$ 503.95
RNF510	Defender 90, 1997 Soft Top.....LH.....	\$ 503.95
RNF511	Defender 90, 1997 Station Wagon....RH.....	\$ 504.95
RNF512	Defender 90, 1997 Station Wagon....LH.....	\$ 499.95

13. Factory Cover for Seat Back with Pocket

RNF513	Defender 110 Station Wagon	\$ 219.95
RNF514	Defender 90, 1994, 1995 Soft Top	\$ 149.95
RNF513	Defender 90, 1995 Station Wagon	\$ 219.95
RNF582	Defender 90, 1997 Soft Top	\$ 128.95
RNF515	Defender 90, 1997 Station Wagon	\$ 140.95

RNA1009	Seat Riser Kit for Defender	\$ 62.95
---------	-----------------------------------	----------

**Waterproof Seat Cover Set
Defender 90, 110**

Protect your Land Rover's cloth seats from dirt, mud, dogs and kids.

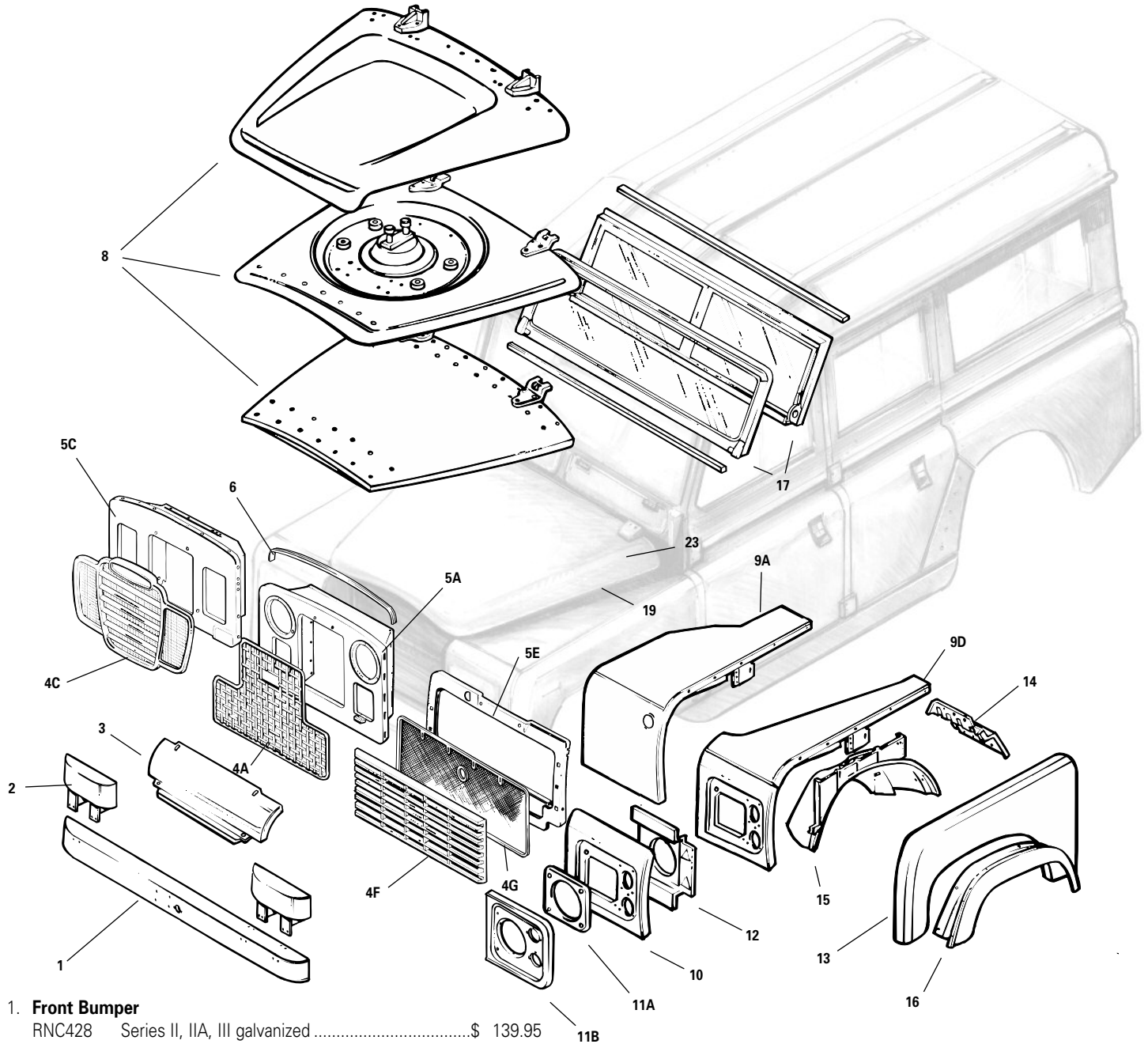
These grey-coloured waterproof nylon covers are exceptionally hard wearing and comfortable in use. Ideally suited for the active Land Rover.



RNF372	Defender 90, 110 Front Seat Set.....	\$ 207.97
RNF375	Defender 110 Middle Seat Set	\$ 239.95
RNF373	Defender 90, 110 SW Rear Jump Seat Set (set of four).....	\$ 259.95

BODY - INTERIOR

Body Parts - Front



1. Front Bumper

RNC428	Series II, IIA, III galvanized	\$ 139.95
RNE433	Military Air Portable galvanized	\$ 147.95
RNE443	Defender 90 & 110 galvanized.....	\$ 177.95
RNC872	Defender 90 & 110 USA black '93 & '94	\$ 479.95
RNC877	Defender 90 USA black '95 on.....	\$ 269.95
RNE405	Bumper Bolts Series II, IIA, III.....	\$ 1.74
RNE468	Nyloc Nuts Series II, IIA, III.....	\$ 0.91

2. Override for Front Bumper (2 required)

RNF182	Series II, IIA, III, 90, 110.....	\$ 102.95
RNC387	Military Air Portable.....	\$ 193.95

Lifting, Towing Ring

RNB611	Set Includes 2 Rings With Hardware ..	\$ 84.95
RNE426	To match new front bumper, each:.....	\$ 33.50



3. Apron Panel

RNC110	Series IIA, III.....	\$ 47.95
--------	----------------------	----------

4. Grill

4A.	RNB723	Series II, IIA, 1959-68	\$ 82.16
	RNF516	Series IIA, 1969-71	\$ 78.00
4C.	PLB918	Series III Grill	\$ 69.95
	RNE285	Series 109 V8	\$ 174.95
4F.	RNC842	Defender 90, 110 in Black (paintable)	\$ 38.95
4G.	RNE309	Hand Guard Defender 90, 110	\$ 122.95

5. Radiator Panel

5A.	RNF577	Series II, IIA 1959-68.....Used only	\$ 215.28
	RNF578	Series IIA, 1969-71	\$ 210.31
5C.	RNB959	Series III, 1972 On.....	\$ POA
	RNB955	Military Air Portable	\$ 430.49
5E.	RNE376	Defender 90, 110 non-air	\$ 150.95
	RNC889	Defender 90, 110 with air conditioning.....	\$ POA



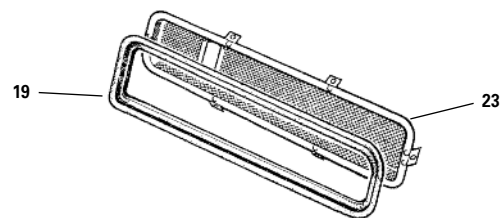
A young enthusiast chooses his favorite.

- 6. RNB672 **Bonnet Cloth Strip**\$ 20.19
- RNB886 **Bonnet Strip Clips (10 required)**\$ 0.53
- 7. RNB927 **Bonnet Bush Series III, 90, 110 bonnet hinge**
See Bonnet section, page 52.....\$ 3.49
- 7A. RNB821 **Bonnet Bumper at rear edge** (2 reqd.)
See Bonnet section, page 52.....\$ 13.49
- 8. RNH646 **Bonnet Deluxe Style**\$ 395.00
We have a large selection of new and used plain and deluxe style bonnets for all Series II, IIA, III, 90 & 110 including military models See Bonnet section page 52
- RNE284 **Bonnet close pin assembly** Series II, IIA, III, includes pin spring & locknut attaches to bonnet\$ 17.95
- RNF517 **Receiver for Close Pin** mounts to top of radiator panel.....\$ 13.00
- RNB814 **Bonnet release latch assembly Series II, IIA, III,** mounts to underside of radiator panel\$ 112.95
- RNE288 **Bonnet prop rod assembly** Series II, IIA, III\$ 45.95
- RNE272 **Military Bonnet Fastener**.....Male End\$ 26.99
- RNB668 **Military Bonnet Fastener**.....Female End ...\$ 8.49
- 9. **Top & Inner Wing Panel Assembly**
Complete with front light panel
- 9A. RNE563 Series II, IIA thru 1968Right\$ 299.95
- RNF452 Series II, IIA thru 1968Left\$ 299.95
- RNF386 Series IIA, 1969 on and Series III..Right\$ 439.49
- RNH645 Series IIA-III, 69 on New Old Stock..Right.....\$ 395.00
- RNF385 Series IIA, 1969 on and Series III..Left\$ 859.95
- RNH644 Series IIA-III, 69 on New Old Stock..Left.....\$ 395.00
- 9D. RNH639 Defender 90 & 110.....Right.....\$ 479.95
- RNH638 Defender 90 & 110.....Left\$ 469.76
- 10. **Front Panel**
- RNB909 Series IIA, III 1969 on.....Right\$ 69.95
- RNB910 Series IIA, III 1969 on.....Left\$ 69.95
- RNF397 Defender 90 & 110 USARight\$ 79.95
- RNF398 Defender 90 & 110 USALeft\$ 89.95
- 11. **Bezel**
- 11A. RNB911 Series II, IIA 1969 onRight or Left ...\$ 32.95
- 11B. RNC929 Def 90, 110 '93 & '94 USA black...Right.....\$ 39.95
- RNC928Left\$ 39.95
- RNC899 Def 90, '95 & '97 USA black.....Right\$ 23.39
- RNC900Left\$ 23.39
- 12. **Backing Piece**
- RNB907 Series IIA, III 1969 on.....Right\$ 56.95
- RNB908 Series IIA, III 1969 on.....Left\$ 49.95
- RNE296 Defender 90, 110 USARight\$ 47.95
- RNE297 Defender 90, 110 USALeft\$ 47.80

- 13. **Front Wing Side Panel**
- RNB946 Right with hole\$ 199.95
- RNF384 Series II, IIA, IIIRight\$ 169.95
- PLB728 Series II, IIA, IIILeft\$ 128.95
- RNF227 Defender 90 & 110.....Right\$ 199.95
- RNF226 Defender 90 & 110.....Left\$ 199.95
- RNF227 Defender 90, 110 USARight\$ 199.95
- RNF226 Defender 90, 110 USALeft\$ 199.95
- RNC844 **Bolt for Wing to Bulkhead Bolt Series IIA, III** ..\$ 0.99
- RNC815 Spire Nut for Wing/Bulkhead (for RNC844).....\$ 0.89

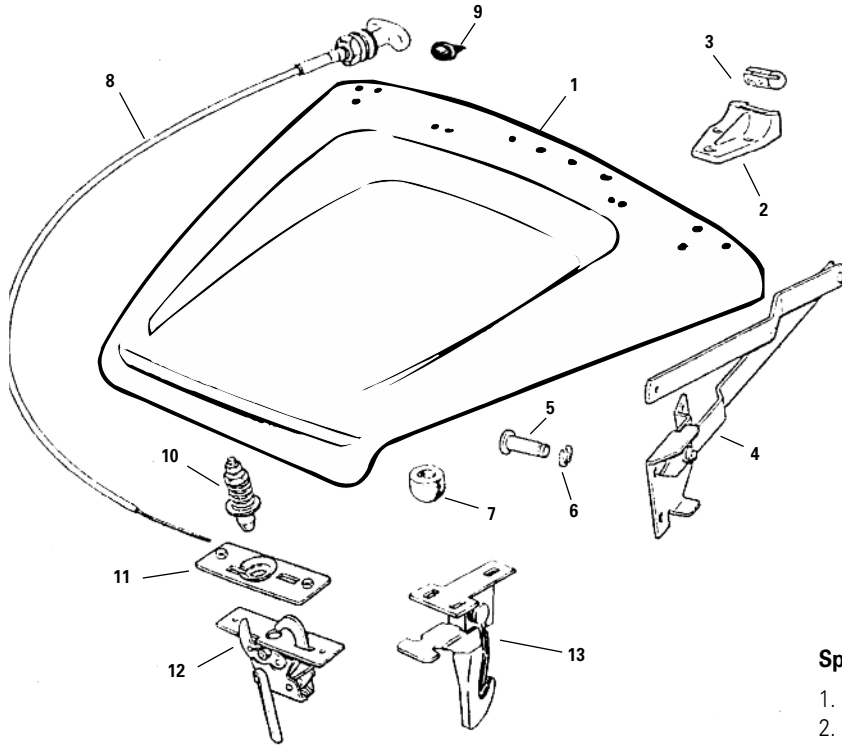


- 14. **Splash Guard Replacement Non-Genuine**
18 ga. galvanized pieces ready to bolt in.
LHD listed (RHD also available)
- RNB730 Series IIA Suffix A-FDriver's side...\$ 36.95
- RNB731 Steering box cover\$ 33.94
- RNB729 Passenger's side.....\$ 36.95
- Late Series IIA, III
- RNE278 With Dual Power BrakesDriver's side...\$ 39.95
- RNB731 Steering box cover\$ 33.94
- RNE277 Passenger's side.....\$ 39.95
- 15. **Inner Wheel Arch Defender 90,110,130**
- RNC891 Defender 90,110,130RH.....\$ 207.14
- RNC892 Defender 90,110,130LH.....\$ 209.95
- 16. **Eye Brow Defender 90, 110, 130** Black, paintable also available
- RNE291 FrontRH.....\$ 139.95
- RNE290 FrontLH.....\$ 139.95
- RNC819 RearRH & LH.....\$ 53.95
- RNC806 Plastic Rivet for Eye BrowEach.....\$ 0.92
- 17. **Windscreen Frame** *See windscreen section page 53*

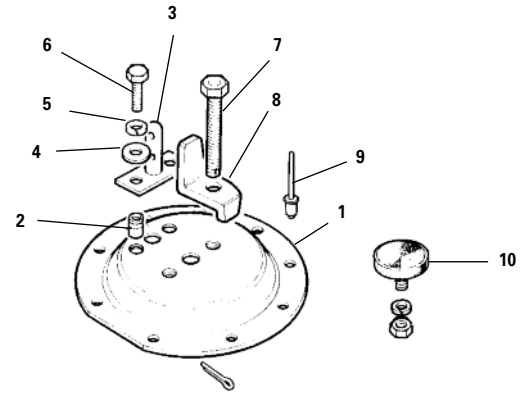


- 19. RNB739 Rubber Vent Seal, GenuineSeries IIA\$ 15.49
- PLE365 Rubber Vent Seal, ProLineSeries III\$ 21.95
- 23. RNI049 Vent Screen\$ 119.95

Body Parts - Bonnet



1. **Bonnet** Deluxe style with indent for spare
 RNE257 Series II, IIA, III\$ 759.95
 RNF220 Defender 90, 110\$ 799.95
2. **Hinge**
 RNB928 Series IIIRight\$ 5.65
 RNB929 Series IIILeft\$ 6.49
 RNC813 Defender 90, 110Right and Left...\$ 25.95
3. RNB927 Bushing for Bonnet Hinge.....\$ 3.49
4. **Prop Rod Bonnet**
 RNE288 Series II, IIA, III with mounting base\$ 45.95
 RNE364 Defender 90, 110 without mounting base.....\$ 25.95
5. RNB864 Pin for securing prop rod to bonnet.....\$ 1.04
6. RNB865 C Clip for pin\$ 0.39
7. RNB999 Rubber Bumper for front edge 90, 110\$ 2.35
8. RNC843 Release cable 90, 110.....\$ 14.74
9. RNB821 Rubber Bumper for bonnet rear edge.....\$ 13.49
10. **Striker Pin with Spring**
 RNE284 Series II, IIA, III, All models except V8 109\$ 17.95
 RNC890 Defender 90, 110\$ 21.49
11. **Receiver Plate, Top**
 RNF517 Series II, IIA, III, All models except V8 109\$ 13.00
 RNE366 Defender 90, 110\$ 3.38
12. **Latch Assembly for bonnet**
 RNB814 Series II, IIA, III.....\$ 112.95
 RNF399 Defender 90, 110 cable operated\$ 34.95
13. RNE367 **Safety Latch 90, 110**.....\$ 13.10

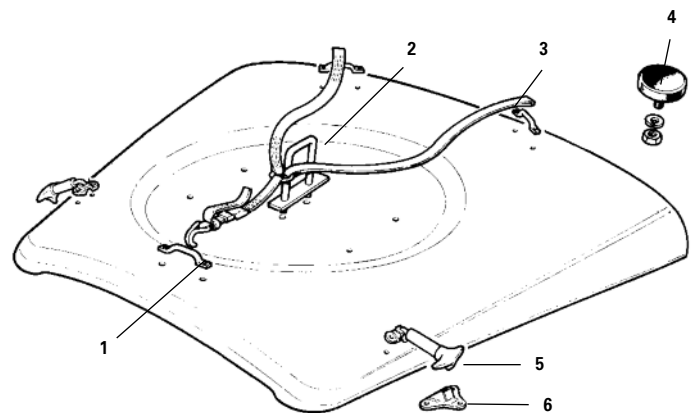


Spare Wheel Carrier For Bonnet Series I, II, IIA, III

- | | | | | |
|-----|--------|---|----|-------|
| 1. | RNB835 | Base Plate..... | \$ | POA |
| 2. | RNC199 | Rivnut for Lock Post..... | \$ | 1.49 |
| 3. | RNB960 | Lock Post..... | \$ | 23.95 |
| 4. | RNF216 | Flat Washer..... | \$ | 0.49 |
| 5. | RNX015 | Lock Washer..... | \$ | 0.16 |
| 6. | RNF280 | Bolt for Lock Post..... | \$ | 0.80 |
| 7. | RNB913 | Securing Bolt..... | \$ | 12.99 |
| 8. | RNB943 | Securing Cam.....3 1/2" leg | \$ | 6.95 |
| 9. | RNC690 | Rivet (9 required)..... | \$ | 0.50 |
| 10. | RNE275 | Rubber Pad Assembly for Bonnet (4 required).... | \$ | 22.95 |

Spare Wheel Carrier For Bonnet Defender

- | | | | |
|--------|-----------------------------------|----|--------|
| RNH419 | Defender 90, 110 Steel Wheel..... | \$ | 309.82 |
| RNH420 | Defender 90, 110 Alloy Wheel..... | \$ | 313.36 |

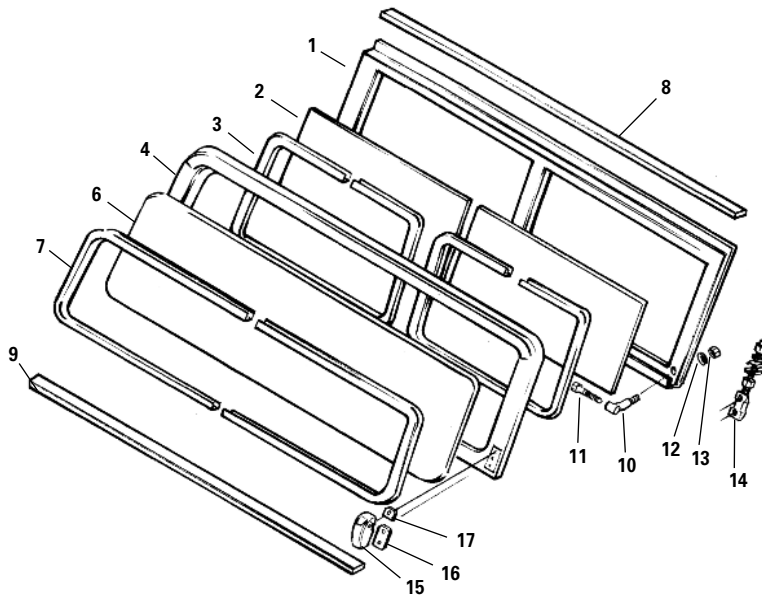


Military Spare Wheel Carrier for Bonnet Series III, will also mount on Series II, IIA

- | | | | | |
|----|--------|-------------------------------------|----|-------|
| 1. | RNB853 | Staple for securing strap..... | \$ | 5.29 |
| 2. | RNF518 | Bracket for wheel center..... | \$ | 34.95 |
| 3. | RNC104 | Strap Assembly..... | \$ | 72.95 |
| 4. | RNE275 | Rubber Pad Assembly for Bonnet..... | \$ | 22.95 |
| 5. | RNE272 | Catch for Bonnet Fastener..... | \$ | 26.99 |
| 6. | RNB668 | Bonnet Fastener..... | \$ | 8.49 |

All sorts of bonnets. We have a large selection of new take-off, used, plain and deluxe style bonnets for all SER II, IIA, III, 90 & 110 including military models. Please inquire.

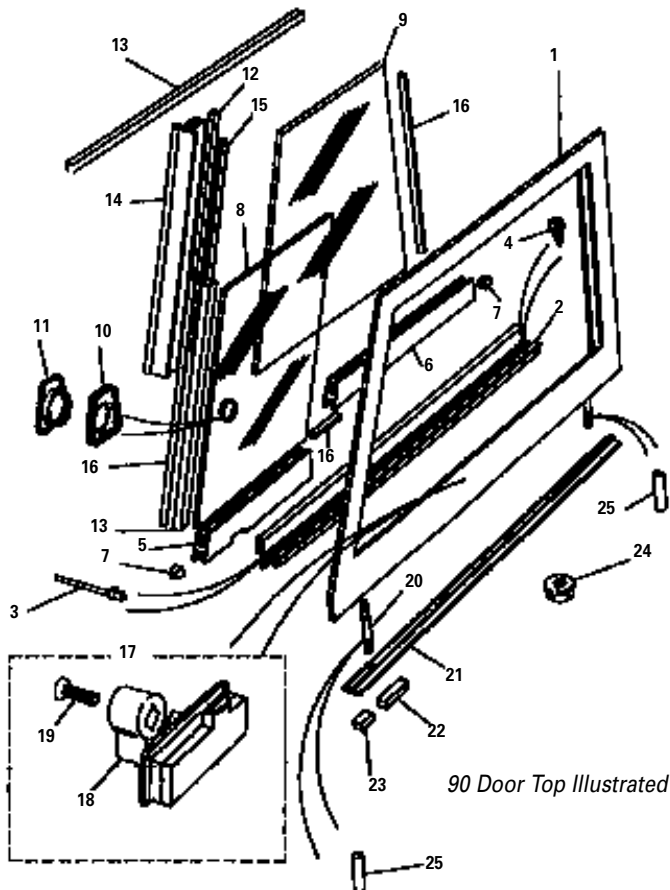




1. **Windscreen Frame** Series II, IIA available. Used only, please inquire.
RNE322 Series III\$ 284.95
2. **Glass Series II, IIA, III Sundym Laminated**
RNE319 Clear, Genuine\$ 132.95
PLE319 Clear, ProLine\$ 57.95
RNE283 Tinted, Genuine\$ 179.95
PLE283 Tinted, ProLine\$ 44.95
RNB962 Heated, tinted.....\$ 289.95
3. **Rubber Seal Strip for Glass**
RNC687 Sold by the meter.....\$ 2.09
GT106 Glazing Putty 50 ft. roll.....\$ 9.88

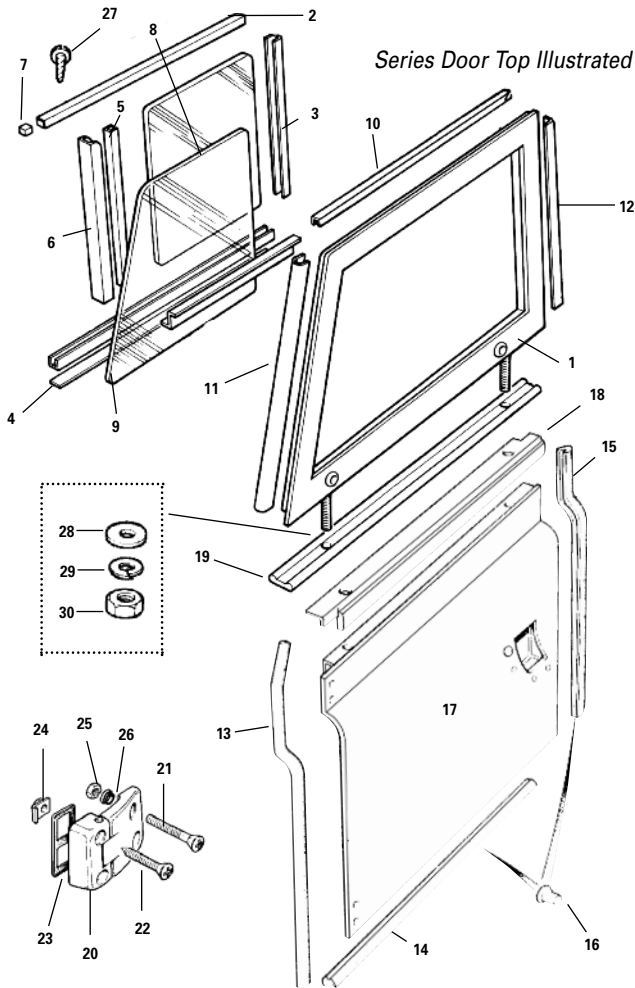
4. RNE361 **Windscreen Frame 90, 110 SW**\$ 499.95
RNC833 Defender 90 Soft top\$ 347.95
5. RNE361 **Windscreen Assembly 90, 110 SW**\$ 499.95
Large selection of used, and new take-off Defender windscreens are available. Please inquire
6. **Glass 90, 110 Laminated**
RNE299 Clear\$ 314.95
RNE304 Tinted.....\$ 304.95
RNC927 Heated, tinted.....\$ 659.00
7. RNE362 Rubber Seal Defender 90, 110.....\$ 97.68
8. RNE342 Seal windscreen to hard top.....Series II, IIA, III \$ 13.49
RNE312 Seal windscreen to hard top.....90, 110\$ 17.95
9. RNE155 Seal windscreen to dashSeries II, IIA, III \$ 9.14
RNE155 Seal windscreen to dash90, 110.....\$ 9.14
10. RNB935 Hinge PinSeries III.....\$ 34.95
11. RNB936 Bolt for Hinge Pin.....\$ 5.59
12. RNA978 Sealing Washer.....\$ 1.59
RNF418 Flat Washer\$ 0.69
13. RNE475 Lock nut for Hinge Pin.....\$ 0.95
14. RNF219 Interior Fixing Assembly.....\$ 22.95
15. RNE369 Bracket Defender 90, 110.....RH.....\$ 21.53
RNE370 Bracket Defender 90, 110.....LH.....\$ 21.53
16. RNE393 Gasket lower\$ 1.05
17. RNE394 Gasket upper\$ 2.38

Front Door Top Assembly for Defender 90



1. PLC835 Door top.....RH.....\$ 479.00
PLC834 Door top.....LH\$ 379.95
2. RNH421 Rail, removableRH.....\$ 67.95
RNH422 Rail, removableLH\$ 59.53
RNH423 Draught seal front / rear.....\$ 5.49
3. RNH424 Rivet.....\$ 0.52
4. RNC790 Screw.....\$ 0.47
5. RNH425 Rail slide outerRH.....\$ 16.64
RNH426 Rail slide outerLH\$ 16.64
6. RNH427 Rail slide inner.....RH.....\$ 16.64
RNH428 Rail slide inner.....LH\$ 16.64
7. RNH429 Runner block.....\$ 1.17
8. RNH641 Glass, outer clear.....\$ 49.29
9. RNH642 Glass, inner clear.....\$ 40.19
10. RNH432 Finger pull outer.....RH.....\$ 4.91
RNH433 Finger pull outerLH\$ 4.91
11. RNH434 Finger pull inner.....RH.....\$ 3.06
RNH435 Finger pull innerLH\$ 3.40
12. RNH436 Glazing rubber.....\$ 5.84
13. RNH508 Glazing felt.....\$ 27.67
14. RNH437 Rail draught.....RH.....\$ 22.86
RNH438 Rail draught.....LH\$ 22.86
15. RNH439 Weather seal, rubber\$ 8.15
16. RNH440 Infill rubber.....\$ 6.95
17. RNH441 Catch windowRH.....\$ 51.25
RNH442 Catch windowLH\$ 53.95
18. RNH443 Knob.....\$ 7.29
19. RNH444 Screw.....\$ 1.10
20. RNH445 Stud.....\$ 9.08
21. RNH446 Seal.....\$ 8.59
22. RNH447 Pad- long.....\$ 1.09
23. RNH448 Pad- short.....\$ 2.66
24. RNE158 Nut, Flanged M10.....\$ 1.19
25. RNH449 Tube spacerFrom SA955972.....\$ 3.06

Body Parts



Front Doors

1. Door Top Frame	
RNB950	Series II, IIA, III, GenuineRight\$ 189.00
PLB950	Series II, IIA, III, ProLineRight\$ 69.95
RNB951	Series II, IIA, III, GenuineDriver's Left ..\$ 189.00
PLB951	Series II, IIA, III, ProLineDriver's Left ..\$ 69.95
Door Top Assembly Complete - Includes Glass and Tracks	
RNE323	Series II, IIA, III, GenuineRight\$ 342.95
PLE323	Series II, IIA, III, Non-Genuine.....Right\$ 159.95
RNE325	Series II, IIA, III, GenuineLeft\$ 349.95
PLE325	Series II, IIA, III, Non-Genuine.....Left\$ 159.95
90 Door Top Assembly - Fits Series II, IIA, III, doors. Corrosion proof, all aluminum construction. Both front and rear glass slide open for improved ventilation.	
PLC835	Defender 90 Door top Assembly ..Right\$ 479.00
PLC834	Defender 90 Door top Assembly ..Left\$ 379.95
Window Tracks Front Door	
2. RNB860	Window Tracks Front Door.....Top.....\$ 4.79
3. RNB861	Window Tracks Front Door.....Back.....\$ 3.69
Window Track Kit Front Door	
RNK801	Window Track Kit Front Doorper side.....\$ 18.95
4. RNB948	Bottom All models.....\$ 7.89
5. RNB742	Vertical Seal for Sliding Glass.....\$ 3.59
6. PLB743	Retainer for Vertical Seal.....\$ 3.99
7. RNB724	Rubber Stop for Sliding Glass\$ 0.89
8. RNE317	Sliding Glass for Door Top.....\$ 59.95
9. RNE316	Fixed Glass for Door Top.....\$ 36.95
Door Seals Front Door 88 & 109, and Defender 90 Soft Top	
10. RNC120	Roof Piece\$ 14.79
11. RNC119	Top Front\$ 14.64

12. RNC121	Top Back.....\$ 14.25
13. RNC114	Bottom Front.....88/ 109.....Right\$ 26.19
RNH450	Bottom Front D90 ST up to SA970286 Right\$ 83.50
RNH451	Bottom Front D90 ST from SA970297 Right\$ 83.50
RNC115	Bottom Front.....88/ 109.....Left\$ 26.95
RNH451	Bottom Front D90 ST up to RA933875.....\$ 83.50
RNH450	Bottom Front D90 ST from RA933876\$ 83.50
14. RNE276	Sill Piece.....88/ 109.....\$ 19.79
RNH452	Sill Piece.....D90 ST up to RA933875.....\$ 23.84
RNH453	Sill Piece.....D90 ST from RA933876\$ 8.19
15. RNC117	Bottom Back88/ 109.....Right\$ 21.49
RNH454	Bottom Back90 Soft Top ..Right\$ 41.95
RNC118	Bottom Back88/ 109.....Left\$ 21.49
RNH455	Bottom Back90 Soft Top ..Left\$ 41.95
16. Rivets for Door Seals	
RNC690	Pop Rivet.....88/ 109.....\$ 0.50
RNC690	Pop Rivet.....D90 ST up to RA933875.....\$ 0.50
RNH456	Pop Rivet.....D90 ST from RA933876\$ 0.53
RNC691	Hammer Rivet.....88/ 109.....\$ 0.39
17. Front Door Bottom	
RNH632	Defender 901994 onlyRight\$ 609.95
RNH633	Defender 901994 onlyLeft\$ 649.95
RNH634	Defender 901995-'97Right\$ 365.30
RNH635	Defender 901995-'97Left\$ 299.95
RNC836	Series II, IIA, III.....Right\$ 423.95
RNC837	Series II, IIA, III.....Left (Driver's) ..\$ 399.95
RNH636	Door Skin LH Front, Series IIA, III..Left\$ 49.95
RNH637	Door Skin LH Front, Series IIA, III..Right\$ 49.95
18. Capping for Door Bottom, painted	
RNE532	Capping.....Right\$ 22.97
RNE533	Capping.....Left\$ 23.95
19. RNB725	Rubber Seal Between Door Top and Bottom.....\$ 6.50
RNK830	Door Seal Kit Front DoorRight\$ 119.95
RNK831	Door Seal Kit Front DoorLeft\$ 119.95

Door Hinges Series II, IIA

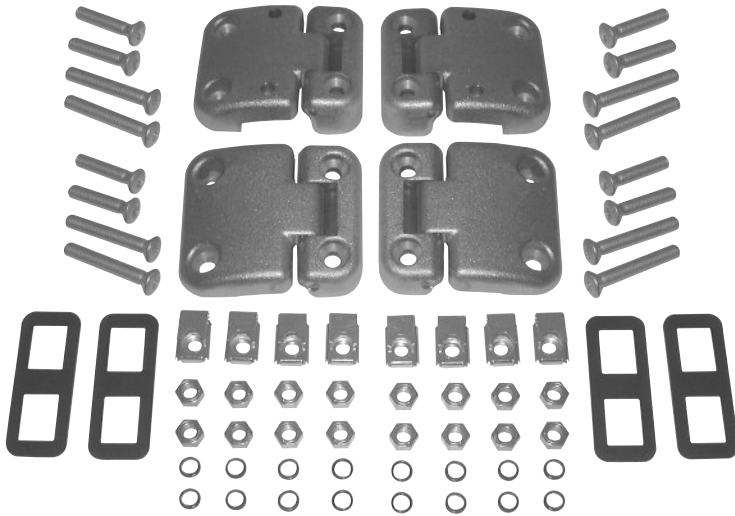
20. RNB915	Top Hinge w/o Mirror HoleRight\$ 20.29
RNB916	Top Hinge w/o Mirror HoleLeft\$ 20.29
RNB919	Top Hinge with Mirror HoleLeft\$ 64.95
RNC916	Bottom HingeRight\$ 49.95
PLB917	Bottom HingeLeft\$ POA
DHK111	Rebuild Kit for all Series II, IIA hinges and all rear door hinges. Includes hinge bolt, spring, bronze bush, locker and nut.....\$ 5.95

Door Hinges Series III, 90, 110 (as shown)

RNE388	Hinge w/o Mirror Mount Right top or bottom.....\$ 21.50
RNE389	Left top or bottom.....\$ 21.50
Top Hinge with Mirror Mount for 90, 110 Style Door Mirrors.	
RNE390	Will Fit Series II, IIA, III.....Right\$ 22.50
RNE391	Will Fit Series II, IIA, III.....Left\$ 22.95
21. Hinge Bolt for Door	
RNC908	Series II, II A.....\$ 1.69
RNE258	Series III, 90, 110\$ 1.50
22. Hinge Bolt for Bulkhead	
RNF283	Series II, II A.....\$ 2.75
RNC704	Series III 90, 110\$ 1.24
23. Plastic Gasket for Door Hinge	
RNB945	Series III 90, 110\$ 1.75
24. Captive Nut for Bulkhead	
RNE256	Series II A 1969 on, Series III, 90, 110\$ 1.74
25. RNS034	Nut for Door Bolt.....\$ 0.75
26. RNE255	Plastic Locker.....\$ 0.75
27. WTSCREW	Screw, stainless steel for securing window track, supplied in bags of 20\$ 3.15

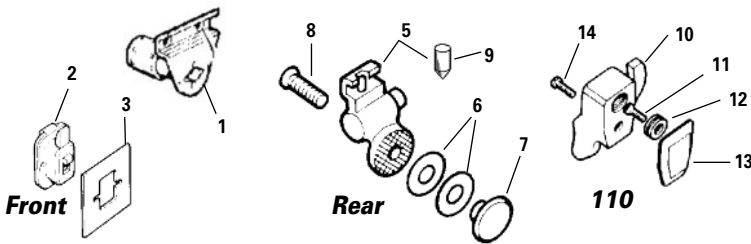
Door Top Hardware

28. RND276	Flat Washer\$ 0.37
29. RND277	Lock Washer 7/16"\$ 0.44
30. RND278	Nut 7/16" UNF\$ 1.45
KINGFAST1	Speednut 7/16" (easy on/off)Series.....\$ 49.95
KINGFAST2	Speednut 10m (easy on/off).....Defender.....\$ 49.95



Genuine Land Rover Hinge Replacement Kit For Front and Side Doors
 Land Rover has designed a new, non-corrosive alloy for both hinges and bolts to prevent exterior body rust. Our kit includes Defender style hinges with mirror holes, all necessary bolts, nuts, washers, gaskets, and clips.

- RNK8060 90/ 88" Series II-III Door Hinge Kit
 Replaces hinges and hardware on both front doors\$ 249.00
- RNK8061 110/ 109" Series II-III Door Hinge Kit
 Replaces hinges and hardware on station wagon front and side doors\$ 459.00



Series Window Locks

Front & Side Door Window Locks

- 1. PLB815 Lock Series I, II, IIA, III thru 1972\$ 23.95
- 2. RNB944 Lock Series III 1973 on\$ 16.95
- 3. RNB970 Mask for Lock\$ 1.30

Rear Locks for Sliding Roofside Windows, Series II, IIA, III

- 5. RNB807 Lock with bullet, Forward Glass\$ 21.98
- RNB808 Rearward Glass\$ POA
- 6. RNB896 Rubber Washer\$ 0.89
- 7. RNB809 Disc Nut\$ 10.79
- 8. RNC693 ScrewForward Glass\$ 3.59
- RNC692 ScrewRearward Glass\$ 1.29
- 9. RNC694 Bullet for Window Lock\$ 5.25

Defender 90, 110

- 10. RNE347 Lock AssemblyRight Side\$ 24.59
- RNE348 Lock AssemblyLeft Side\$ 23.99
- 11. RNE357 Screw\$ 0.93
- 12. RNE356 Button\$ 6.35
- 13. RNE355 Fixing Block\$ 8.75
- 14. RNE358 Screw\$ 0.93

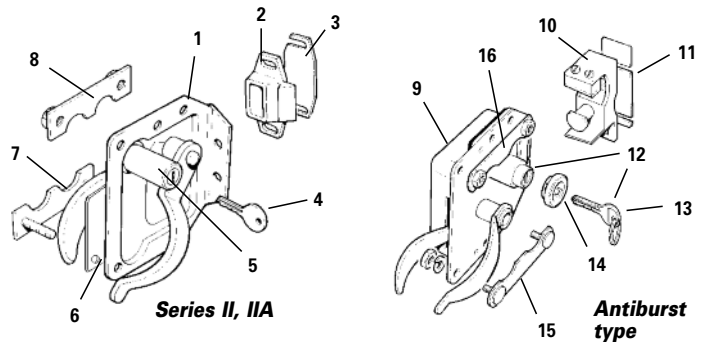
Door Latch Assembly with Lock & Key

Series II, IIA thru 1968

- 1. RNB868 Door Latch Assem ..Left Side (Driver's)\$ 119.95
- RNB867 Door Latch Assem ..Right Side & Rear\$ 123.95

Door Latch Assembly without lock

- RNB901 Door Latch Assem ..Left Side (Driver's)\$ POA
- RNB900 Door Latch Assem ..Right Side & Rear\$ POA
- 2. RNE308 Striker for latch\$ 19.95
- 3. RNB954 Shim for Striker\$ 11.49
- 4. RNC942 Key blank for latch lock\$ 3.25
- 5. PLB707 Lock Cylinder & Key\$ 17.95
- 6. RNC111 Seal Plate for Catch\$ 1.75
- 7. RNC895 Stud Plate\$ 4.15
- 8. RNC896 Nut Plate\$ 3.65



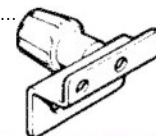
Series IIA 1969 thru 71 – No longer available from Land Rover. Replace with Series III Antiburst Latch Assembly & Striker. The early Series II, IIA thru 68 assembly & striker will also fit, but the lock cylinder protrudes into the handle pocket, not through the hole in the door skin.

Series III, 90 USA Antiburst Latch Assembly

- 9. Door Latch Assembly (Does not include key & tumbler)
 - RNE162 Door Latch Assem ..Left Side (Driver's)\$ 65.95
 - RNE161 Door Latch Assem ..Right Side & Rear\$ 67.50
- 10. **Striker for latch**
 - RNE160 Striker for latch.....Left Side (Driver's)\$ 28.95
 - RNE159 Striker for latch.....Right Side & Rear\$ 28.95
- 11. RNC103 Shim for Striker\$ 2.34
- 12. RNE832 Single Lock Cylinder with two keys\$ 14.19
- RNE840 Key Blank single edged original to Ser. models ...\$ 3.02
- RNE337 2 matched cylinders with 2 keys\$ 25.48
- RNE338 3 matched cylinders with 2 keys\$ 37.44
- RNE339 4 matched cylinders with 2 keys\$ 40.95
- RNC947 Key Blank double edged for matched cylinders...\$ 2.35
- 13. RNE840 Key Blank single edged\$ 3.02
- RNC947 Double edged\$ 2.35
- 14. RNC954 Plastic Trim for Door Lock\$ 3.49
- 15. RNC895 Stud Plate\$ 4.15
- 16. RNC896 Nut Plate\$ 3.65
- RNE392 Seal for Door Latch\$ 2.09

Interior Door Lock

- RNB903 Left Door (Driver's)\$ 19.95
- RNB902 Right Door\$ 19.95



BODY

Body Parts - Doors

Window Tracks Middle Door 109 Station Wagon

1.	RNB949	Top.....	\$ 5.72
2.	RNB861	Back.....	\$ 3.69
3.	RNB949	Bottom.....	\$ 5.72
	RNK802	Window Track Kit Middle Door 109	\$ 16.95

Door Seals Middle Door 109

4.	RNE292	Roof Piece.....	\$ 26.50
5.	RNB826	Front Piece.....	\$ 37.95
6.	RNC121	Top Back.....	\$ 14.25
7.	RNB831	Middle Back.....Right.....	\$ 33.50
	RNB832	Middle Back.....Left.....	\$ 33.50
8.	RNC121	Bottom Back.....	\$ 14.25
9.	RNB827	Sill Piece.....	\$ 12.49

Door Seal Kit Middle Door 109

RNK833	Door Seal Kit Middle Door 109.....Right.....	\$ 137.49
RNK832	Door Seal Kit Middle Door 109.....Left.....	\$ 137.49

10. Middle Door Assembly Complete 109

PLB713	Middle Door Assembly Complete ..Right.....	\$ 249.95
PLB947	Middle Door Assembly Complete ..Left.....	\$ 199.95

11. Door Frame Assembly

RNC831	109, 110 Station Wagon.....Right.....	\$ 239.95
RNC832	109, 110 Station Wagon.....Left.....	\$ 253.49
RNH457	Defender 110 NAS.....Right.....	\$ 525.00
RNH458	Defender 110 NAS.....Left.....	\$ 525.00

12. Long Sill Panel (Rocker Panel)

PLB870	88 & 109 Ser II A, III 1969 on.....Right Genuine	\$ 33.95
PLB870	88 & 109 Ser II A, III 1969 on.....Right ProLine	\$ 33.95
PLB871	88 & 109 Ser II A, III 1969 on.....Left.....	\$ 33.95
RNC823	90, 110 USA.....Right.....	\$ 82.95
RNC824	90, 110 USA.....Left.....	\$ 82.95

13. Front Door Assembly Complete

RNH459	110 w/roll down window (1 piece) RH.....	\$ 549.95
RNH460	110 w/roll down window (1 piece) LH.....	\$ 539.95
RNH459	90 Station Wagon.....RH.....	\$ 549.95
RNH460	90 Station Wagon.....LH.....	\$ 539.95

14. Front Door Seal for Defender 110 and 90 Station Wagon

RNH461	Front door seal.....90 SW/ 110...Right.....	\$ 97.95	
RNH462	Front door seal.....90 SW/ 110...Left.....	\$ 95.00	
15.	RNH452	Sill seal.....110.....	\$ 23.84
	RNH453	Sill seal.....90 SW.....	\$ 8.19
16.	RNC690	Rivet.....110.....	\$ 0.50
	RNH456	Rivet.....90 SW.....	\$ 0.53
	RNH463	Foam Block.....(Not Shown-90 SW only).....	\$ 0.44

17. Middle Door Assembly

RNH464	110 middle.....RH.....	\$ 659.95
RNH465	110 middle.....LH.....	\$ 659.95

18. Middle Door Seals

RNH466	110 Middle.....RH.....	\$ 73.95
RNH467	110 Middle.....LH.....	\$ 96.45

19. RNB827 Sill Piece Defender 110

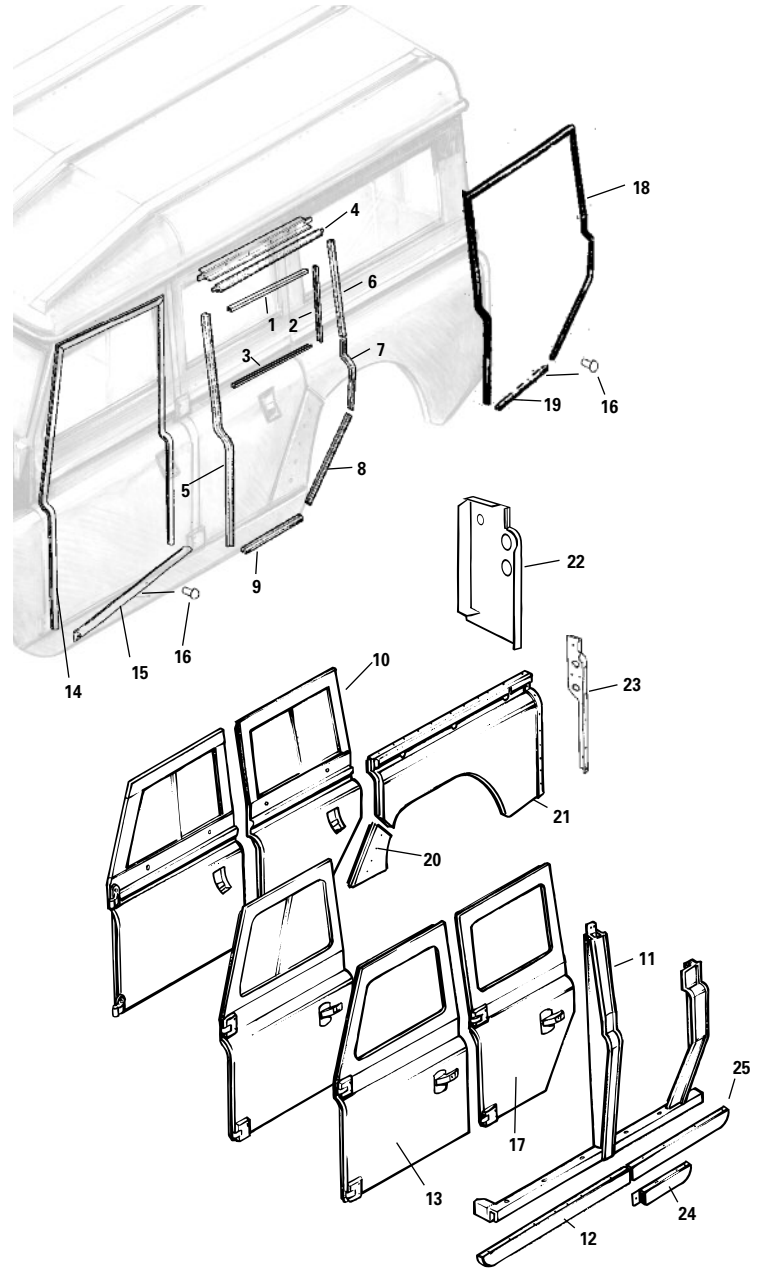
RNB827	Sill Piece Defender 110.....	\$ 12.49
--------	------------------------------	----------

20. Trim Panel 109 Station Wagon

RNE320	Behind Middle Door.....Right.....	\$ 65.95
RNE321	Behind Middle Door.....Left.....	\$ 65.95

21. Rear Quarter Panel

PLF222	88.....Right.....	\$ 179.95
PLF221	88.....Left.....	\$ 179.95
RNB941	109 Regular (2 Door).....Right.....	\$ 376.05
RNF223	109 Regular (2 Door).....Left.....	\$ 427.95
RNF521	109 Station Wagon.....Right.....	\$ POA
RNE363	109 Station Wagon.....Left.....	\$ 299.95



22. Rear Panel

RNE310	88 & 109.....Right.....	\$ 52.95
RNE311	88 & 109.....Left.....	\$ 49.95

23. Rear Corner Trim

RNB829	88 & 109 Galvanized.....Right.....	\$ 62.87
RNB830	88 & 109 Galvanized.....Left.....	\$ 62.87
RNC821	90, 110 thru 1994 USA.....Right.....	\$ 12.22
RNC820	90, 110 thru 1994 USA.....Left.....	\$ 12.22
RNC883	90 USA 1995 -1997.....Right.....	\$ 69.95
RNC884	90 USA 1995 -1997.....Left.....	\$ 67.95

24. Short Sill Panel

PLF520	88 Series IIA, III 1969 on.....Right.....	\$ 8.49
RNB869	88 Series IIA, III 1969 on.....Left..Genuine	\$ 12.59
PLB869	88 Series IIA, III 1969 on.....Left..ProLine	\$ 8.49
RNE349	Defender 90 1990 all models.....Right.....	\$ 13.25
RNE350	Defender 90 1990 all models.....Left.....	\$ 13.25

25. Short Sill Panel

RNB938	109 Reg Series III.....Right.....	\$ 40.59
RNB940	109 Reg Series III.....Left.....	\$ 32.50



3. Rectangular mirror heads feature rugged black plastic bodies with rubber edge. Mirror clamp is lined with a rubber strip to ensure a secure fit to the mirror arm.

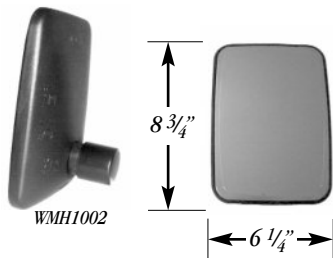
Mirrors

- 1. ARM2 Mirror Arm Fixed Type – Fits front wing tops on all models or Series IIA top door hinges with mounting hole8 1/2"\$ 17.49
- ARM3 Mirror Arm Fixed Type5 1/2"\$ 19.50
- 2. RNC633 Round Mirror Head\$ 21.95
- 3. RNF259 Rectangular 5"x7" Mirror Head.....\$ 10.14
- RNF260 6"x10" Mirror Head.....\$ 12.95
- 4. RNE314 Mirror assembly Defender 90, 110.....\$ 51.49
- 5. RNC825 Mirror Head 90, 110 with Flat Glass.....\$ 47.95
- RNE315 Mirror Head 90, 110 with Convex Glass.....\$ 46.95
- RNF400 NAS style Glass for Mirror Flat\$ 27.95
- 6. RNE313 Mirror Arm\$ 42.95
- 7. RNE391 Top Hinge Left (Driver's)\$ 22.95
- RNE390 Top Hinge LeftRight.....\$ 22.50
- 8. RNF265 Fixing Bolt\$ 0.95
- 9. RNE254 Nylon Locker\$ 0.95
- 10. PLB905 Interior Mirror Series II, IIA, III, with hardware.....\$ 15.95

11. Defender Mirror Kits for Series II, IIA, or III

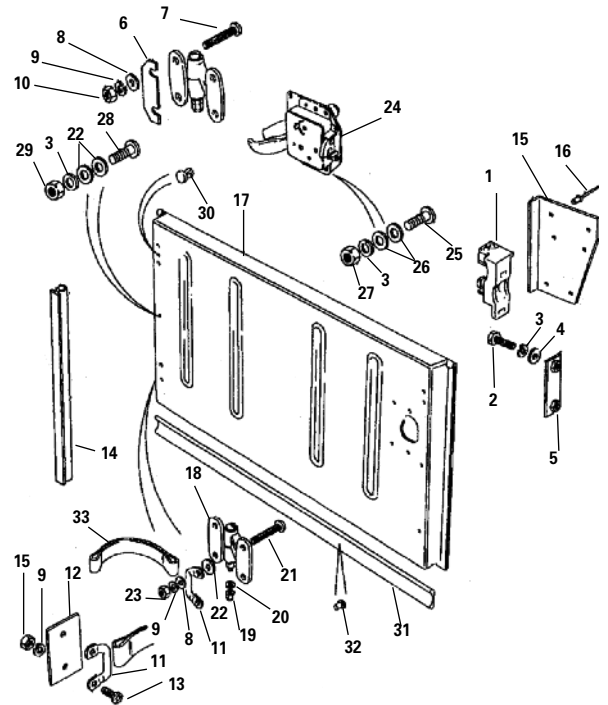
Includes mirror and arm, top door hinge, sealing washer, and all hinge bolts.

- RNK841L Mirror Kit, convex.....LH.....\$ 82.00
- RNK841R Mirror Kit, convex.....RH.....\$ 82.00
- 102.95
- RNK850R Mirror Kit, Wolf Head.....RH.....\$102.95



Defender XD (Wolf) Mirror Head

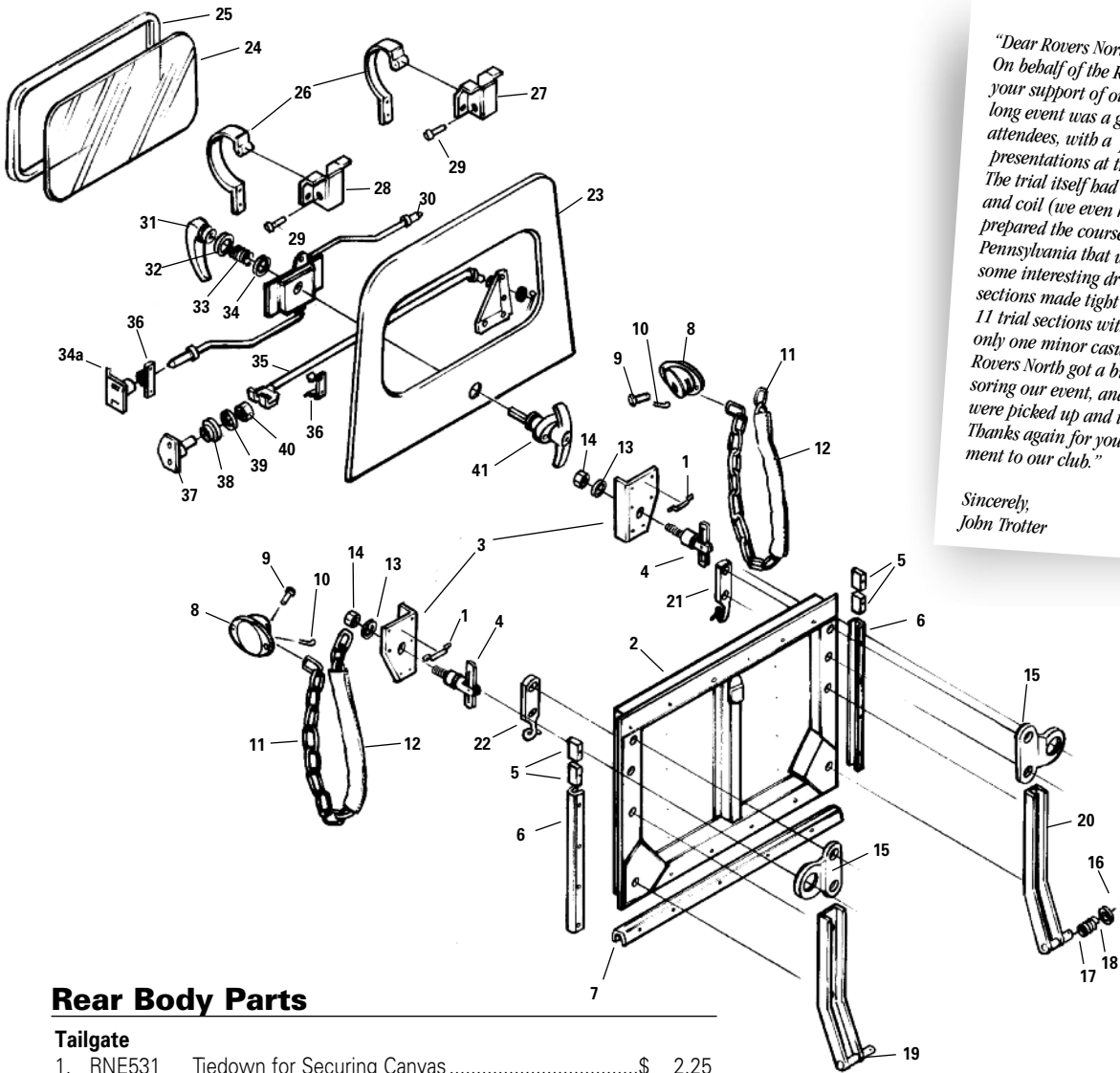
- WMH1002 Shatter Proof Convex Mirror Head as used by the English Army.....\$ 34.95



Defender 90 Soft Top Body Parts for Tailboard

- 1. RNE159 Striker\$ 28.95
- 2. RND909 Flange Screw\$ 0.60
- 3. RNF428 Spring washer.....\$ 0.99
- 4. RNH468 Plain washer.....\$ 0.99
- 5. RNH469 Nut plate.....\$ 9.25
- 6. RNH470 Plate cover Upper Hinge\$ 20.71
- 7. RNH471 Screw\$ 0.99
- 8. RND456 Plain washer.....\$ 0.59
- 9. RNF429 Spring washer.....\$ 0.30
- 10. RNE157 Nut- Flanged M8.....\$ 1.09
- 11. RNH472 Cleat\$ 25.95
- 12. RNH473 Plate spreader\$ 16.19
- 13. RNH474 Screw\$ 1.29
- 14. RNH475 Seal- TailgateRH.....\$ 29.19
- RNH476 Seal- TailgateLH.....\$ 29.19
- 15. RNH477 Corner bracketRH.....\$ 3.29
- RNH478 Corner bracketLH.....\$ 6.49
- 16. RNC690 Rivet\$ 0.50
- 17. RNB070 Tailboard\$ 969.00
- 18. RNC916 Hinge\$ 49.95
- 19. RNH479 Nut capped.....\$ 1.62
- 20. RNX034 Plain washer.....\$ 0.73
- 21. RNH480 Screw\$ 1.56
- 22. RNF548 Plain washer.....\$ 0.99
- 23. RNE469 Nut.....\$ 1.14
- 24. RNH481 Lock\$ 71.79
- RNH482 1 Barrel lock & 2 keys.....\$ 15.95
- RNE337 2 Barrel locks and 2 keys\$ 25.48
- 25. RNH483 Screw\$ 0.66
- 26. RNX034 Plain washer.....\$ 0.73
- 27. RNF731 Nut.....\$ 1.74
- 28. RNH484 Screw\$ 1.05
- 29. RND114 Nut.....\$ 0.29
- 30. RNF755 Rivet\$ 0.79
- 31. RNB691 Seal.....\$ 23.79
- 32. RNH485 Rivet\$ 0.42
- 33. RNH486 Check Strap.....\$ 14.95

BODY



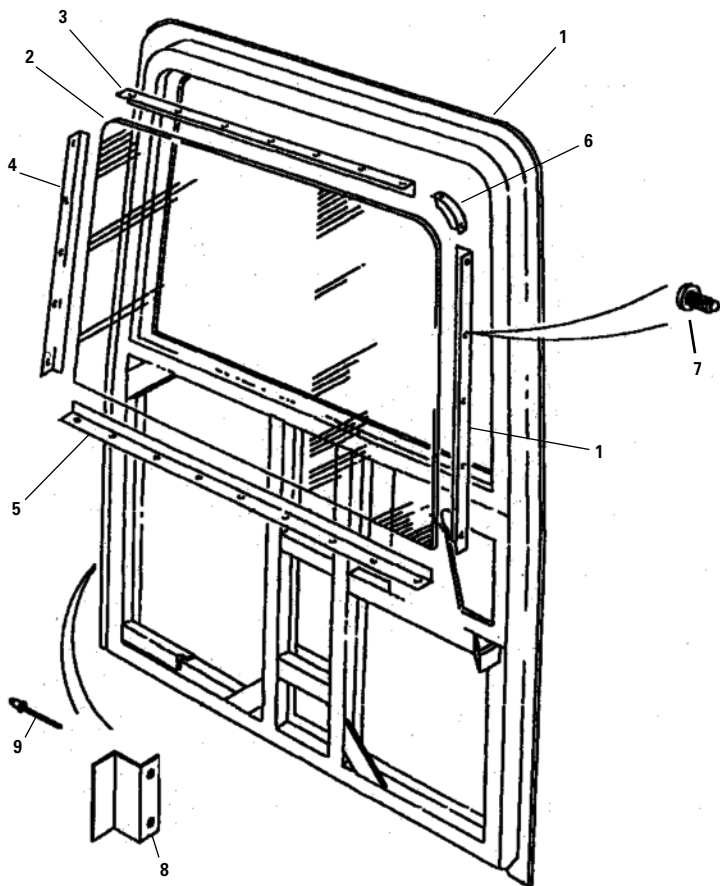
*"Dear Rovers North
On behalf of the R.O.V.E.R.S. Club, I'd like to thank you for your support of our recent trials event on April 13. The day-long event was a great success - we had a total of 54 attendees, with a pizza-break for lunch and the awards presentations at the end of the day.
The trial itself had 16 vehicles competing in two classes - leaf and coil (we even had a 101FC in the leaf class!). We had prepared the course on some private property in Pennsylvania that was formerly a quarry which made for some interesting driving with lots of loose rocks and many sections made tight by immovable gates - i.e. trees! We had 11 trial sections with 10 gates and all drivers did well, with only one minor casualty - a slightly dented rear quarter panel Rovers North got a big round of cheers and applause for sponsoring our event, and all but 2 of the catalogs you provided were picked up and taken home by attendees.
Thanks again for your support, we appreciate your commitment to our club."*

*Sincerely,
John Trotter*

Rear Body Parts

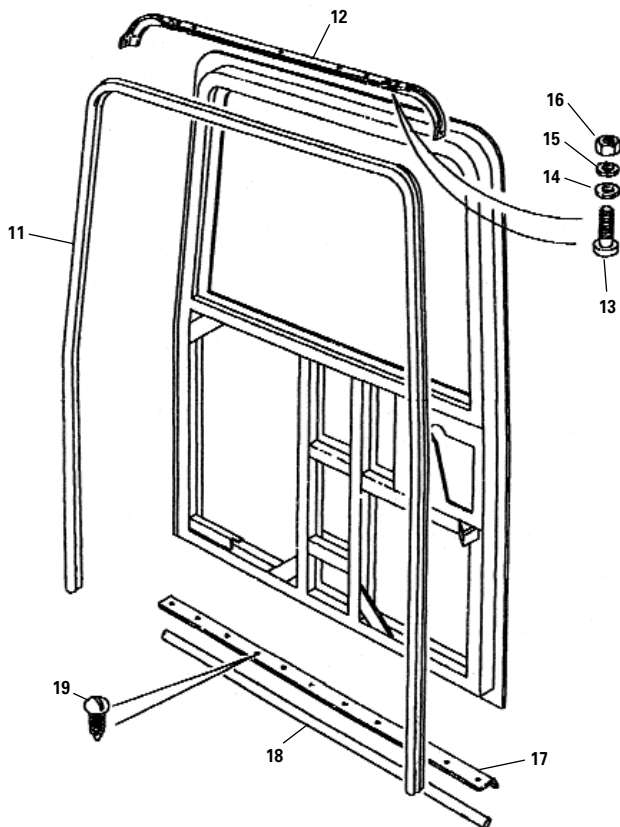
Tailgate

1. RNE531	Tiedown for Securing Canvas.....	\$ 2.25			
	All lid hardware and catches in stock - please inquire				
2. PLB705	Tailgate Assembly (used also available) includes latches, pigtails and hinges.....	\$329.00			
3. RNC894	Corner Plate for Antiluce Catch.....Right.....	\$ 3.06			
RNC893	Corner Plate for Antiluce Catch.....Left.....	\$ 3.49			
4. RNE374	Antiluce Catch for securing tailgate.....	\$ 17.95			
5. RNB804	Rubber Block for tailgate (Requires two each side).....	\$ 6.95			
6. RNB866	Seal for Tailgate side.....	\$ 23.49			
7. RNB691	Seal for Bottom of tailgate.....	\$ 23.79			
8. RNB684	Securing Bracket for tailgate chain.....	\$ 25.64			
9. RNB685	Fixing Pin attaches chain to bracket.....	\$ 0.54			
10. RNC122	Cotter Pin for Fixing Pin.....	\$ 0.59			
11. PLE295	Limit Chain for tailgate, ProLine.....	\$ 9.95			
12. RNB727	Chain Covers Prevents chains from tangling (4 required).....	\$ 5.79			
13. RNF417	Flat Washer.....	\$ 0.79			
14. RNE471	Lock Nut.....	\$ 1.74			
15. RNE373	Eye for Tailgate Latch.....	\$ 7.65			
16. RNE524	Pin for Tailgate.....	\$ 0.69			
17. RNF435	Spring.....	\$ 1.79			
18. RNB995	Washer.....	\$ 0.95			
19. RNE372	Hinge for Tailgate.....LH.....	\$ 13.95			
20. RNE371	Hinge for Tailgate.....RH.....	\$ 13.28			
RNA8232	Tailgate Mounting and Seal Kit.....	\$229.95			
RNA2550	Spare Tire Carrier (not shown).....	\$499.95			
21. RNB816	Pigtail.....RH.....	\$ 9.49			
22. RNB817	Pigtail.....LH.....	\$ 9.49			
23. RNF366	Liftgate (frame only).....	\$959.95			
24. RNE305	Glass for Liftgate.....	\$ 49.95			
25. RNC888	Seal Set for Glass (per foot).....	\$ 2.60			
26. RNB836	Hinge for Lift Gate.....	\$ 54.29			
27. RNB843	Mount for Hinge.....RH.....	\$ 12.95			
28. RNB844	Mount for Hinge.....LH.....	\$ 12.95			
29. RNB675	Securing Pin.....	\$ 2.09			
30. RNB674	Lock Arm Set.....	\$ 21.95			
31. RNB677	Inside Handle.....	\$ 13.00			
32. RNB703	Finishing Cap for Handle.....	\$ 4.12			
33. RNB700	Spring.....	\$ POA			
34. RNB702	Inside Escutcheon.....	\$ 15.44			
34a. RNB802	Receiver Socket.....RH.....	\$ 7.95			
RNB803	Receiver Socket.....LH.....	\$ POA			
35. RNB810	Prop Rod.....RH.....	\$ 9.89			
RNB811	Prop Rod.....LH.....	\$ POA			
36. RNB845	Stow Clip for Prop Rod.....	\$ 1.37			
37. RNB812	Securing Post for Prop Rod.....	\$ POA			
38. RNB813	Knob for securing Post.....	\$ 19.95			
39. RNF218	Washer.....	\$ 0.79			
40. RNH487	Screw.....	\$ 0.36			
41. RNB694	Exterior Handle Assembly.....	\$ 31.95			
RNB887	Gasket for Exterior Handle.....	\$ 1.79			



Rear End Door Parts for Defender 90 Station Wagon, Defender 110

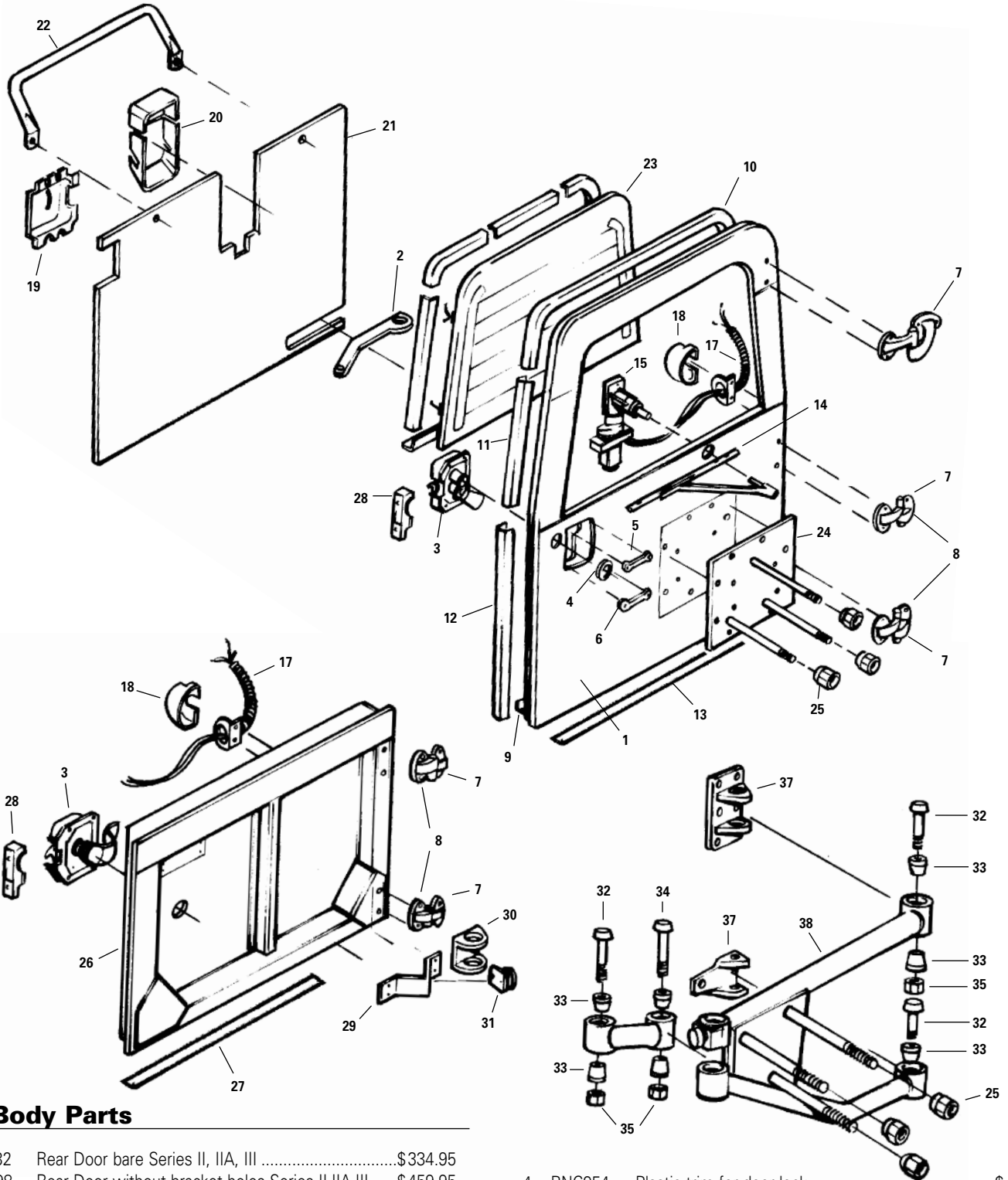
1.	RNB038	Rear end door seal.....D90 Station Wagon.....	\$ 0.99
	RNB038	Rear end door seal.....D110	\$ 0.99
2.	RNB049	Glass- clear.....D90 Station Wagon.....	\$ 78.00
	RNB054	Glass- sundym, heated..D90 Station Wagon.....	\$228.95
	RNB054	Glass- tinted, heatedD110	\$228.95
	RNC687	Glazing strip.....D110, D90 Station Wagon..	\$ 2.09
3.	RNH492	Retainer top.....D110, D90 Station Wagon..	\$ 8.79
4.	RNH493	Retainer side	\$ 11.50
5.	RNH494	Retainer bottom	\$ 9.95
6.	RNH495	Retainer corner.....D110, D90 Station Wagon..	\$ 5.24
7.	RNC790	Screw	\$ 0.47
8.	RNH496	Striker courtesy lightD90 Station Wagon.....	\$ 3.10
9.	RNH497	Rivet.....D90 Station Wagon.....	\$ 0.43



Rear End Door Seals for Defender 90, 110, Defender 90 Station Wagon

11.	RNC830	Seal, rear end door.....D90 & D90 SW	\$ 33.50
	RNC830	Seal, rear end door.....D110	\$ 33.50
12.	RNH488	Retainer seal.....D90 & D90 SW	\$ 9.95
	RND154	Pop rivet	\$ 0.92
	RNH488	Retainer seal.....D110	\$ 9.95
13.	RNE033	Screw	\$ 0.80
14.	RNH489	Plain washer	\$ 0.75
15.	RND115	Spring washer	\$ 0.57
	RND115	Spring washer	\$ 0.57
16.	RND112	Nut.....D90 & D90 SW	\$ 1.29
	RND112	Nut.....D110	\$ 1.29
	RND154	Rivet	\$ 0.92
	RNH489	Plain washer	\$ 0.75
17.	RNC828	Protector.....D90 & D90 SW, & D110 ..	\$ 22.75
18.	RNC829	Seal.....D90 & D90 SW	\$ 13.95
	RNC829	Seal.....D110	\$ 13.95
19.	RNH490	Screw	\$ 0.40
	RNH491	Screw	\$ 0.96

BODY

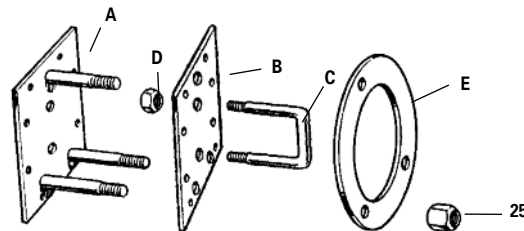


Rear Body Parts

1. RNB032	Rear Door bare Series II, IIA, III	\$334.95		
RNH498	Rear Door without bracket holes Series II, IIA, III	\$459.95		
RNB037	90, 110 Station Wagon	\$399.95		
RNH499	Complete assembly new take off, includes all hardware tire mount latch wiper and interior	\$499.95		
2. RNB825	Limit Arm for Rear Door, Series II, IIA, III	\$ 19.99		
RNB044	90, 110	\$ 34.95		
3. RNE161	Rear Latch, Locking Anti-Burst Type Series III, 90, 110	\$ 67.50		
RNB867	Latch assembly for early door with no key hole in door skin	\$123.95		
RNE308	Early striker	\$ 19.95		
	For key and tumbler information see page 57			
4. RNC954	Plastic trim for door lock	\$ 3.49		
5. RNC896	Nut plate top	\$ 3.65		
RNB038	Screw for nut plate	\$ 0.99		
6. RNC895	Stud plate bottom	\$ 4.15		
RNB039	Nut for stud plate	\$ 0.74		
7. RNC914	Hinge All Models Top	\$ 41.55		
RNC916	Middle & Bottom	\$ 49.95		
8. DHK111	Door Hinge Kit, Series IIA, III, 90, 110 Contains pin, spring, brass bushing, lock washer & nut	\$ 5.95		
9. RNC830	Door Seal 1 piece 90, 110	\$ 33.50		

Door Seals Series II, IIA, III

10. RNC123	Roof Piece.....	\$ 25.95
11. RNC121	Roof Side.....	\$ 14.25
12. RNC121	Lower Side.....Right.....	\$ 14.25
RNB820	Lower Side.....Left.....	\$ 9.95
13. RNC828	Sill Piece Series II, IIA, III, 90, 110.....	\$ 22.75
13. RNC829	Seal for rear sill.....	\$ 13.95
RNK834	Rear Door Seal Kit.....	\$114.95
14. RNE520	Rear Wiper Arm.....	\$ 17.95
RNC948	Wiper Blade.....	\$ 11.09
15. RNE625	Wiper Motor.....110.....1993.....	\$237.95
RNE621	Wiper Motor.....90.....1995 SW.....	\$199.95
RNE681	Wiper Motor.....90.....1997 SW.....	\$177.53
16. RNE620	Wiring Harness Rear Door.....110.....	\$ 62.39
RNE628	Wiring Harness Rear Door.....90.....	\$ 26.95
17. RNE622	Rubber Harness Cover.....	\$ 12.49
18. RNB052	Cover 1993 & 1995 SW and all soft tops.....	\$ 9.77
RNB052	Cover.....SW 1997 only.....	\$ 9.77
19. RNC105	Cover for Latch.....110.....	\$ 27.95
RNB043	Cover for Latch.....90 up to 1997.....	\$ 11.95
RNB042	Cover for Latch.....90 1997.....	\$ 10.08
20. RNH500	Cover for Wiper Motor.....D90.....	\$ 7.48
RNH501	Cover for Wiper Motor.....D110 NAS.....	\$ 46.95
21. RNB047	Rear Door Interior.....110 SW.....	\$144.95
RNB045	Rear Door Interior.....90 SW 1995.....	\$ 99.84
RNC127	Rear Door Interior.....Ser IIA & III.....	\$124.95
22. RNB056	Handle for Rear Door.....	\$ 15.49
23. RNB049	Glass Rear Door.....Clear.....	\$ 78.00
RNB054	Glass Rear Door.....Heated.....	\$228.95



24. Spare Wheel Carrier for Rear Door

A. RNB058	A Stud Plate.....Series II, IIA, III.....	\$ 69.95
RNB060	A Stud Plate.....90, 110.....	\$ 79.95

Exterior Cover Plates

B. RNB834	Series II, IIA, III.....	\$ 19.39
RNB050	Defender 90, 110.....	\$ 20.75
C. RNE253	C U Bolt Support.....Series II, IIA, III.....	\$ 4.95
D. RNE395	D Nut for U Bolt (4 required).....	\$ 1.14
E. RNB833	E Retaining Ring.....Series II, IIA, III.....	\$ 60.95

25. Complete Wheel nut selection page 40

26. RNB070	Tailgate Side Hinged.....	\$969.00
27. RNB691	Seal Tailgate Bottom.....	\$ 23.79
28. RNE159	Striker.....Series III, 90, 110.....	\$ 28.95
29. RNB026	Bracket for Catch.....	\$ 63.95
30. RNB033	Pivot Bracket.....	\$182.95
31. RNB028	Rubber Bumper.....	\$ 2.29
32. RNB036	Bolt.....	\$ 52.95
33. RNB029	Bushing.....	\$ 29.95
34. RNB035	Bolt.....	\$ 52.95
35. RNB027	Nut.....	\$ 0.97
36. RNB030	Top Bracket.....	\$149.00
37. RNB034	Bottom Bracket.....	\$ 29.95
38. RNB046	Carrier Frame.....	\$608.40



Swingaway Spare Wheel Carrier

Save your rear door by taking the weight off with Mantech's heavy duty spare wheel carrier. Designed for extra large tires, any size spare wheel will easily fit. Constructed to work smoothly with your door, so no extra effort is needed to access the rear of your Land Rover.

Zinc phosphate treated and black polyester resin coated for a durable, corrosion resistant finish. Kit includes instructions and all necessary hardware for installation. Fits Series II, IIA, III and Defender 90 and 110.



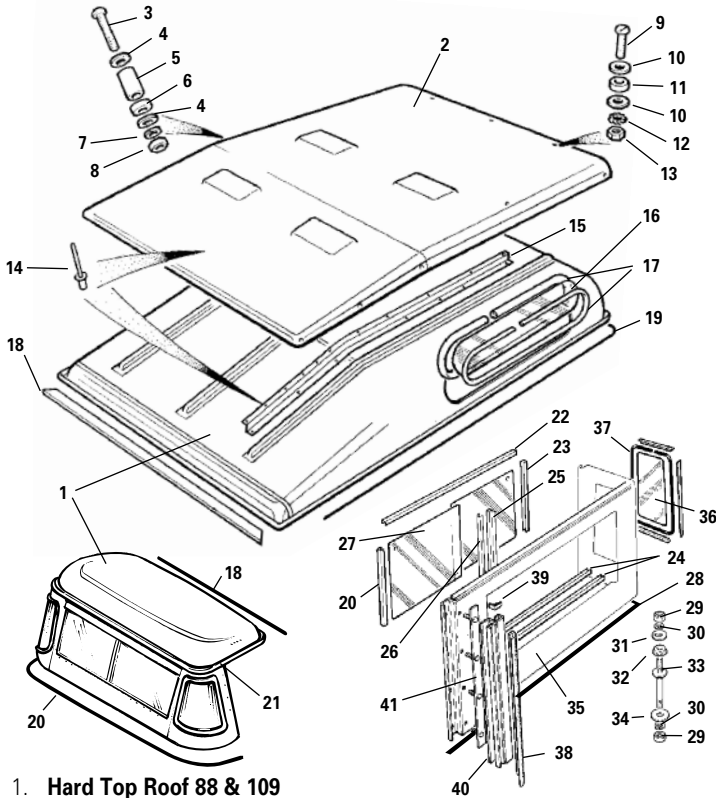
RNA2550	MANTEC Swingaway Tire Carrier.....	\$ 499.95
---------	------------------------------------	-----------



Rear Tire Jack Mount

This handy jack mount provides the perfect solution to finding a safe and stable mounting point for your Jackall or Highlift Jack. A securing pin connects the jack mounting plate to the base, allowing you to easily remove the jack when it isn't needed.

RNA1121	Safari Gard Mount.....	\$ 104.95
---------	------------------------	-----------



1. Hard Top Roof 88 & 109

Rovers North maintains a large selection of new and used hard tops including truck cabs for Land Rovers and Defenders. Please inquire.

2. Sun sheet for Tropical Roof

- RNF522 Sun sheet for Tropical Roof.....88.....\$ POA
 - RNB828 Sun sheet for Tropical Roof.....109.....\$ 2624.00
 - RNF523 Sun sheet for Tropical Roof.....Truck Cab.....\$ POA
3. RNF524 Bolt for Securing Sun Sheet to Tropical Roof.....\$ 2.99
10 used on 88, 14 used on 109, 10 used on Truck Cab

- 4. RNB998 Washer.....\$ 0.49
- 5. RNB862 Spacer.....\$ 4.50
- 6. RNB680 Sealing Washer.....\$ 2.65
- 7. RNX015 Locker.....\$ 0.16
- 8. RNB039 Nut.....\$ 0.74
- 9. RNC685 Flat Head Screw, 8 used on 88 and 109.....\$ 0.47
- 10. RNB996 Washer.....\$ 0.79
- 11. RNB679 Sealing Washer.....\$ 2.89
- 12. RNF423 Locker.....\$ 0.55
- 13. RNF215 Nut.....\$ 0.33
- 14. RNC690 Pop Rivet, 43 used on 88, 97 used on 109.....\$ 0.50

15. Stiffener for Tropical Roof

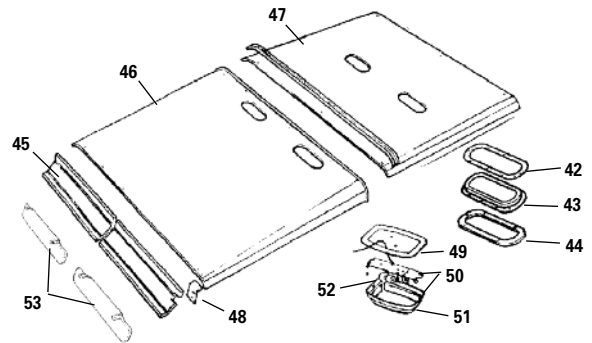
- RNB801 Stiffener for Tropical Roof88 & 109.....\$ 71.95
- RNF525 Stiffener for Tropical RoofRear 109.....\$ POA

- 16. RNE282 Glass for Alpine Window.....\$ 117.95
- 17. RNC888 Seal & Filler for Alpine Window sold per foot.....\$ 2.60
- 18. RNE342 Weather Seal between Windscreen and Hardtop/Truck Cap.....88 & 109.....\$ 13.49
- 19. RNB850 Weather Seal Roofside to Hardtop Right.....\$ 28.99
- RNB851 Weather Seal Roofside to Hardtop Left.....\$ 33.95
- RNF526 Exterior Sun Visor (not shown).....\$ POA
- 20. RNB837 Weather Seal between Lower Body and Cab Top..... 88 & 109.....\$ 16.49
- 21. RNB852 Weather Seal between Cab Top and Cab\$ 16.59

Window Tracks Roofside 88 & 109

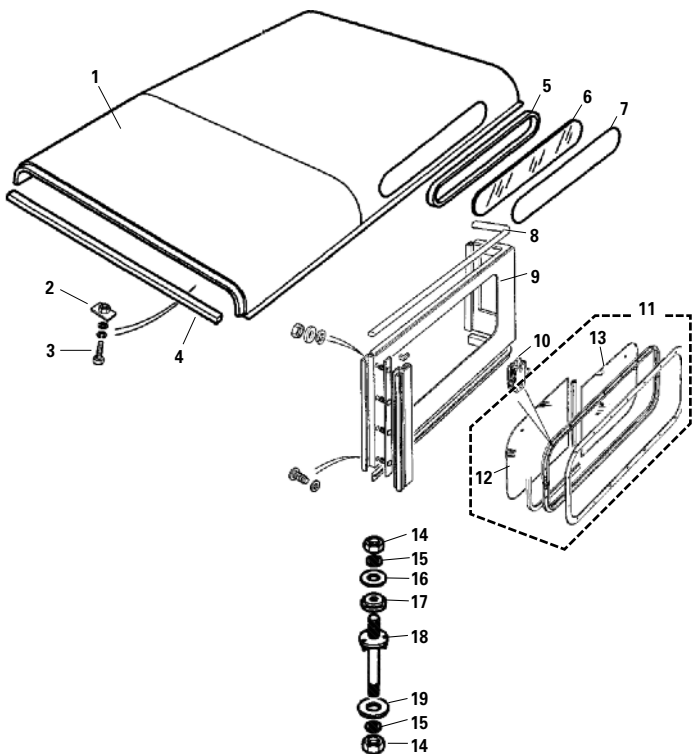
- 22. RNB961 Window Tracks RoofsideTop.....\$ 5.49
- 23. RNB861 Window Tracks Roofside.....Side.....\$ 3.69
- 24. RNB961 Window Tracks Roofside.....Bottom.....\$ 5.49

- RNK803 **Rear Window Track Kit**.....per side.....\$ 33.95
- 25. RNB805 Vertical Seal for Glass.....\$ 5.15
- WTSCREW Screw, stainless steel, for securing window track Supplied in bags of 20.....\$ 3.15
- 26. PLB743 Retainer for Seal.....\$ 3.99
- 27. RNE318 Sliding Glass for Roofside\$ 67.50
- 28. RNB838 Weather Seal Bodyside to Roofside88 & 109 SW.....\$ 12.19
- RNB839 Weather Seal Bodyside to Roofside 109 Regular.....\$ 24.95
- 29. RNS034 Nut.....\$ 0.75
- 30. RNS037 Locker.....\$ 0.42
- 31. RNB806 Special Washer.....\$ 0.62
- 32. RNB888 Rubber Buffer.....Front\$ 1.96
- RNB889 Rubber Buffer.....Rear\$ POA
- 33. RNB891 Stud for fixing Roofside to Body...88.....\$ 4.95
- RNF547 Stud for fixing Roofside to Body...109.....\$ 5.54
- 34. RNF433 Washer\$ 1.49
- 35. *Roofside Rovers North stocks a large selection of used Roofside with fixed or sliding windows. Please inquire.*
- 36. RNE281 Glass Rear Corner\$ 39.95
- 37. RNC687 Glazing Material sold by the meter\$ 2.09
- 38. RNC121 Seal Door Top\$ 14.25
- 39. RNF527 Corner.....Plug.....\$ 4.69
- 40. RNF528 Roof Side Channel.....RH.....\$ POA
- RNF529 Roof Side Channel.....LH.....\$ POA
- RNF583 Roof Side Channel (for one piece door seals) RH....\$ 41.95
- RNF584 Roof Side Channel (for one piece door seals) LH....\$ 41.95
- 41. RNF530 Roof Side Upright.....\$ 22.25



Roof Vents for Tropical Roof 88 & 109

- 42. RNB965 Gasket for Roof Vent.....\$ 3.79
- 43. RNB840 Roof Vent Front88.....\$ 172.99
- RNB841 Roof Vent Front109.....\$ 126.95
- RNB841 Roof Vent Rear88 & 109.....\$ 126.95
- 44. RNC130 Trim Ring\$ 37.95
- 45. RNE306 Canopy Trim Panel. Fits between windscreen and front headliner. Available in oatmeal colour only.88 & 109\$ 222.95
- 46.& 47. RNC779 Head Liner Material Oatmeal colour, sold in two meter lengths for the Front, Middle or Rear88 & 109.....\$ 11.69
- 48. RNF531 Bracket for Front Head Liner.....\$ 3.02
- 49. RNE307 Trim Pad for Interior Dome Light.....\$ 13.00
- 50. RNF319 Interior Dome Light Assembly\$ 68.95
- 51. RNB706 Glass Lens Only\$ 16.25
- 52. RNE627 Bulb for Dome Light.....\$ 1.16
- 53. **Interior Sun Visor Kit**
- RNB714 Supplied with all fitting hardware.....\$ POA



NEW! Superior Quality Defender 90 Fabric Soft Top

Everything you wanted in a custom soft top for your Defender 90 is here. Constructed with superior quality black fabric it will not fade, shrink or crack like the original. This top will look as good as the day you first put it on, year after year. Superior features include; weather secure door seals, heavy duty zippers, improved visibility, and HD Permaclear windows. An awesome fit on your existing belt rail system virtually ends the headaches of all the stretching and prying and keeps you happy and dry when the weather is foul. Includes three zip out windows, carrying pack and instructions.

RNA90ST	1994-97 Defender 90 Soft Top.....	\$ 1859.00
RNE245	1994 D90 Belt Rail Kit*.....	\$ 44.95
RNE246	1994 D90 Tailgate Bar Kit*.....	\$ 71.50

**The 1994 Defender 90 soft top is equipped from the factory with snaps and requires a belt rail and tailgate bar kit to be installed to use this top. 1995 and 1997 Defender 90 soft top models do not require this kit.*

Defender 90 Tops

1. Roof Assembly, Aluminum. We have a large selection of new take-off and used 90 roofs with and without sunroof, ribbed top or smooth top. Please inquire.

2.	RNF532	Nutplate (6 req).....	\$ 4.99
3.	RNF533	Bolt for Nut Plate.....	\$ 0.79
4.	RNF534	Seal Roof to Windscreen	\$ 8.19
5.	RNF535	Weather Strip including insert.....	\$ 32.95
6.	RNF536	Alpine Glass.....	\$ 228.95
7.	RNF537	Exterior Seal	\$ 0.35
	RNF538	Filler Strip for Seal	\$ 11.97
8.	RNF539	Seal Roof to Side Panel.....RH.....	\$ 39.25
	RNF540	Seal Roof to Side Panel.....LH.....	\$ 41.44
9.	RNF541	Roof Side 90.....RH.....	\$ 696.59
	RNF542	Roof Side 90.....LH.....	\$ 696.59

Complete Kits

RNK8081	Defender 90 Soft Top.....	\$ 309.95
RNK8082	Defender 90 Station Wagon.....	\$ 299.95
RNK8083	Defender 110 Station Wagon.....	\$ 499.95

We have a large selection of new take off and used 90 roof sides with side windows and solid sides without windows.

10. Lock Assembly for Sliding Window 90, 110

RNE347	Lock Assembly.....RH.....	\$ 24.59
RNE348	Lock Assembly.....LH.....	\$ 23.99

11. Window Assembly with Lock, 90 Station Wagon

12.	RNF543	Window Assembly.....RH.....	\$ 449.00
	RNF544	Window Assembly.....LH.....	\$ 449.00
13.	RNF545	Forward Sliding Glass.....	\$ 86.84
14.	RNF546	Rearward Fixed Glass.....	\$ 60.41
15.	RNE157	Nut.....	\$ 1.09
16.	RNF429	Locker.....	\$ 0.30
17.	RNB806	Top Flap Washer.....	\$ 0.62
18.	RNB889	Rubber Buffer.....	\$ POA
19.	RNF547	Mounting Stud for Hard Top.....	\$ 5.54
	RNF548	Bottom Flap Washer	\$ 0.99



PLD279 Surrey top on 1997 Defender 90.

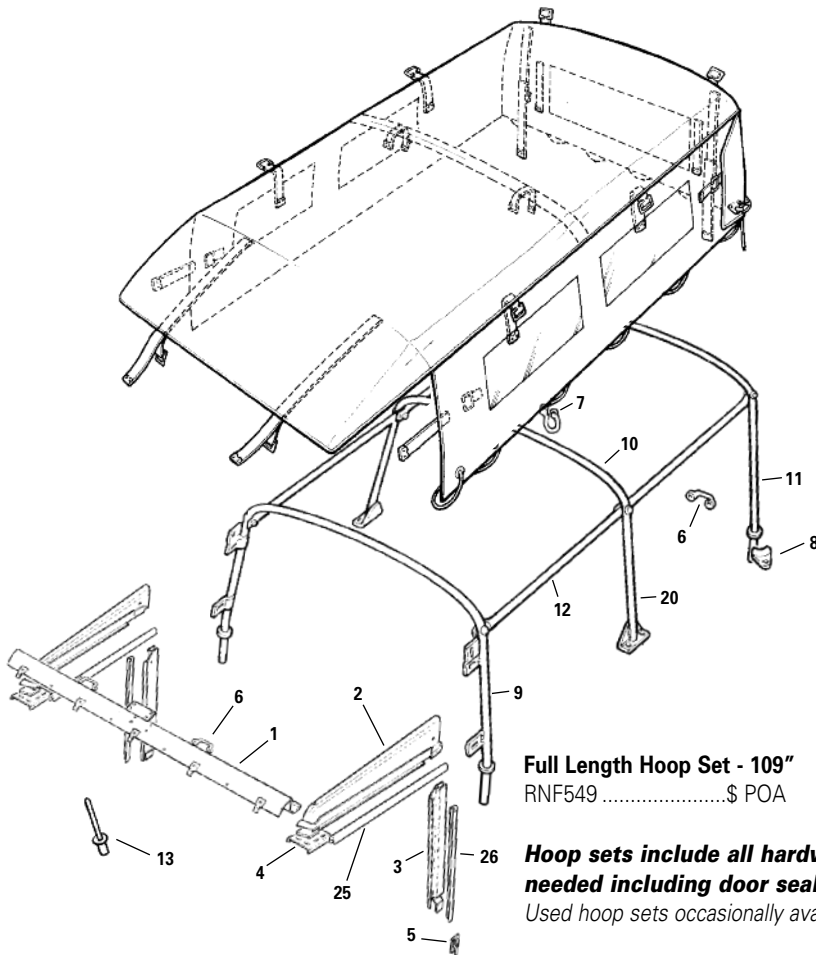


RNA90BT2 Bimini top.

Get ready for summer with these great open air soft tops!

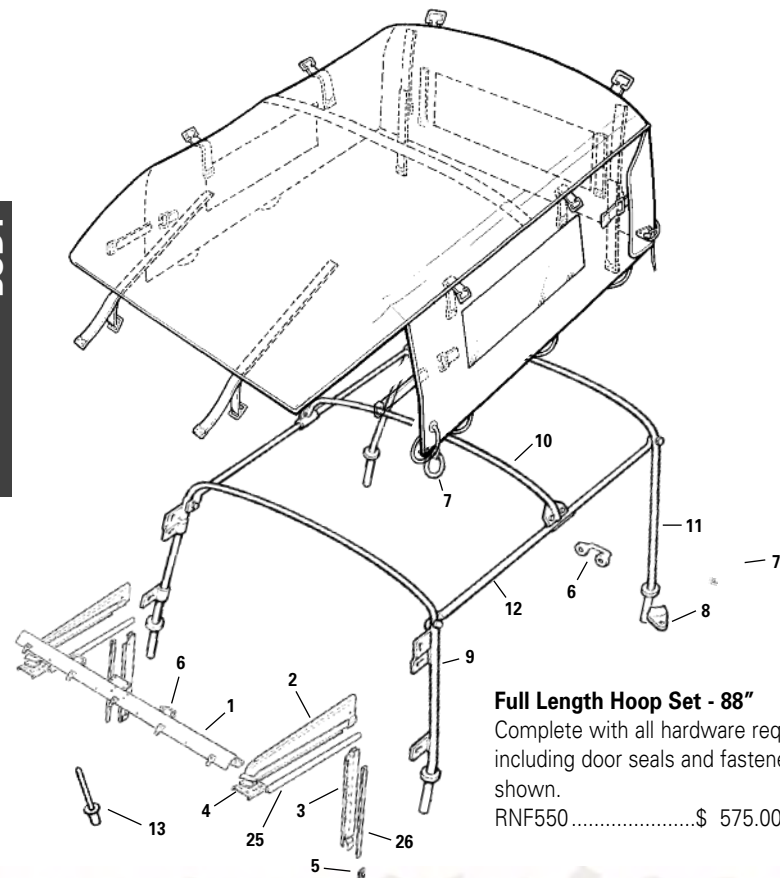
Made with the same exacting standards as our full soft top, with or without straps. Constructed with black fabric.

RNA90BT2	1994-97 D90 w/Straps Bimini Top	\$ 369.20
PLD279	1994-97 D90 Full length Surrey Top	\$ 399.00



Full Length Hoop Set - 109"
RNF549\$ POA

Hoop sets include all hardware needed including door seals.
Used hoop sets occasionally available.



Full Length Hoop Set - 88"
Complete with all hardware required, including door seals and fasteners as shown.
RNF550\$ 575.00



88" Full Length Canvas Top with side window.



109" Regular with Full Length Canvas Top with no side windows.

Hoop Set Components 88" & 109"

1.	PLB736	Windscreen Bracket.....ProLine.....	\$ 119.95
2.	RNE329	Drain Channel Door Top ..RH.....	\$ 147.95
	RNE330	Drain Channel Door Top ..LH.....	\$ 147.81
3.	RNE327	Drain Channel Door Post..RH.....	\$ 30.57
	RNE328	Drain Channel Door Post..LH.....	\$ 29.95
4.	RNB740	Corner BracketRH.....	\$ 4.15
	RNB741	Corner BracketLH.....	\$ 3.64
5.	RNB737	Front Tie Down.....RH.....	\$ 15.99
	RNB738	Front Tie Down.....LH.....	\$ 15.99
6.	RNE531	Tie Down Staple	\$ 2.25
7.	RNB912	Tie Down Rear	\$ 4.79
8.	RNB692	Hoop Bracket.....	\$ 5.79
9.	RNB732	Front Hoop88" & 109"	\$ 72.95
10.	RNB734	Middle Hoop.....88"	\$ 52.95
	RNB744	Middle Hoop.....109"	\$ 82.95
11.	RNB733	Rear Hoop88" & 109"	\$ 86.95
12.	RNB735	Tie Tube88"	\$ 40.95
	RNB745	Tie Tube109"	\$ 35.49
13.	RNC690	Pop Rivet for Hoop Set	\$ 0.50
14.	RNB766	Cab Surround for securing 3/4 truck canvas to truck cab.....	\$ 40.89
15.	RNB793	Bottom drain channel.....RH.....	\$ 65.95
16.	RNB794	Bottom drain channel.....LH.....	\$ POA
17.	RNB848	Canvas clampRH.....	\$ 2.39
	RNB849	Canvas clampLH.....	\$ 3.79
18.	RNF551	Three piece batten for securing kit canvas to cab surround	\$ 41.95
19.	RNB795	Horizontal batten	\$ 9.88
20.	RNB744	Middle hoop109"	\$ 82.95
21.	RNB745	Tie tube rear109"	\$ 35.49
22.	RNB746	Tie tube front.....109"	\$ 29.95
23.	RNB818	Tie tube.....88" 3/4.....	\$ POA
24.	RNB819	Front hoop.....88" 3/4.....	\$ POA
25.	RNC120	Door seal top.....	\$ 14.79
26.	RNC121	Door seal top back.....	\$ 14.25

Canvas Tops - 88" & 109"

88" Full Length

RNB750	Plain.....Genuine	Green.....	\$ 659.95
RNB748	Plain.....Genuine	Sand.....	\$ 1019.00
RNB751	Plain.....ProLine	Green.....	\$ 414.96
PLB748	Plain.....ProLine	Sand.....	\$ 439.00

RNB754	With WindowGenuine	Green.....	\$ 729.00
RNB752	With WindowGenuine	Sand.....	\$ 879.00
PLB754	With WindowProLine	Green.....	\$ 424.95
PLB752	With WindowProLine	Sand.....	\$ 469.95
PLB753	With WindowProLine	Black.....	\$ 529.95

109" Full Length

RNB758	Plain.....Genuine	Green.....	\$ 819.95
RNB756	Plain.....Genuine	Sand.....	\$ 769.00
RNB759	Plain.....ProLine	Green.....	\$ 449.00
RNB757	Plain.....ProLine	Sand.....	\$ 479.95

RNB763	With WindowGenuine	Green.....	\$ 969.95
RNB761	With WindowGenuine	Sand.....	\$ 1049.95
PLB763	With WindowProLine	Green.....	\$ 499.95
PLB761	With WindowProLine	Sand.....	\$ 539.95

88" 3/4 Length

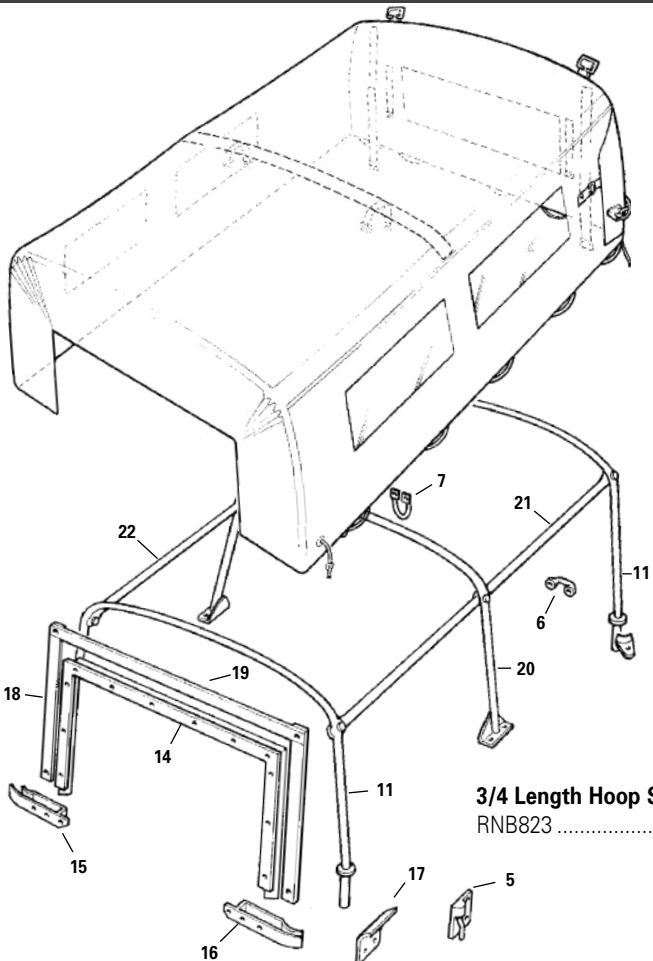
RNB778	Plain.....Genuine	Green.....	\$ 795.00
PLB778	Plain.....ProLine	Sand.....	\$ 369.95
RNB779	Plain.....ProLine	Green.....	\$ 414.95
PLB775	Plain.....ProLine	Sand.....	\$ 379.95

RNB781	With WindowGenuine	Green.....	\$ 1045.00
RNB782	With WindowProLine	Green.....	\$ 399.95
RNB780	With WindowProLine	Sand.....	\$ 399.00

109" 3/4 Length

RNB769	Plain.....Genuine	Green.....	\$ 699.00
RNB767	Plain.....Genuine	Sand.....	\$ 383.76
PLB767	Plain.....ProLine	Sand.....	\$ 424.95
RNB770	Plain.....ProLine	Green.....	\$ 399.95

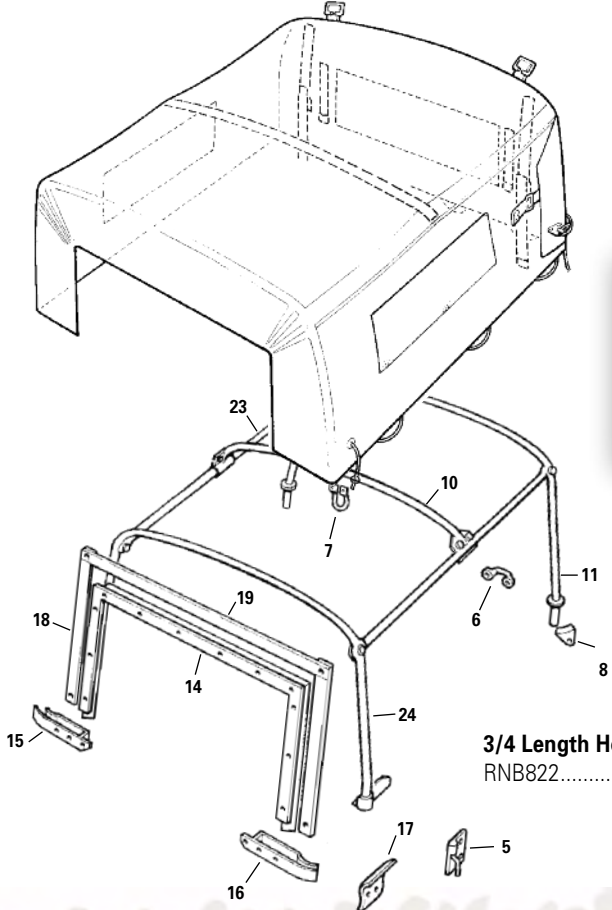
RNB773	With WindowGenuine	Green.....	\$ 849.95
RNB771	With WindowGenuine	Sand.....	\$ 869.00
RNB774	With WindowProLine	Green.....	\$ 495.00
RNB772	With WindowProLine	Sand.....	\$ 719.95



3/4 Length Hoop Set - 109"
RNB823\$ 515.12

Hoop sets include all hardware needed including door seals.
Used hoop sets occasionally available.

For more information, please inquire



3/4 Length Hoop Set - 88"
RNB822\$ POA



109" Regular with 3/4 Length Canvas Top with side windows.



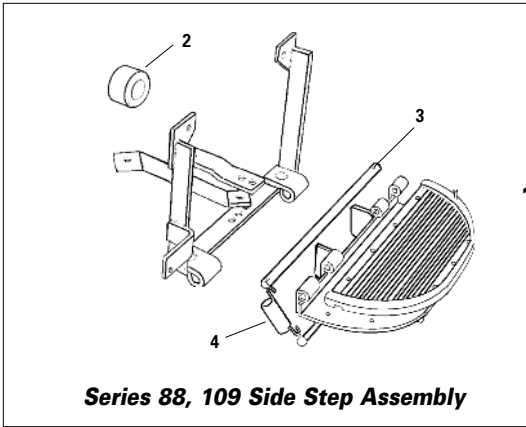
88" 3/4 Length Canvas Top without side window.

CANVAK Canvas Preservative Keeps your canvas top waterproof.
(One gallon covers one 109" full length top.) 1-gallon container.....\$ 26.00



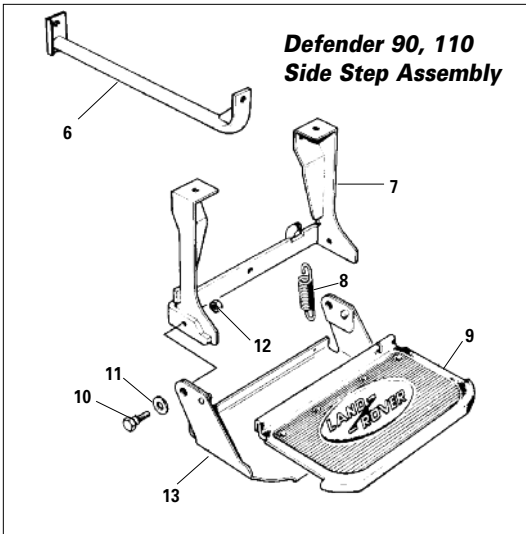
Preserving the fit of your canvas top

Your new canvas top will shrink if you allow it to get wet while the sides and or back are rolled up. To help prevent shrinkage when canvas top is new, keep sides and back fully secured down and allow it to get wet and let dry several times. This lets the canvas conform to the vehicle and hoop set. Annual applications of canvas top preservative greatly prolongs the canvas life.



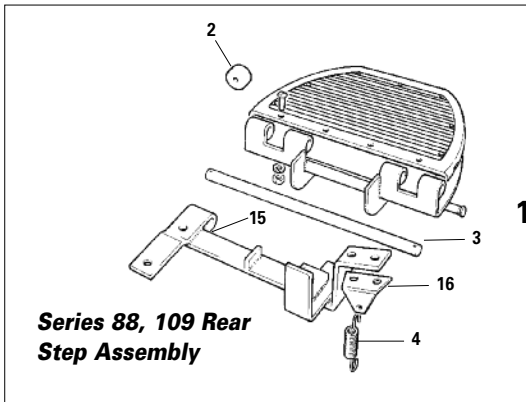
Series 88, 109 Side Step Assembly

1. RNC768	88, 109 Side Step Assembly	\$ 149.20
2. RNB028	Rubber Bumper	\$ 2.29
3. RNF553	Hinge Pin	\$ 8.84
4. RNF554	Spring	\$ 3.12



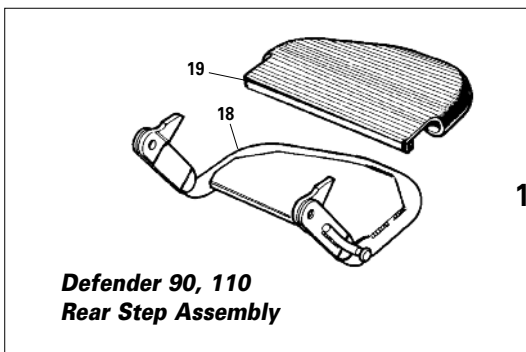
Defender 90, 110 Side Step Assembly

5. RNF367	Defender 90, 110 Side Step Assembly	\$ 121.50
6. RNE379	Support Rod for Step Assembly	\$ 15.60
7. RNE344	Mount Bracket for Side Step	\$ 104.66
8. RNE294	Spring	\$ 7.95
9. RNE300	Rubber Mat	\$ 22.95
10. RNE343	Hinge Bolt	\$ 22.59
11. RNF419	Washer	\$ 0.52
12. RNE469	Lock Nut	\$ 1.14
13. RNF557	Step Base	\$ POA



Series 88, 109 Rear Step Assembly

14. RNC631	88, 109 Rear Step Assembly	\$ POA
15. RNC360	Mount Bracket for Rear Step	\$ POA
16. RNC361	Anchor for Spring	\$ POA



Defender 90, 110 Rear Step Assembly

17. RNF368	Defender 90, 110 Rear Step Assembly	\$ 123.95
18. RNE301	Step Base	\$ 84.95
19. RNE302	Rubber Mat	\$ 21.32

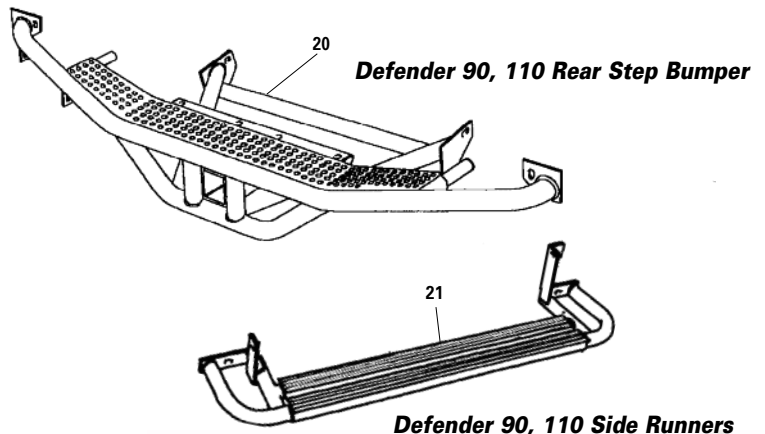
Defender 90, 110 Rear Step Bumper Assembly With Class III Receiver

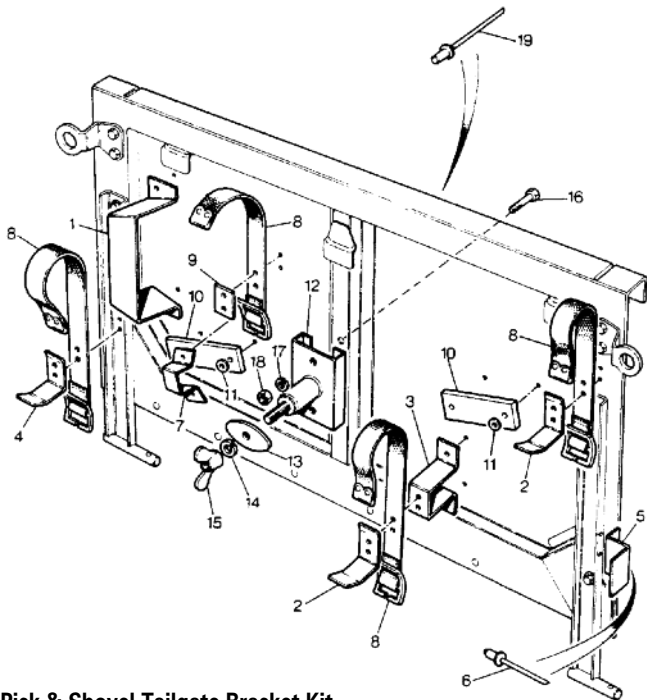
20. RNB064	Rear step Bumper	90	\$ 1539.00
RNB065	Rear step Bumper	110	\$ 2263.00



Defender 90, 110 Side Runners

21. RNB066	90 Side Runner set	\$ 499.00	
RNB067	110 Side Runner	Right	\$ 494.00
RNB068	110 Side Runner	Left	\$ 499.95
RNB069	110 Side Runner Set	\$ 489.95	





Pick & Shovel Tailgate Bracket Kit

- RNK011 **Pick & Shovel Tailgate Bracket Kit**\$ 229.95
 - 1. RNB854 Bracket Shovel Support, 1 required.....\$ 35.95
 - 2. RNE233 Bracket Tool Support, 2 required\$ 4.24
 - 3. RNB855 Bracket Pick Handle, 1 required\$ 15.95
 - 4. RNE536 Bracket Pick Handle, 1 required\$ 6.39
 - 5. RNB856 Bracket Pick Handle, 1 required\$ 25.95
 - 6. RNE525 Rivet, 2 required\$ 0.44
 - 7. RNB857 Bracket Pick Axe, 1 required\$ 18.95
 - 8. RNB697 Tool Strap, 4 required.....\$ 15.97
 - 9. RNE232 Strap Plate, 1 required\$ 2.09
 - 10. RNB859 Pad Tool Strap, 2 required.....\$ 2.84
 - 11. RNF415 Plain Washer, 4 required.....\$ 0.99
 - 12. RNB873 Bracket Pick Axe, 1 required\$ 44.59
 - 13. RNB858 Retainer Pick Axe, 1 required\$ 4.95
 - 14. RNF431 Spring Washer, 1 required\$ 0.54
 - 15. RNB575 Wing Nut, 1 required\$ 4.25
 - 16. RNE156 Bolt, 2 required\$ 1.69
 - 17. RNF429 Spring Washer, 2 required\$ 0.30
 - 18. RNE157 Nut, 2 required.....\$ 1.09
 - 19. RNC690 Rivet, 18 required\$ 0.50
- Shovel**
 RNA691\$ 49.00
- Pick Axe**
 RNF255\$ 69.95

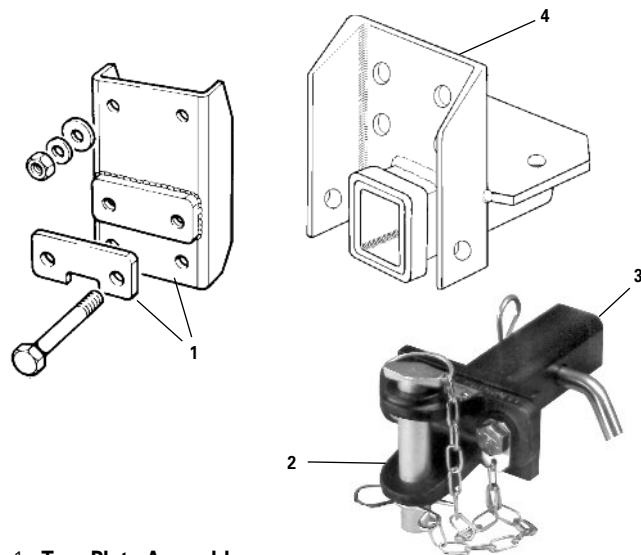
Specially designed recovery Pick and Shovel fit tailgate bracket kit. See other fitting options on page 91 or 92



Photo by Gordon Kallio

Pick & Shovel Tailgate Bracket Kit

Includes all hardware and brackets needed to mount a pick and shovel to the tailgate of Series Land Rovers as shown.
 RNK011\$229.95



1. Tow Plate Assembly

RNC197 Series II, IIA, III except military
 Includes all mounting hardware.....\$ 114.95

2. Recovery Hitch

RNF408 Recovery Hitch can be front or rear mounted to handle snatch strap, chain or winch cable as used on the Camel Trophy. Special mounting hardware incl.\$ 72.50

3. Receiver Adaptor

RNA082 Receiver Adapter allows recovery and tow hitches to be mounted into Land Rover's Class III rear receiver and Rovers North's Class III front receiver.....\$ 49.95

RNE231 Pin for Receiver Hitch.....\$ 4.19

4. Class III Receiver for Series II, IIA, III

RNA084 Bolts onto your rear frame member.
 Includes mounting hardware.\$ 206.96

RNA086 Military models only.....\$ 206.96

RNA087 109" Station Wagon only.....\$ 206.96

RNH110 Defender\$ 199.95

Special Hardware

Plastic Plugs

	Hole size	
RNB884	5/16"	\$ 0.52
RNB874	3/8"	\$ 0.69
RNB268	7/16"	\$ 0.54
RNB875	1/2"	\$ 0.52
RNC871	5/8"	\$ 1.69
RNB876	9/16"	\$ 0.41
RNB877	5/8"	\$ 0.39
RNB878	3/4"	\$ 0.44
RNB879	13/16"	\$ 0.34
RNB880	1"	\$ 0.99
RNB881	1 3/8"	\$ 0.97
RNB882	1 1/2"	\$ 1.56
RNC808	1 5/8"	\$ 1.12
RNB883	2"	\$ 1.19
Rubber Plugs		
RNC675	5/16"	\$ 1.30
RNB695	1/4"	\$ 1.59

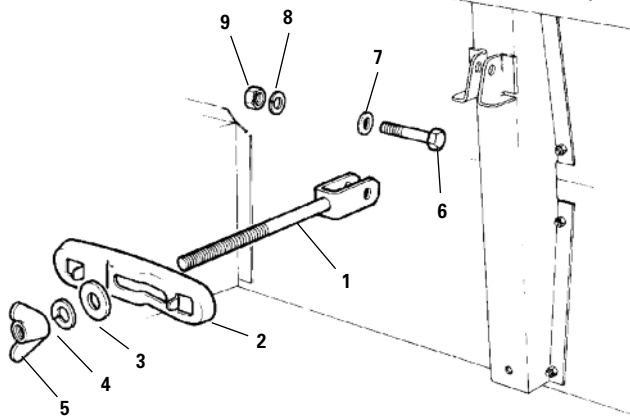
Grommets

	Hole Size	
RNC183	3/4"	\$ 3.74
RNA994	1/2"	\$ 1.89
RNA987	3/4"	\$ 2.45
RNB616	1"	\$ 2.45
RNA958	1 3/4"	\$ 1.54
RNC376	1"	\$ 3.65
RNC409	1 1/4"	\$ 1.74
RNB642	1 1/2"	\$ 3.25
RNB643	1 1/4"	\$ 2.45
RNA990	1 1/2"	\$ 5.95
RNC531	1 3/32"	\$ 3.57

Hammer Rivets

RNB678	3/16 x 5/16"	\$ 0.89
RNB669	7/16"	\$ 1.75
RNE528	9/16"	\$ 2.09

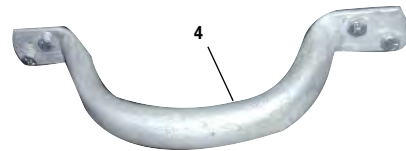
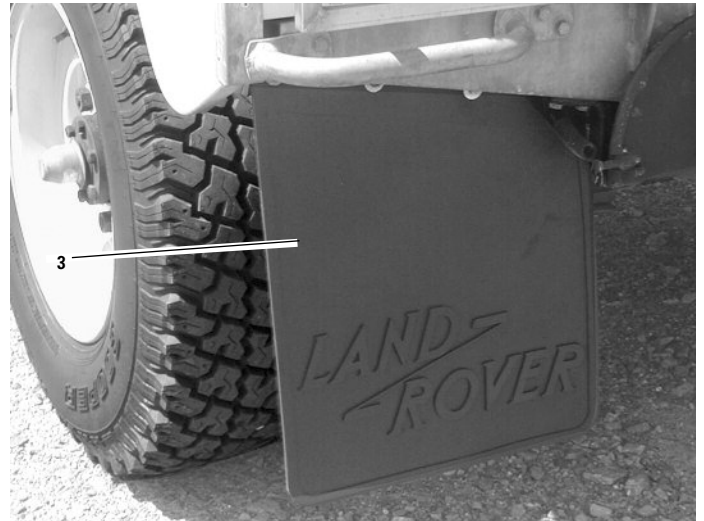
Body Parts



Interior Spare Wheel Mount

Series II, IIA, III

1.	RNB686	Stud for Spare.....	\$ 10.14
2.	RNE383	Holding Bracket.....	\$ 12.49
3.	RNC132	Flat Washer.....	\$ 0.82
4.	RNH011	Lock Washer.....	\$ 0.35
5.	RNB687	Wing Nut.....	\$ 9.84
6.	RNF281	Bolt for Fixing Stud to Bulkhead.....	\$ 0.49
7.	RNF420	Flat Washer.....	\$ 0.49
8.	RNF434	Spring Washer.....	\$ 0.52
9.	RNE474	Lock Nut.....	\$ 0.84



3. Genuine Mud Flaps Supplied with mounting brackets

Front Pair

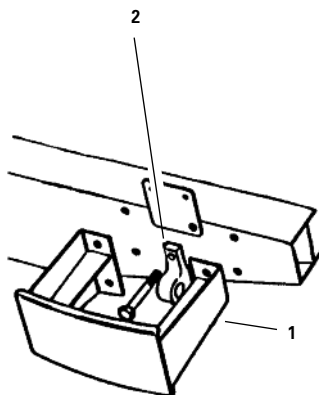
RNF252	Defender 90, 110.....	\$114.95
--------	-----------------------	----------

Rear Pair with Land Rover Logo

RNB704	Defender 88,109 Reg.....	\$ 58.19
RNK015	Defender 90 All.....	\$144.56
RNK014	Defender 110 All.....	\$ 71.95

4. Lifting Handle for rear frame member

RNB671	Land Rover now only supplied in black finish.	\$ 17.95
--------	---	----------



Rear Bumperette and Lifting Ring, fits military models only

1.	RNC448	Rear Bumperette.....Military ea.....	\$162.49
2.	RNC388	Lifting Ring, Series III.....Front ea.....	\$ 74.88
	RNE418	Lifting Ring, Series III.....Rear ea.....	\$104.95



Paint Code Tech Tip

These are general descriptions of the actual paint codes for each different manufacturer. Supply this chart to your body shop for correct matching.

PPG Deltron

Bronze Green	46451
Pastel Green	46250
Limestone	46251
Marine Blue	16514

Glasurit

Bronze Green	LEY637
Pastel Green	ROV605
Limestone	ROV105/S
Poppy Red	ROV303
Marine Blue	ROV504
Sand	ROV106

Dupont

Bronze Green	38500A
Pastel Green	38504A
Limestone	38505A
Poppy Red	38506AH
Marine Blue	38503A

Code

Land Rover Genuine Colours

Defender 90

AA Yellow	LRC559
Caprice Teal	LRC533
Coniston Green	LRC570
Arles Blue	LRC424
Alpine White	LRC456



Nameplates & Labels

1.	RNF700	Land Rover Nameplate (available used only)	POA
2.	RNF330	4wd Station Wag. Nameplate-Cast Aluminum ..	\$ 89.95
3.	RNE359	Land Rover 110 Decal.....	\$ 8.95
4.	RNC591	12 Volt Negative Earth Label	\$ 9.24
5.	RNC590	24 Volt Negative Earth Label	\$ 5.29
6.	RNE457	Unleaded Fuel Only Label.....	\$ 9.85
7.	RNC161	Diesel Fuel Only Label.....	\$ 3.57
8.	RNB967	Label for 6 Way Military Switch.....	\$ 5.20
9.	RNB566	Valve Tappet Clearance Plate	\$ 5.29
10.	RNC124	Negative Earth Alternator Plate	\$ 14.95
11.	RNB318	Land Rover Badge, 3 1/2" oval, gold & green enamel look.....	\$ 11.29
	RNB084	Land Rover Badge, 3 1/2" oval, silver & green enamel look	\$ 15.95

12.	RNC921	Defender Decal.....	\$ 7.29
13.	RNF388	Land Rover GB oval sticker 6 3/4" x 4 1/2"	\$ 6.50
14.	RNC930	Land Rover Raised Lettering Plate	\$ 23.49
15.	RNA695	Best 4x4x FAR sticker 17" x 2"	\$ 7.50
16.	RNC718	Land Rover Oval Logo License Plate 12" x 7"	\$ 17.29
17.	RNF242	Land Rover Woven Clothing Patch 3 3/4" x 2"	\$ 7.59
18.	RNF254	Land Rover Oval Logo Sticker 16" x 8"	\$ 11.95
19.	RNF364	Special Vehicles Sticker 4" x 2 1/4"	\$ 6.50
20.	RNF365	Special Vehicles Sticker 7 1/2" x 4"	\$ 10.50
21.	RNA1234	Rovers North Windscreen Decal, white 20" x 2" \$	6.95
22.	Promotional	Rovers North Series decal, tan & green 6" x 3" ..	Free
23.	RNA1235	Rovers North "Rallye Plate" Sticker 7 3/4" x 3 3/4" ..	\$ 3.99
24.	RNA1235L	Rovers North "Rallye Plate" Sticker 18" x 7"	\$ 6.95
25.	RNA1240	got mud? sticker 5" x 2"	\$ 3.95

Miscellaneous Special Hardware

RNB885	Plastic Capped Turret Nut for windscreen holddown.....	\$ 4.25
RNE340	Rubber Bolt head cover5/16" bolts	\$ 3.59
RNB699	Buffer Apron Panel	\$ 3.59
RNC734	Buffer Radiator Panel.....	\$ 0.79
RNC735	Tool Clip	\$ 3.60
RNB846	Hinge Pin for Dash Vent	\$ 3.34
RNF435	Spring for Tailgate Hinge.....	\$ 1.79

Fixed Nuts & Stud Plates

Stud Plate for Wing to Radiator Panel		
RNE273	3 Stud Panel.....	\$ 4.55
RNE274	2 Stud Panel.....	\$ 10.59
RNC896	Fixed Nuts for Door Latch Fixing Plate.....	\$ 3.65
RNC895	Stud Plate for Door Latch Fixing Plate	\$ 4.15
RNC397	Fixed Nut Wiper Motor	\$ 12.99

Aerosol Touch-Up Paint

When you need an exact colour match for small jobs. Easy to use 150ml can. Over sixty colours available. For Series vehicle paint codes, see page 68.

RNE655	Pastel Green	\$ 10.99
RNE657	Bronze Green.....	\$ 11.75
RNE659	Marine Blue	\$ 11.75
RNE661	Limestone	\$ 11.75
RNF241	Alpine White	\$ 13.95
RNE663	White Primer.....	\$ 11.75
RNE665	Grey Primer.....	\$ 7.09



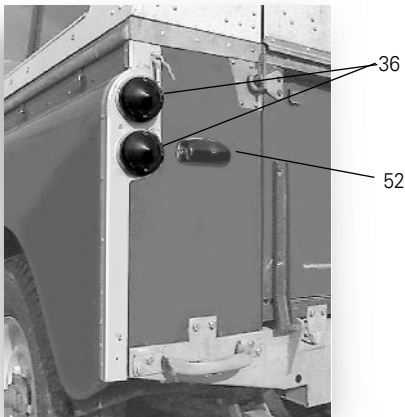
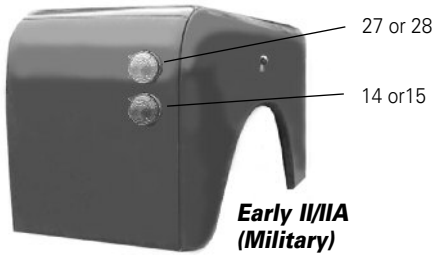
Fax: (802) 879-9152



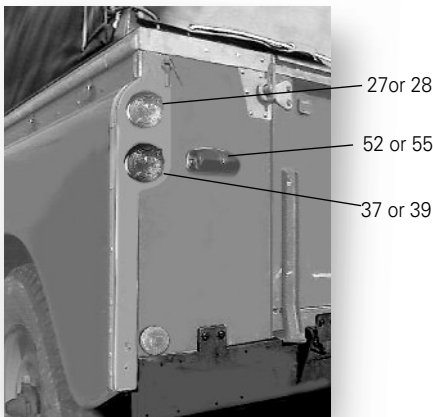
Orders: (802) 879-0032



Series II/IIA

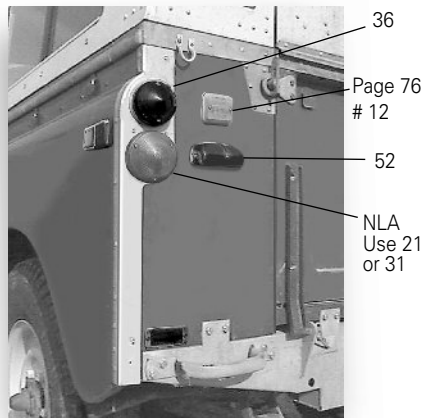
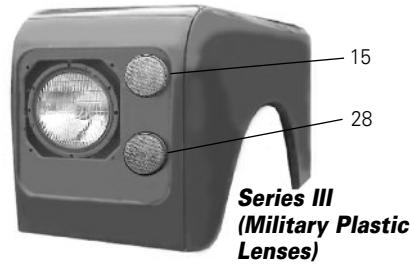
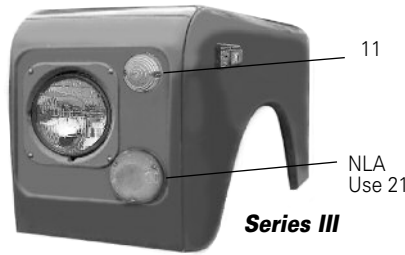
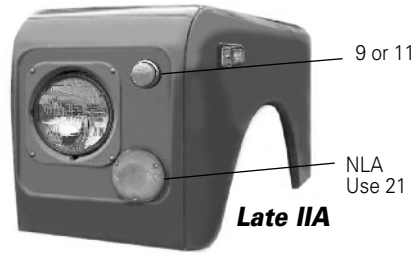


II/IIA

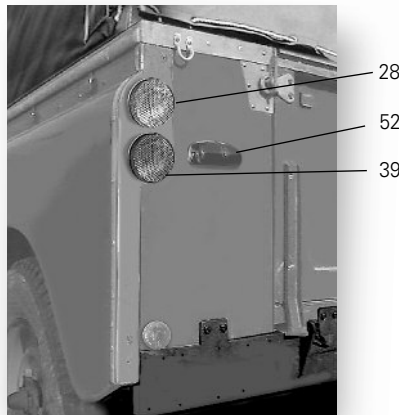


II/IIA (Military)

Late Series II A / Series III

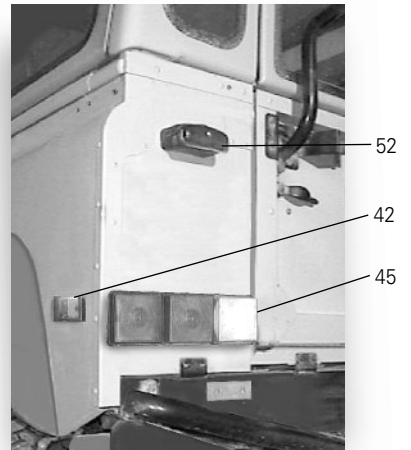
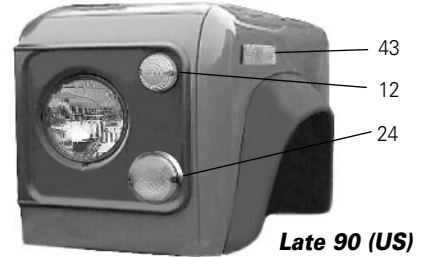
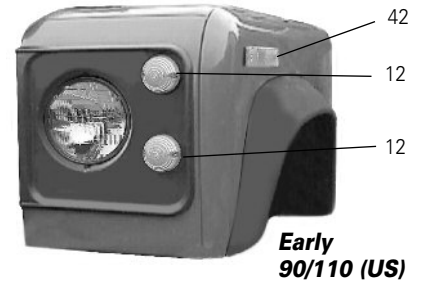


Series III / Late II A

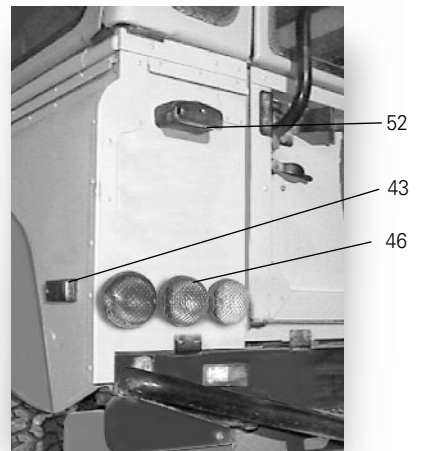


Series III / Late II A Military

Defender

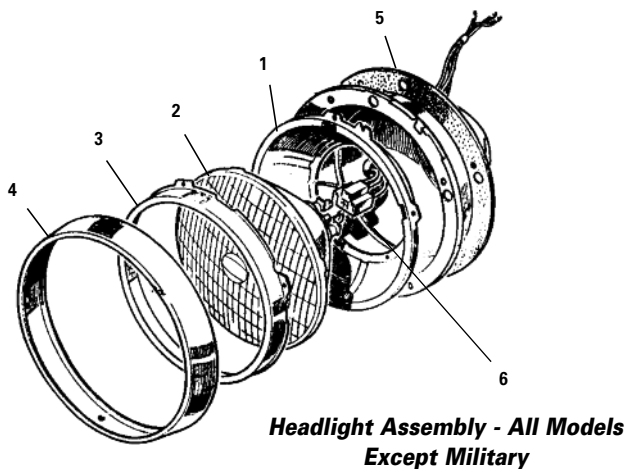


Early 90/110 (US)



Late Defender 90 (US)

ELECTRICS



Side Light Assembly Front

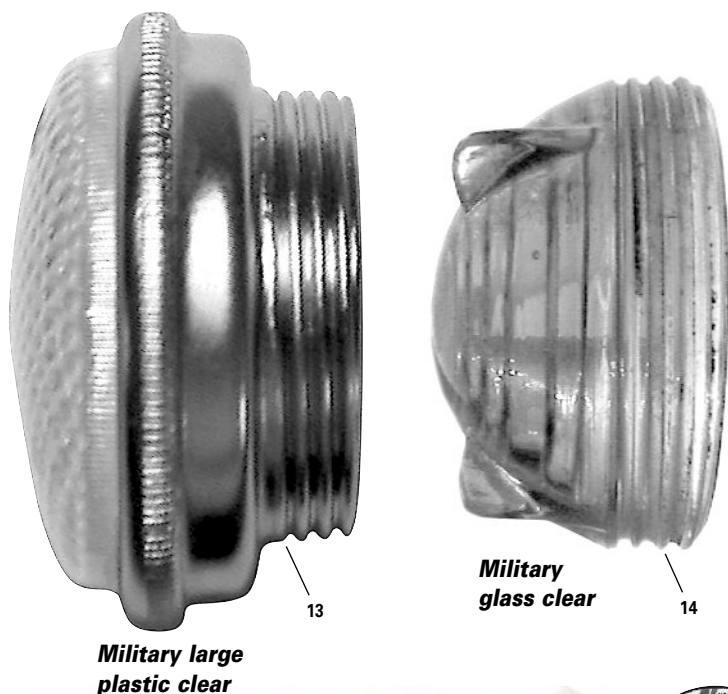
(Parking Light)

Series II, IIA Through 1970 clear glass

- 6. RNB586 Chrome Retainer\$ 12.49
- 7. RNB625 Lens.....Clear glass\$ 17.95
- 8. RNE676 Bulb12 volt\$ 1.95
- RNF324 Bulb24 volt\$ 2.54
- 9. RNC786 Complete Assembly.....excluding bulb\$ 51.95
- 10. RNC528 1971 on Series III Lens ...Clear Plastic\$ 6.59
- RNC529 1971 on Series III Lens ...Amber Plastic.....\$ 6.95
- 11. RNF187 Complete Assembly.....excluding bulb\$ 15.74
- 12. RNC866 Defender 90, 110 Amber Side Lamp Plastic ...\$ 24.95
- RNE799 Bulb Holder\$ 4.94

Military All Models

- 13. RNC800 Lens.....Large Plastic Clear ...\$ 77.95
- 14. RNC607 Lens.....Glass Clear\$ 24.95
- 15. RNE557 Complete Assm. with Large Plastic Lens.....\$ 99.95



Headlight Assembly Components

All Models Except Military

- RNF362 Inner Bucket.....\$ 39.95
- 1. **Bucket Assembly:**
- WIPAC Plastic replacement assm. Includes inner bucket, adjuster assm. & gasket. Works for all models, will never rust.\$ 26.54
- 2. **Headlight 12 volt**
- RNE639 Sealed Beam.....\$ 9.19
- RNE507 Halogen Sealed Beam\$ 15.75
- 3. RNE517 Retainer for Headlight.....\$ 28.87
- 4. **Chrome Finisher**
- RNA912 Series II, IIA Through 1968.....\$ 62.00
- 5. RNC270 Rubber Gasket for Bucket\$ 16.49

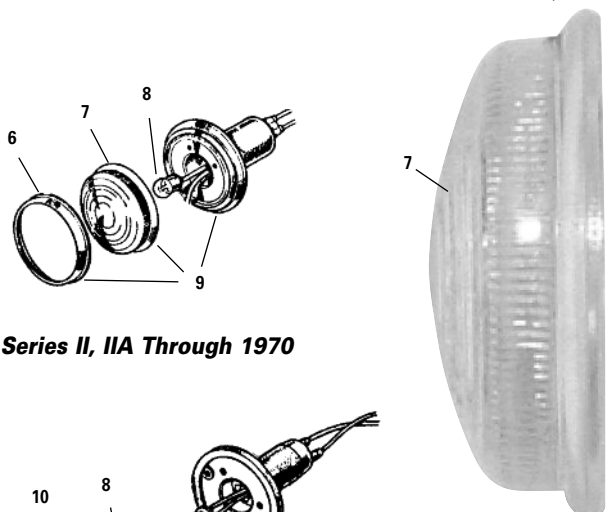
Military Headlight Bulb

- RNC171 12 volt\$ 12.95
- RNC198 24 volt\$ 22.95

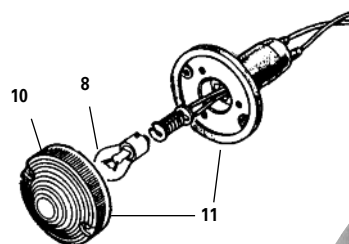
For Military Headlight and Infra-red Bezel Parts – please inquire

Headlamp Plug With Insulated Wire Leads

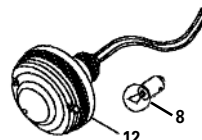
- 6. RNF560\$ 16.59



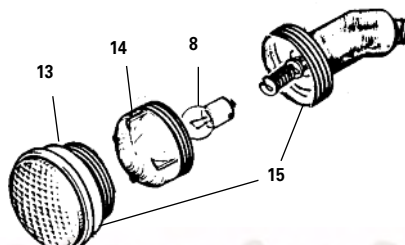
Series II, IIA Through 1970



1971 on Series III Lens



Defender 90, 110 Lens

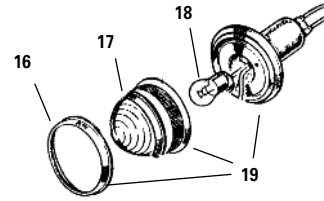


ELECTRICS

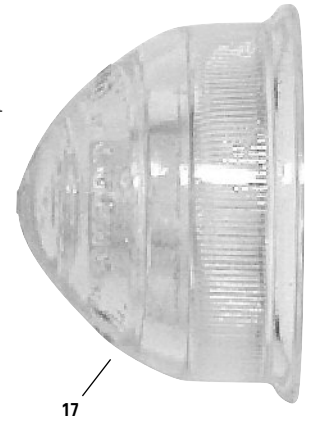
Directional Lights Front

Series II, IIA Through 1968

16. RNB586	Chrome Retainer.....	\$ 12.49
17. Lens Beehive Shaped Glass		
RNB992	Clear.....	\$ 14.95
RNC613	Amber.....	\$ 23.95
18. RNE627	Bulb.....12 Volt.....	\$ 1.16
RNC533	24 Volt.....	\$ 2.45
19. Complete Assembly, Clear Glass		
RNC277	excluding bulb.....	\$ 49.95



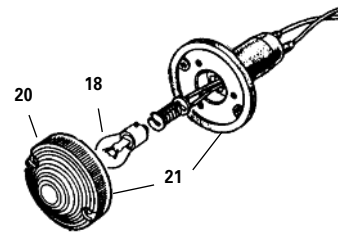
Series II, IIA Through 1968



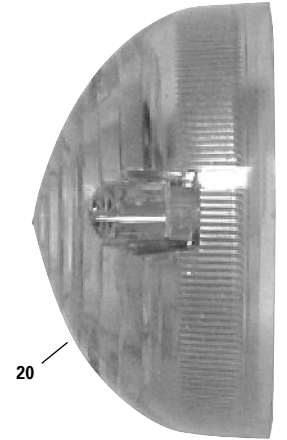
Series IIA, III 1969 on

4" amber directional lenses and lamps used from 1969 through 1974 are no longer manufactured. RNF188 is the replacement lamp, and is 2 7/8 inches in diameter

20. RNC529	Lens.....Amber plastic.....	\$ 6.95
21. RNF188	Complete Assembly.....excluding bulb.....	\$ 15.74



Series III lens 1969 on



Defender 90, 110; Front, 1993, 1994 USA models only

Located in front bumper, includes wiring connector

22. RNC852	Complete Assembly.....	\$ 24.99
------------	------------------------	----------



Bumper Lamp

Defender 90 1995 on USA models only

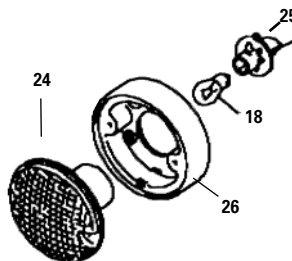
Waterproof Boot Kit For Round Defender Tail Lamps, 1995 on.

Kit includes new bulb sockets, rubber boots, clamp, connector repair kit and sealing compound. Does all five rear lamp assemblies. All components are available individually, please inquire.

RNK9095	\$ 134.95
---------	-------	-----------

Defender 90, 110; Front, 1993, 1994 USA models only

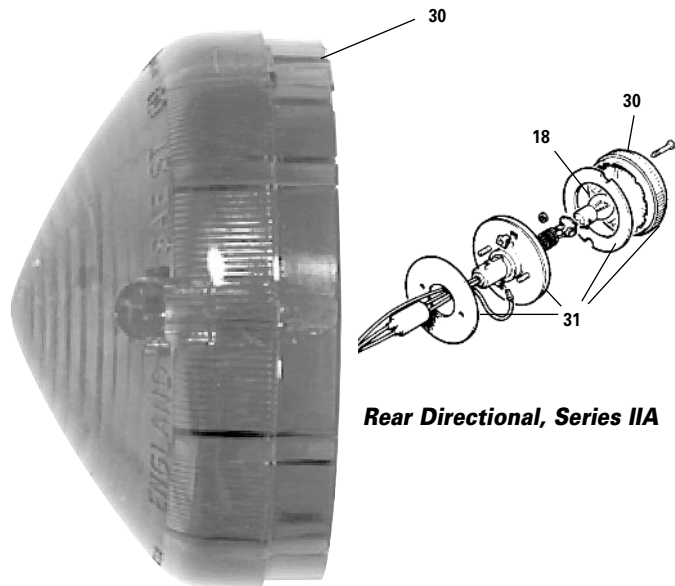
24. RNC868	Defender 90 1995 on Directional Lamp.....	\$ 19.95
25. RNE799	Bulb Holder.....	\$ 4.94
26. RNC861	Plinth.....	\$ 8.75



Defender 90 1995 on Directional Lamp



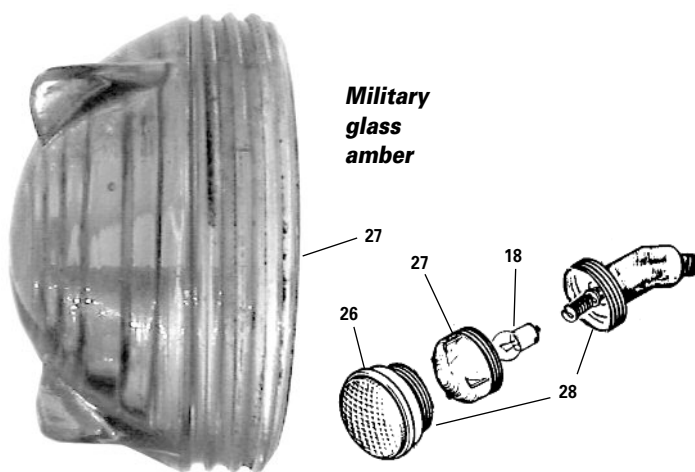
Directional Lights



Rear Directional, Series IIA

Rear Directional, Series IIA through 1968

30. Lens Plastic		
RNB990Amber	\$ 19.95
RNB989Red	\$ 17.95
31. Complete Assembly		
RNC279Amber only....	\$ 74.95

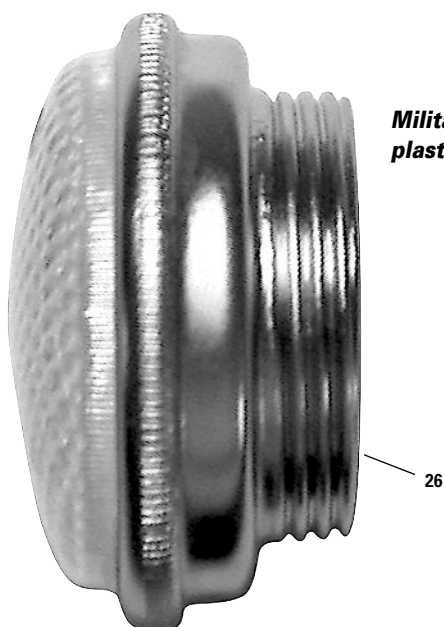


Military glass amber

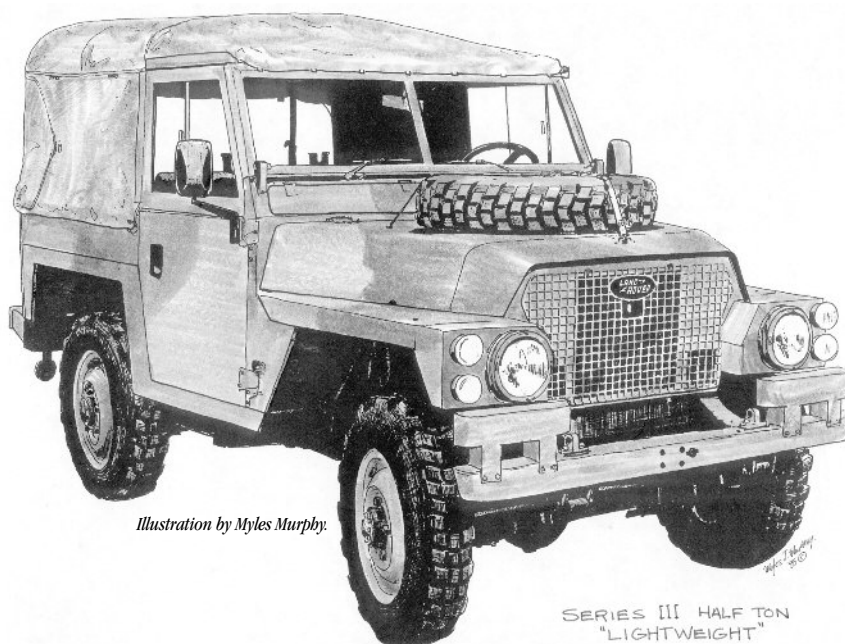
Military Front and Rear All models

26. Lens - Large Plastic Amber		
RNE550	Front.....	\$ 83.80
RNE551	Rear.....	\$ 99.95
27. RNC609	Lens- Glass.....Amber	\$ POA
28. Complete Assembly with Large Plastic Lens, excluding bulb		
RNE553	Front.....	\$ 138.85
RNE554	Rear.....	\$ 126.95

Military All models



Military large plastic amber



ELECTRICS

Tail and Stop Lights

Series II 1958 through 1960

32.	RNE626	Bulb12 volt\$	1.35
	RNC189	24 volt\$	8.79
33.	Lens 3 1/8" diameter Plastic				
	RNC530	Red with clear bottom for illuminating number plate\$	8.12	
34.	Complete Assembly excluding bulb				
	RNC187	Solid Red\$	25.95	

Series IIA, III 1961 through 1972

35.	RNB989	LensRed\$	17.95
36.	RNC280	Complete Assemblyexcluding bulb	\$	79.95

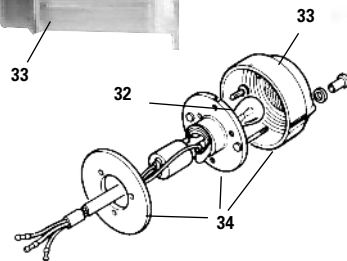
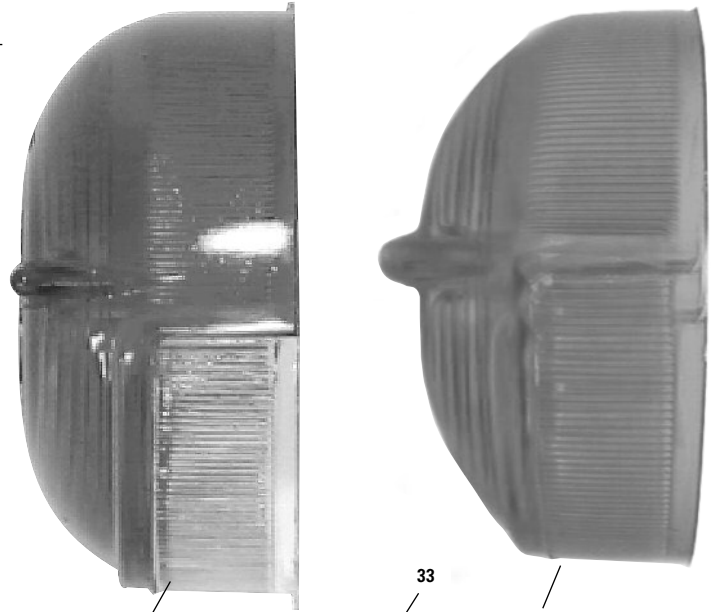
*Series III 1973 through 1974, Lens or Complete Assembly NLA.
Recommended Replacement RNC280 or RNF199.*

Military All Models

37.	RNC608	LensGlass Red\$	24.96
38.	RNC784	LensLarge Plastic Red	\$	94.95
39.	Complete Assembly				
	RNE555	With large Plastic Lens, excluding bulb\$	POA	

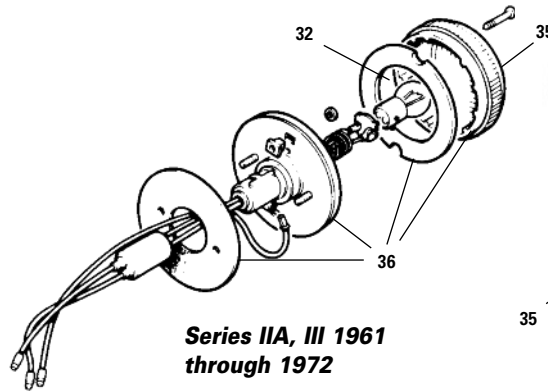
Defender 90,110, 130 Normal (Non-USA)

40.	RNE564	LensRed\$	4.29
41.	RNF199	Complete Assembly\$	15.55	



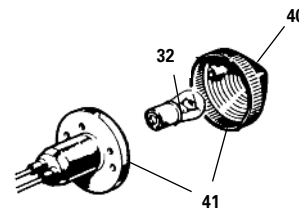
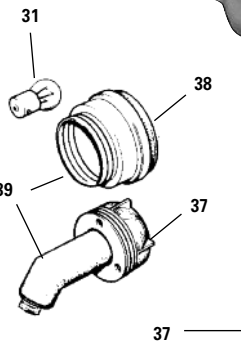
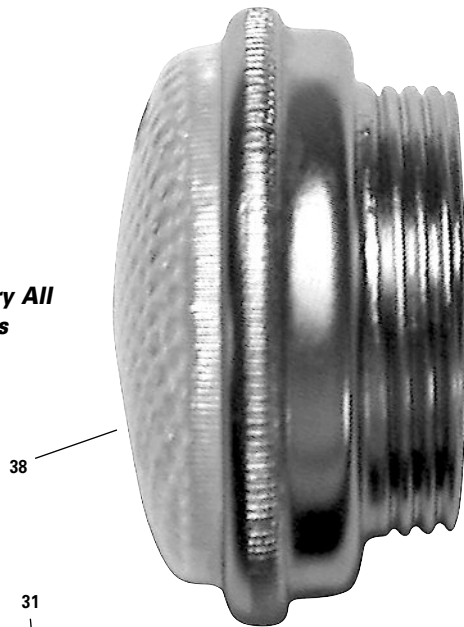
34 (Available as complete assembly only).

Series II 1958 through 1960

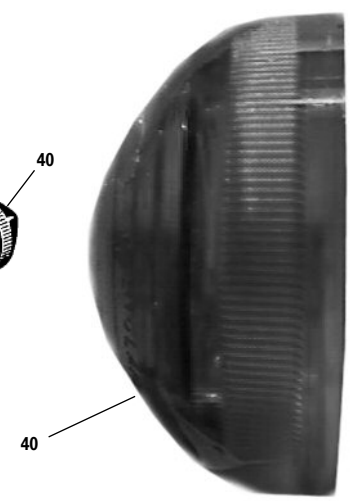
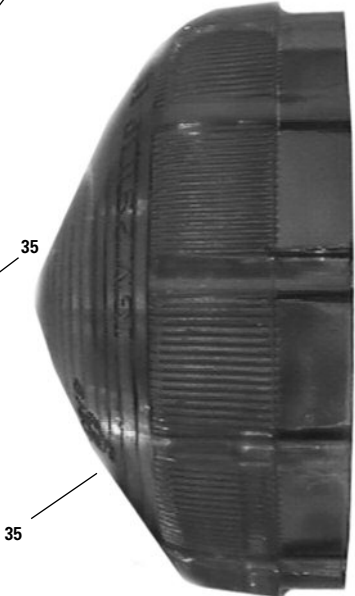


Series IIA, III 1961 through 1972

Military All Models

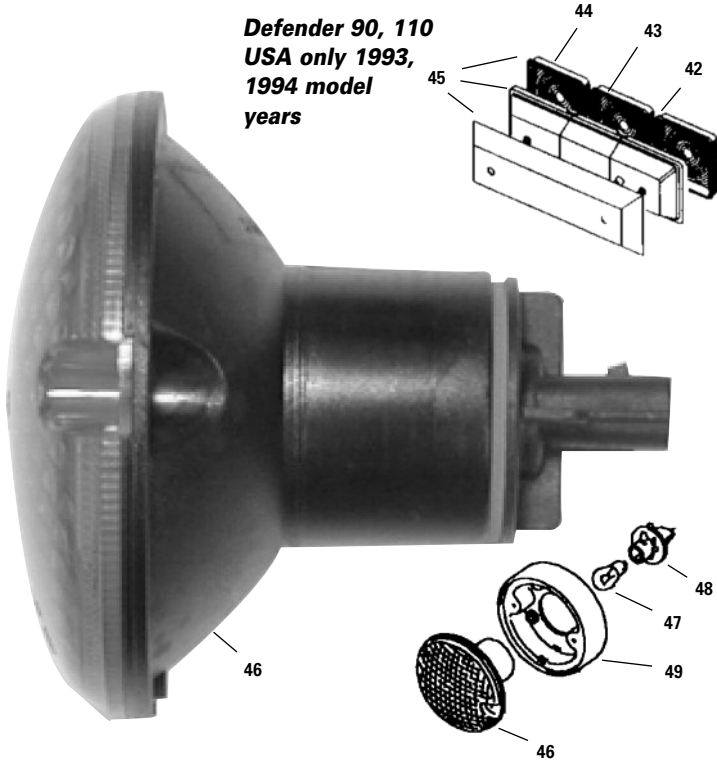


Defender 90,110, 130 Normal (Non-USA)



Tail and Stop Lights, con't

**Defender 90, 110
USA only 1993,
1994 model
years**



Defender 90, 110 USA only 1993, 1994 model years

42. RNF392	Lens	Red	\$ 24.95
43. RNF393	Lens	Amber	\$ 23.20
44. RNF394	Lens	Clear	\$ 23.50
45. Complete Assembly			
RNC850	Right		\$ POA
RNC851	Left (Includes Reverse Light)		\$ POA

Defender 90 USA only 1995 on

46. RNC867	Red Stop Tail Lamp	\$ 19.95
RNC868	Amber Directional Lamp	\$ 19.95
RNC869	Clear Reverse Lamp	\$ 21.50
47. RNE626	Bulb Stop Tail Lamp 12 volt	\$ 1.35
RNE627	Bulb Directional and Reverse 12 volt	\$ 1.16
48. RNF438	Bulb Holder Stop Tail Lamp	\$ 4.49
RNE799	Bulb Holder Directional and Reverse	\$ 4.94
49. RNC861	Plinth for Tail Lamps Defender '95 On	\$ 8.75



Waterproof Boot Kit For Round Defender Tail Lamps. 95 on. Kit includes new bulb sockets, rubber boots, clamp, connector repair kit and sealing compound. Does all five rear lamp assemblies. All components are available individually, please inquire.

RNK9095	\$ 134.95
---------	-------	-----------

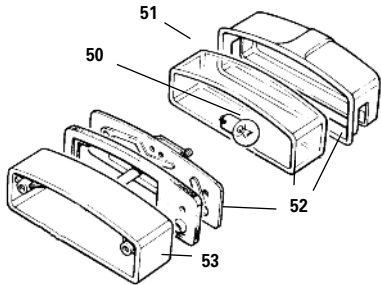
Defender 90 USA only 1995 on

License Plate Light All Models Except Military

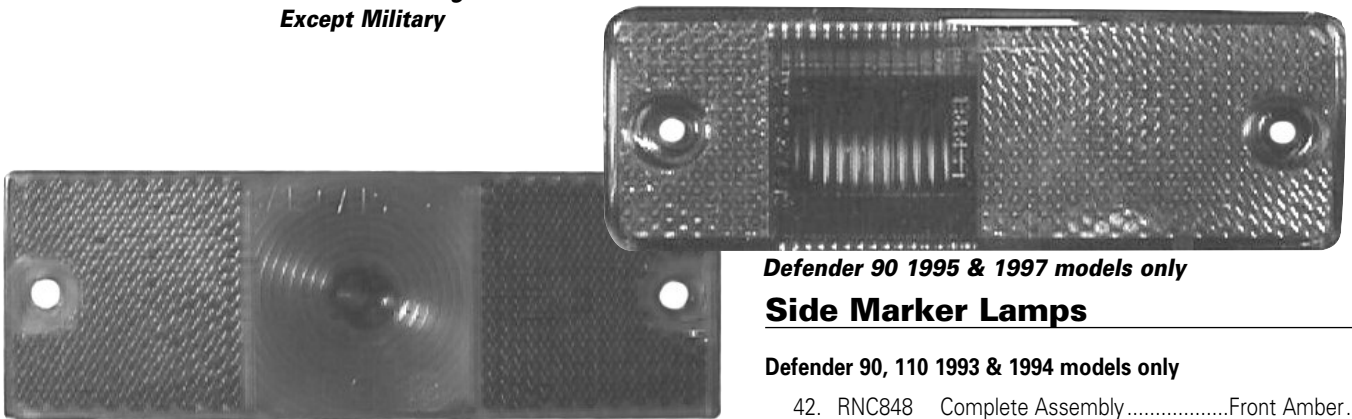
50. RNE670	Bulb	12 Volt	\$ 1.99
51. RNF189	Lens		\$ 8.25
52. RNF439	Complete Assembly		\$ 17.45
53. RNB906	Mounting Spacer for Plate Lamp		\$ 5.95

Military Plate Light and Chassis Mounted Convoy Light All Models

54. RNE676	Bulb	12 Volt	\$ 1.95
RNF324	Bulb	24 Volt	\$ 2.54
55. Complete Assembly			
RNF183	Excluding Bulb		\$ 248.98



License Plate Light All Models Except Military



Defender 90 1995 & 1997 models only

Side Marker Lamps

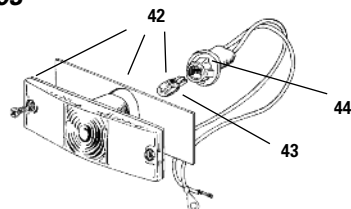
Defender 90, 110 1993 & 1994 models only

42. RNC848	Complete Assembly	Front Amber	\$ 11.95
RNC849	Complete Assembly	Rear Red	\$ 11.95

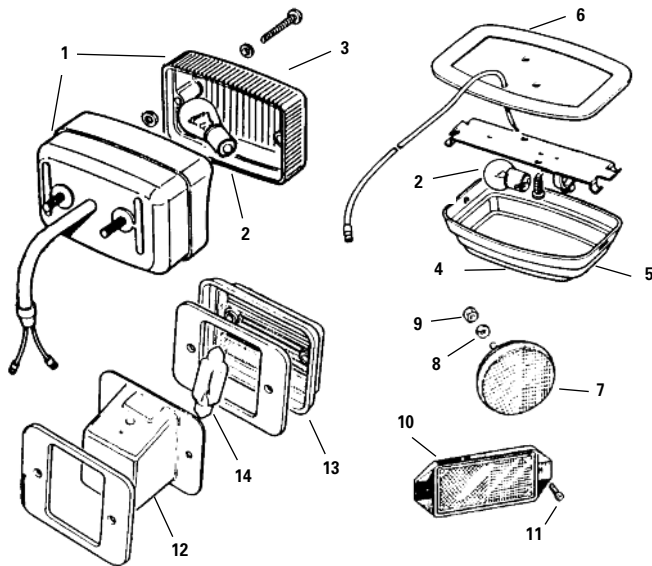
Defender 90 1995 model on

RNF183	Front Right Amber	\$ 248.98
RNE754	Front Left Amber	\$ 11.39
RNE773	Rear Right Red	\$ 11.25
RNE757	Rear Left Red	\$ 11.39
43. RNE672	Bulb all models 90, 110	\$ 1.14
44. RNE803	Bulb holder for RNE773 or RNE757	\$ 69.95

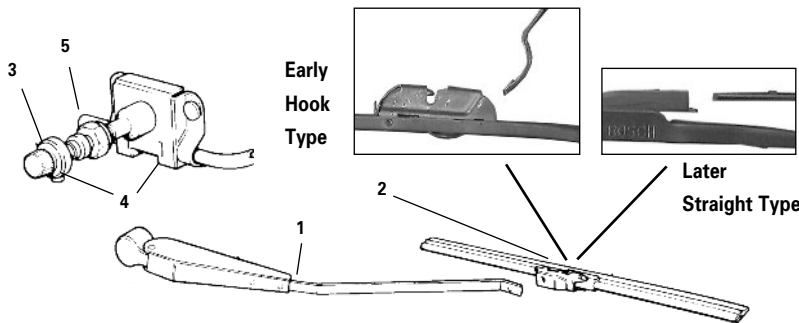
**Defender 110, 90 1993
& 1994 models only**



Miscellaneous Lamps



1. Aux. Lamp	
RNE511	Rear Fog, Red Lens.....\$ 36.35
RNE512	Reverse Lamp, Clear Lens.....\$ 18.20
2. Bulb Aux. Lamp - Interior	
RNE627	12 Volt.....\$ 1.16
RNC533	24 Volt.....\$ 2.45
3. Lens	
RNE666	Red Rear Fog.....\$ 8.69
RNE667	Clear Reverse Lamp.....\$ 12.49
RNF319	Interior Lamp Assembly.....\$ 68.95
RNB706	Lens Interior Lamp.....\$ 16.25
RNE307	Pad Interior.....\$ 13.00
RNC357	Round Reflector.....\$ 16.95
RNF432	Spring Washer.....\$ 0.38
RNF215	Nut.....\$ 0.33
RNF440	Rectangular Reflector.....\$ 5.60
RNC790	Screw.....\$ 0.47
RNC477	Reverse Lamp Assm.....\$ 74.95
RNC648	Lens.....Reverse Lamp...\$ 26.95
RNC757	Bulb.....Reverse Lamp...\$ 3.95



Late Series IIA, III Wiper Arms and Blades in Stainless Steel & Chrome Finish

RNK819/2	Wiper kit with both arms and 2 blades.....\$ 24.99
RND255	LH Wiper Arm.....\$ 9.95
RND256	RH Wiper Arm.....\$ 9.95
PLD285	10" Blade.....\$ 6.95

Windscreen Wipers And Washer

1. Arms	
RNC257	Series I, II, IIA for independent wiper motor, positive earth, ProLine.....\$ 27.00
Series IIA & III single wiper motor, negative earth	
RNE496	Right.....\$ 19.95
RNE495	Left.....\$ 26.00
RNE501	90, 110, 130, Genuine.....Front.....\$ 24.96
PLE501	90, 110, 130, ProLine.....Front.....\$ 13.95
RNE520	90, 110, 130.....Rear.....\$ 17.95
2. Blades	
RNE612	Replacement for independent wiper motors, positive earth, with original hook type arm, ProLine.....\$ 15.50
RNF238	Front & Rear Series IIA, III negative earth.....\$ 9.95
Defender 90, 110	
RNC948	Front & Rear.....\$ 11.09
RNF166	Winter Wiper Blades 90,110, ProLine.....\$ 20.59
3. Adapters - All Models	
RNF402	Fastener between arm and shaft.....\$ 8.84
4. Wheel Box Assembly	
RNE519	Series IIA Suffix F on, Series III, 90, 110.....\$ 47.95
RNH502	Wiper spindle seal.....\$ 7.75

Motor Windscreen Wipers

RNE649Series I, II, IIA, pos. earth.....\$ 325.00
RNE652Series IIA, '68 on,.....\$ 227.95
RNE652Series III, 90, 110.....\$ 227.95



Rear Door Wiper Motor

RNE625	Defender 90, 110.....\$ 237.95
--------	--------------------------------

Drive Gear For Motor

RNB988	Series IIA, Suffix F on, Series III.....\$ 48.95
RNC220	Defender 90, 110.....Front.....\$ 64.63

Park Switch

RNC227	Series III, 90, 110.....\$ 32.50
RNC948	Defender 90/110.....Front or Rear.....\$ 11.09

Switches

RNC377	Single Speed 1967-1968.....\$ 44.59
RNE809	2 Speed 1969 - 1983.....\$ 98.95
RNC755	Knob for wiper switch - 2 speed.....\$ 7.49
RNE514	Defender 90, 110 Wipe, Wash, Delay.....\$ 124.95
RNE506	90, 110 Wipe, Wash, Delay.....Rear.....\$ 74.21

Washer Jet Assembly

RNE488	Series IIA, III.....\$ 10.95
RNC857	90, 110 1987 on,Front.....\$ 12.49
RNC858	90, 110 1987 on,Rear.....\$ 17.39



Washer Motor

RNF359	Series IIA, III Mounts independent of reservoir.....\$ 48.39
RNC952	Defender 90, 110.....Front.....\$ 52.19
RNC797	Defender 90, 110.....Rear.....\$ 44.25

Reservoir for Washer Fluid

RNE481	Series IIA, III Reservoir	\$ 27.50
RNE482	Cap for Reservoir	\$ 2.45
RNC772	One way Valve for Reservoir	\$ 6.95
RNE508	90, 110, 130 Reservoir '87 on ...	\$ 102.99
RNC951	Cap for Reservoir	\$ 4.75
RNC870	One way Valve for Reservoir	\$ 3.69
RNC657	Inline Check Valve	\$ 12.49
RNE510	Tee Piece	\$ 3.49



Tubing for Washer System All Models

RNE638	Sold by the meter	\$ 2.34
--------	-------------------------	---------

Fuse Box Assembly

RNC634	Series IIA	\$ 24.95
RNE830	Series III	\$ 74.95

Fuse Box Cover

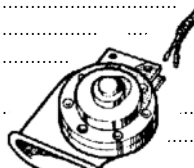
RNF561	Series IIA	\$ 8.95
RNE833	Series III	\$ 10.95
RNC904	Defender 90 Automatic Trans with Air	\$ 115.00
RNF446	Defender 90 5 Spd. Manual Trans	\$ 28.60
RNF446	Defender 110	\$ 28.60

Fuse

RNF175	15 amp/8 amp continuous	\$ 1.12
RNF176	25 amp/12 amp continuous	\$ 1.14
RNF177	35 amp/17 amp continuous.	
	Used in all Series LRs, Genuine	\$ 1.20
PLF177	35 amp/17 amp continuous.	
	Used in all Series LRs, ProLine	\$ 0.75
RNF732	3A	\$ 8.99
RNE733	5A	\$ 1.17
RNE734	7.5A	\$ 1.14
RNE735	10A	\$ 1.14
RNE736	15A	\$ 1.69
RNE737	20A	\$ 1.14
RNE738	25A	\$ 1.14
RNE709	30A	\$ 4.25

Horn All Models

RNF443	High Tone	\$ 28.95
RNF444	Low Tone	\$ 28.95



Dimmer Switch

RNF168	Series II, IIA	\$ 24.50
RNC749	Directional Wand Series IIA	\$ POA

Directional & Dimmer Wand

RNE845	Series III	\$ 83.49
RNF346	Defender 90, 110	\$ 157.95

Flasher Unit For Directional Lights

RNC158	Series IIA	2 prong	\$ 9.74
RNF352	Series III	3 prong	\$ 15.95
RNF352	Defender 90, 110		\$ 15.95

Relays, Defender 90,110

RNE674	Air Conditioning, Headlights, Starter Motor and Dash Harness	\$ 12.50
RNE671	Fuel Pump and Fuel Injection V8	\$ 44.48
RNC898	Split Charge System	\$ 58.95

Voltage Stabilizer

RNC912	Late Series IIA	\$ 30.95
RNE826	Series III	\$ 23.50
RNC855	Defender 90, 110	\$ 109.95

Brake Light Switch

RNF313	Series II, IIA Hydraulic Switch up to Suffix E ...	\$ 17.19
RNC478	Series IIA, III Switch for Dual Circuit Power Brakes, 1969 on	\$ 20.49
RNE502	Defender 90, 110 USA	\$ 19.95

Hazard Switch Assembly

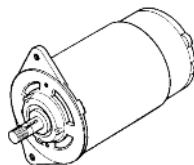
RNE824	Series III	Switch	\$ 92.95
RNH503	Series III	Knob	\$ 16.95
RNE629	Bulb for above		\$ 2.45
RNE593	Flasher Unit		\$ 38.95
RNF447	Defender 90, 110, 130 Switch		\$ 82.95
RNF391	Bulb for above		\$ 1.99

Charging Systems

Voltage Regulator

RNE648	2.25 litre Series II, IIA	\$ 72.95
RNF209	2.25 litre Series III 1972 on	\$ 22.83
RNC639	2.6 litre Series IIA	\$ 41.95
RNC639	Military 12 Volt Series IIA Replacement	\$ 41.95

Generator

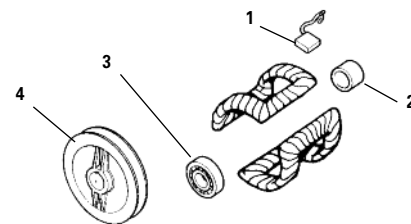


RNE647	C-40 type, 2.25 litre P & D	\$ 89.95
Core*	\$ 30.00
RNC355	C-42 type, 2.6 litre Series IIA	\$ 299.95
Core*	\$ 50.00

Generator Parts

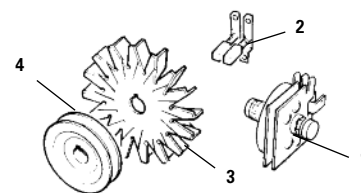
C-40 Dynamo
2.25 litre P & D

1.	PLE594	Brush, (2 required)	\$ 5.25
	PLF181	Brush Spring	\$ POA
2.	RNB623	Rear Bushing	\$ 1.79
3.	RNC256	Front Bearing	\$ 10.95
4.	RNF564	Pulley	\$ 33.80



Alternator

RNH504	Woodruf Key	\$ 0.99	
RNK951	Alternator conversion kit for Series IIA	\$ 259.95	
RNF193	Series III	34 Amp	\$ 189.95
Core*	\$ 50.00	
RNF194	Series III	43 Amp	\$ 199.95
Core*	\$ 75.00	
RNE846	90, 110, 130, Genuine	100 Amp	\$ 739.95
PLE846	90, 110, 130, ProLine	100 Amp	\$ 349.95



Alternator Parts Series III

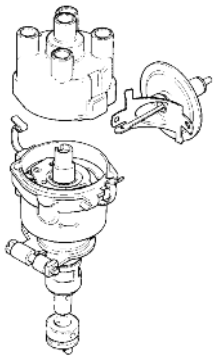
1.	PLF165	Rectifier	\$ 17.95	
	RNE653	Voltage Regulator	4 Wire	\$ 33.95
2.	RNE597	Brush Set	\$ 6.95	
3.	RNC788	Fan	\$ 9.19	
4.	RNC445	Pulley	\$ 51.95	
	RNC347	Plug Assembly	\$ 7.49	
	RNC446	Adjusting Bracket Top	\$ 5.24	
	RNE135	Mounting Bracket Bottom	\$ 207.90	

Belt For Generator and Alternator

RNC422	Series IIA, III	2.25 litre	\$ 7.95
RNC003	Defender 90, 110	3.9 litre	\$ 29.50
RNC309	24 volt Military Matched Set of 2 belts		\$ 25.49
RNC374	12 volt matched set of 2 belts		\$ 21.95

** Core charge on reconditioned components is refunded when the worn rebuildable component is returned.*

Ignition Systems



Distributor

2.25 Litre Petrol Distributor Assembly

Series II, IIA, III (will also fit 2.3, and 2.5 engines)
RNE143Lucas Type\$ POA

Vacuum Advance

RNC798New Type Lucas Distributor ...\$ 54.95

Low Tension Lead

RNC604 ...Early Lucas Distributor
.....Genuine\$ 14.95
PLC604Early Lucas Distributor
.....ProLine\$ 12.95

Distributor Top Plate

RNC771Early Lucas Distributor\$ 41.95

RNI019 3.9 Litre Petrol Distributor Assembly\$ 599.00

Ignition Module NAS V8 3.9 Litre

RNI024 3 Pin Amplifier, NAS V8, Genuine\$ 139.95
PLI024 3 Pin Amplifier, NAS V8, ProLine\$ 69.95
RNI010 Adapter, 2 to 3 pin, NAS V8\$ 39.95
RNI012 Clear Plastic Cover, NAS V8\$ 46.95
RNI017 Base Plate With Pick-up Lead\$ 118.95

Ignition Kit

RNK9335 3.9 Litre, Includes distributor cap, rotor arm,
wires, and spark plugs\$ 165.95
RNK9339 4.0 Litre, Includes wires and spark plugs only\$ 127.95

Points set 2.25 litre Petrol

1. Early Lucas points: Condenser and low tension lead ends slide over the round post and are "sandwiched" between the points spring and plastic isolator. A single nut tightens these on the post.
RNE595 Lucas Early.....\$ 4.79
2. Late Lucas (red): combination low tension / condenser lead clips onto the "shepard hook" end of the points spring.
RNE637 Lucas New Type (red).....\$ 4.19
3. Late Lucas (blue): Same as preceding, but blue. Known as sliding points.
RNF232 Newest Type (blue).....\$ 8.49
4. Ducellier: Two-piece points. Low tension lead attached by moving contact. Condenser mounted on outside of distributor.
RNF231 Ducellier Type.....\$ 6.25



24 volt FFR

RNF230 Points Set Military 2.25 litre (not shown)\$26.95

2.6 litre

RNE595 6 Cyl (not shown, same as #1)\$ 4.79

Distributor Wire Set

2.25 litre 4 cyl

RNC524 Distributor Wire Set Series II, IIA.....\$ 16.49
RNC960 Distributor Wire Set Series III\$ 34.59
RNE248 Distributor Wire Set Lucas Speed Leads for 4 cylinder Series II, IIA, III.....\$ 29.95
RNC957 Distributor Wire Set 2.6 Litre6 cylinder\$ 77.95
RNI004 Distributor Wire Set 3.9 LitreV8, Genuine.....\$ 57.95
PLI004 Distributor Wire Set 3.9 LitreV8, ProLine.....\$ 39.50
RNI006 4.0 Litre ...Defender, Genuine\$ 106.95
PLI006 4.0 Litre ...Defender, ProLine.....\$ 52.50

Condenser

2.25 litre

RNE613 Condenser Lucas Early.....\$ 4.75
RNF229 Condenser Lucas (new type)\$ 4.29
RNF228 Condenser Ducellier Type\$ 4.19
RNC606 Condenser Military 24 Volt FFR.....\$ 52.95

2.6 litre

RNE613 Condenser 6 Cylinder.....\$ 4.75

Rotor

2.25 litre

RNE633 Rotor.....Lucas Early\$ 3.49
RNE634 Rotor.....Lucas (new type)\$ 4.29
RNF186 Rotor.....Ducellier type\$ 3.49
RNF233 Rotor.....Military 24 Volt FFR\$ 34.95

2.6 litre

RNF178 Rotor.....6 cyl.....\$ 2.79
RNI002 Rotor.....3.5, 3.9 Litre V8, Genuine\$ 34.99
PLI002 Rotor.....3.5, 3.9 Litre V8, ProLine.....\$ 5.95

Coil

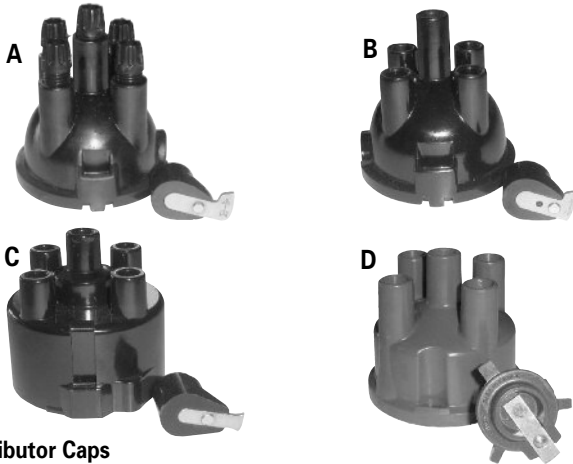
RNE522 Coil2.25, 2.6 litre\$ 34.95
RNE509 Coil3.9 litre Electronic Ignition.....\$ 119.95

Spark Plugs

RNE619 Spark Plug2.25 litre 7:1\$ 3.25
RNE630 Spark Plug2.25 litre 8:1\$ 3.25
RNE631 Spark Plug2.6 litre.....\$ 4.29
RNI003 Spark Plug3.9 & 4.0 litre, Genuine\$ 4.79
PLI003 Spark Plug3.9 & 4.0 litre, ProLine\$ 2.70
PLH374 Spark Plug24 Volt spark plug.....\$ 32.00

Order the correct 4 cylinder distributor tune-up parts

There are four different types of distributors that can be fitted to a 4 cylinder (12 volt) Land Rover and the parts are not interchangeable. Select from the following components to ensure that you receive the correct tune-up parts. When replacing the distributor assembly we offer the Lucas model which is recognized as a better performing distributor than the Ducellier model.



Distributor Caps

2.25 Litre

A. RNC603 Series II, IIA Screw Type.....\$ 15.99
B. RNC437 Series IIA, III Early Push-in\$ 8.49
C. RNE596 New Type Push-in\$ 9.49
D. PLF185 Ducellier Type Cap.....\$ 9.95
RNC767 Military 24 volt FFR (not shown)\$ 99.95

2.6 litre

RNC628 6 Cylinder (not shown)\$ 12.74

3.9 Litre

RNI001 8 Cylinder, Genuine (not shown)\$ 39.95
PLI001 8 Cylinder, ProLine (not shown)\$ 16.95

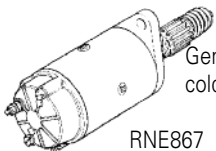
Starting Systems

Starter Switch

RNF184	Push button type, all positive earth models thru 1967 (1968 on see page 80), Genuine.....	\$ 69.95
PLF184	Push button type, all positive earth models thru 1967 (1968 on see page 80), ProLine.....	\$ 32.95
RNC627	Button For Starter Switch.....	\$ 10.49

Solenoid

RNA910	All negative earth Series IIA, III '67 on	\$ 41.59
RNF191	Defender 90, 110 3.9 litre.....	\$ 109.95



When it's time for a new starter, we recommend this Genuine unit from Bosch. Starter is high speed and cold-climate enhanced to help on those chilly mornings.

RNE867	Bosch Starter V-8	\$ 179.95
PLD294	200 & 300 Tdi Starter..Bosch.....	\$ 399.00
RNF197	2.25 Petrol Models, 2.6 only late style	\$ 249.00
Core*	\$ 100.00
RNF198	2.25 Diesel Models.....	\$ 399.95
Core*	\$ 40.00
RNE485	Boot for Cable End.....	\$ 2.34

Starter Parts

Series IIA, 2.25 litre petrol		
PLB585	Brushes.....(2 sets required)	\$ 29.00
RNB533	Bush Commutator End.....	\$ 4.19
RNB552	Bush Pinion End.....	\$ 5.25
RNC710	Main Spring for Pinion	\$ POA
RNB551	Drive Gear and Sleeve for Starter.....	\$ 57.95
Series III, 2.25 litre petrol		
PLC787	Brushes, All.....	\$ POA
RNC647	Bush Kit (Front & Rear).....	\$ 10.49
RNC710	Main Spring Drive for Pinion.....	\$ POA
RNB551	Drive Gear & Sleeve for starter	\$ 57.95
RNF567	Circlip for Pinion End.....	\$ 3.12

Miscellaneous electrical parts

Sender Units

RNC391	Temperature Gauge Electrical.....	\$ 7.80
RNC748	Oil Pressure Warning Light.....	\$ 10.49
	Fuel senders (See fuel section)	

Toggle Switch

RNE805	3 position for lights & heater	\$ 20.19
RNE807	Panel & Interior Light Switch.....	\$ 68.95

Cold Start Sender

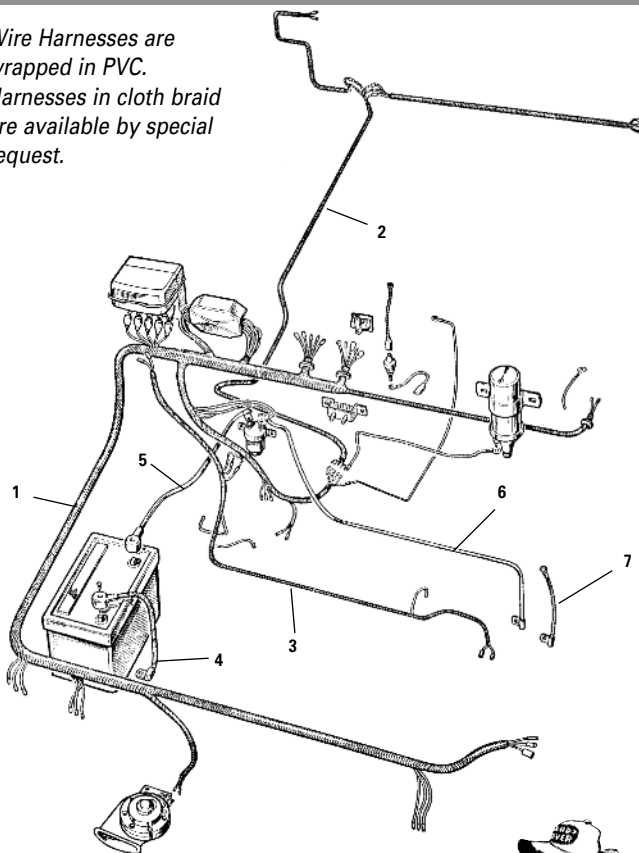
RNF203	Late Series IIA & III.....	\$ 7.99
RNC269	Wire Lead for Headlamp Switch IIA	\$ 20.45
RNC396	Wiring Harness, 2 Speed Wiper Motor	\$ 24.99



Electrical Connectors

RNC319	Bullet End 18 gauge.....ea	\$ 0.59
RNC291	Bullet End 16-14 gauge.....ea	\$ 0.59
RNT0085	Crimping Tool for Bullet Ends...See pg 96.....	\$ 69.95
A. RNB982	Connector 2-way	\$ 0.77
B. RNF212	Connector 4-way	\$ 1.58
C. RNC461	Connector 6-way	\$ 3.15
D. RNB503	Connector for Ground	\$ 0.94

Wire Harnesses are wrapped in PVC.
Harnesses in cloth braid are available by special request.



Attention

Land Rovers were manufactured using positive earth components up to suffix D, 1967 Series IIA. A positive earth Land Rover can be identified by independent wiper motors and amp. gauge in dash cluster.



1. Main Harness Assembly

RNC224	4 cylinder Positive Earth	\$ 259.95
RNC392	4 cylinder Negative Earth Series IIA	\$ 259.95
RNC395	6 cylinder Negative Earth Series IIA	\$ 310.95
RNE489	4 cylinder Series III	\$ 899.95
PLE489	4 cylinder Series III Non-Genuine	\$ 314.95

2. Frame & Rear Crossmember Harness

RNC394	88" Series IIA	\$ 62.49
RNC393	109" Series IIA	\$ 67.95
RNE491	88" Series III	\$ 209.95
RNE492	109" Series III	\$ 180.49

3. Engine Harness

RNC241	Series IIA	\$ 69.00
RNC527	Series III.....	\$ 42.95

4. Cable Battery to Earth

RNF340	Positive Earth Series IIA, Genuine.....	\$ 86.39
PLF340	Positive Earth Series IIA, ProLine	\$ 19.00
RNC354	Negative Earth Series IIA.....	\$ 20.54
RNC658	Negative Earth Series III	\$ 46.65

5. Cable Battery to Solenoid

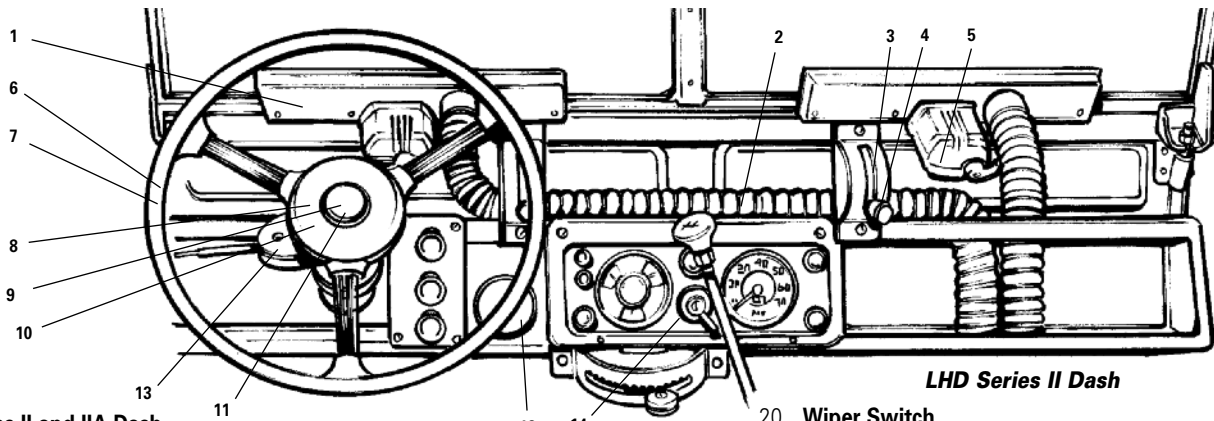
RNC156	Positive Earth Series IIA	\$ 23.95
RNF335	Negative Earth Series IIA.....	\$ 27.49
RNE483	Series III	\$ 25.95

6. Cable Solenoid to Starter

RNC157	4 cylinder Series IIA	\$ 22.95
RNE484	4 cylinder Series III	\$ 17.95

7. Ground Strap for Starter

RNC479	All 4 cylinder	\$ 17.69
--------	----------------------	----------



LHD Series II Dash

Series II and IIA Dash

- PLB905 Interior Mirror Series II, IIA, III (see pg 57).....\$ 15.95
- RNF168 Dimmer switch\$ 24.50
- 1. RNF568 Defroster Pan Metal (requires 1 3/4 hose)\$ 39.95
- 2. Defroster Hose for Land Rover heater systems
(Sold in 6' lengths only for Series II and IIA dash)
- DEF114 Diameter:.....1 1/4"\$ 30.68
- DEF112 Diameter:.....1 1/2"\$ 30.68
- DEF134 Diameter:.....1 3/4"\$ 28.64
- DEF2 Diameter:.....2"\$ 30.69
- DEF4 Diameter:.....4"\$ 14.30
- 3. RNB347 Vent Control Assembly\$ POA
- 4. RNB324 Knob for Vent Control\$ 15.19
- 5. RNE649 Independent Wiper Motor\$ 325.00
- 6. RNC193 Steering Wheel - Wire Spoke\$ 699.95
- 7. RNS113 Steering Wheel - Plastic Spoke\$ 72.95
- 8. RNC194 Dust Cover for Horn Contact
Series IIA thru 66.....\$ POA
- 9. RNF570 Horn Button for Wire Spoked Wheel.....\$ POA
- 10. RNC368 Dust Cover for Horn Contact.....\$ POA
- 11. RNC755 Horn Button Negative Earth.....\$ POA
- 12. RNA705 Oil Pressure Gauge Electric.....\$ POA
- RNA706 Sender Unit for Oil Pressure Gauge\$ 101.19
- 13. RNC749 Directional Wand Series IIA (new is NLA)\$ POA
- 14. RNC747 Ignition Switch Series II, IIA thru 1966.....\$ 114.95
- RNC292 Light Knob for Switch\$ 14.59
- RNE832 Tumbler Barrel with Key\$ 14.19
- RNE840 Key Blank for Ignition.....\$ 3.02

Series IIA, III, Negative Earth

- 15. RNE842 Black Socket for 12 volt accessory.....\$ 7.18
- 16. RNE843 Red Socket for 12 volt accessory\$ 9.99
- RNE850 Accessory Plug to fit dash sockets.....\$ 31.95
- 17. RNE856 Water Temperature Gauge\$ 172.50
- 18. RNE841 Fuel Level Gauge\$ 169.95
- 19. RNF592 Wiper Label, Series IIA\$ POA

20. Wiper Switch

- RNC377 Series IIA Single Speed\$ 44.59
- RNE809 Series IIA, III 2 speed with washer\$ 98.95
- 21. RNE805 Headlamp Switch, Series IIA, III\$ 20.19
- 22. RNC389 Side/Head Label, Series IIA\$ POA
- 23. RNE807 Interior Lamp Switch, Series IIA, III.....\$ 68.95
- 24. RNF571 Panel/Interior Label, Series IIA.....\$ 0.51
- 25. RNC134 Washer for dash screw, Series IIA\$ 0.99
- 26. RNC685 Dash Screw, Series IIA\$ 0.47

27. Choke Cable Assembly

- RNF312 Series IIA.....\$ 25.49
- RNE844 Series III.....\$ 22.95
- RNF203 Sender for cold start light
(fastens to choke cable).....\$ 7.99
- 28. RNC390 Cold start Label, Series IIA\$ POA

29. MPH Speedometer with trip odometer

- Ser III will replace Series IIA, requires Ser III cable assembly.
- RNT007 88 models with 15" wheels and tires\$ 245.49
 - RNF190 109 & 88 models with 750 x 16" tires\$ POA
 - RNT018 Trip Reset Cable for Series IIA, III.....\$ 14.95
 - RNA984 Retaining Plate for attaching cable to gearbox.\$ 6.59
 - RNH049 Screw for retaining plate.....\$ 0.57

30. Key Blank for ignition switch

- RNE840 Series II, IIA, III Petrol\$ 3.02

31. Tumbler Barrel with key

- RNE832 Series II, IIA, III Petrol\$ 14.19
- RNE828 Series IIA, III Diesel\$ 13.45

32. Ignition Switch Series IIA, III

- RNC747 Series II, IIA Positive Earth Petrol thru 1966...\$ 114.95
- RNC292 Light Knob for Positive Earth Switch\$ 14.59
- RNE831 Series IIA, III Negative Earth (as shown)
Petrol 1967 on\$ 49.95

- RNE827 Series IIA, III Diesel\$ 63.49
- RNE487 All Models.....\$ 152.95
- RNH506 IIA Military starter switch.....\$ 69.00

33. Charge Lamp Assembly

- RNE864 Series IIA, III Negative Earth.....\$ 13.00
- RNH507 Military\$ 299.00

34. Heater Switch, 2 Speed

- RNE805 Series IIA, III\$ 20.19

35. Heater Label

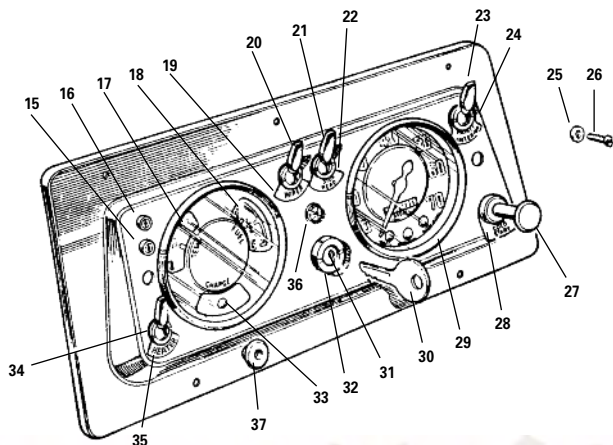
- RNF586 Series IIA.....\$ 6.50

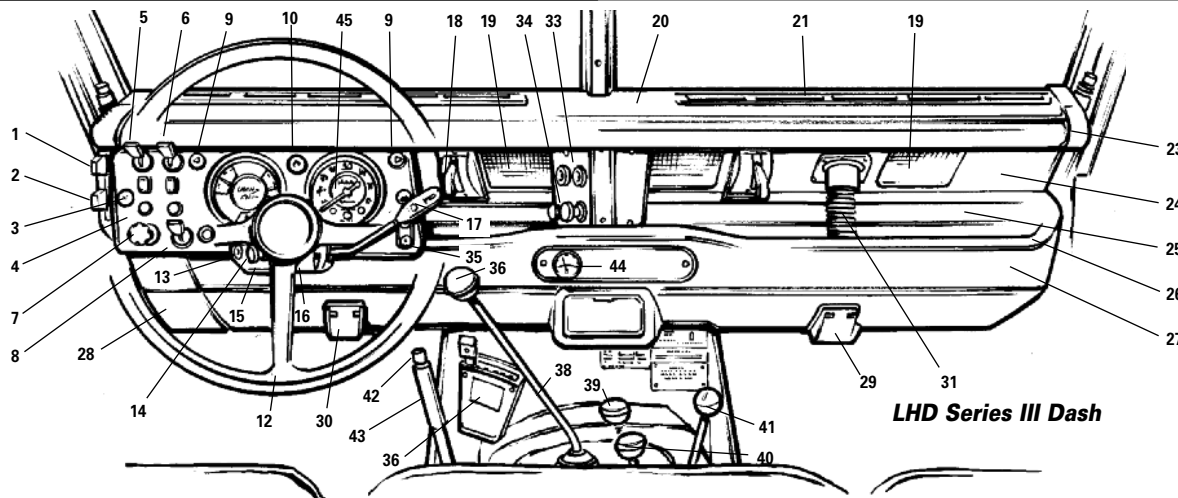
- 36. RNH513 Low Fuel Warning Lamp Diesel.....\$ POA

37. Plastic Plug for extra switch holes

- RNC8715/8\$ 1.69
- RNB8743/8\$ 0.69
- RNC912 Voltage Stabilizer, Ser IIA (shown on page 81).\$ 30.95
- RNE614 Speedometer Cable Assembly (shown on page 81)
Series II, IIA\$ 25.48

ELECTRICS





LHD Series III Dash

Series III Dash

1. RNB371	Finger Control Defrost/Car	\$ POA	29. RNH046	Air Louver	RH	\$ 2.29
2. RNC106	Finger Control Cold/Hot	\$ 5.59	30. RNH047	Air Louver	LH	\$ 1.69
(Heater Control parts see page 23)						
3. RNH042	Fixing Screw	\$ 1.00	31. RNH053	Defroster Hose, Genuine		\$ 4.75
4. RNH038	Washer for Fixing Screw	\$ 0.45	PLH052	Defroster Hose, ProLine		\$ 4.75
4. RNB932	Gauge Panel Black Plastic	\$ 58.95	RNH044	Rubber Fixing Grommet-Defender Hose btm.....		\$ 4.84
RNI035	Three Sided Backing for Gauge Panel	\$ 41.69	32. RNH048	Nozzle for Defroster Hose		\$ 3.75
RNI050	Metal base for Gauge Panel	\$ 13.25	33. RNB875	Plastic Plug		\$ 0.52
5. RNE805	Toggle Switch Head / Side Lamps	\$ 20.19	34. RNE824	Hazard Flashers Switch		\$ 92.95
6. RNE807	Toggle Switch Panel / Interior	\$ 68.95	RNE629	Bulb for Hazard Switch		\$ 2.45
7. RNE809	Switch Wiper/Washer	\$ 98.95	35. RNE842	Black Socket for 12v Accessory.....		\$ 7.18
8. RNE805	Switch Heater	\$ 20.19	RNE843	Red Socket for 12v Accessory.....		\$ 9.99
9. RNE838	Indicator lamp, directionals	\$ 2.69	RNE850	Accessory Plug to fit Dash Sockets.....		\$ 31.95
RNE629	Bulb for Indicator Lamp.....	\$ 2.45	36. RNF572	Hand Throttle Control Kit		\$ 179.95
10. RNB268	Plastic Plug	\$ 0.54	37. RNT021	Knob for Main Lever		\$ 5.95
RNE823	Low Fuel Warning Lamp	\$ 10.95	RNT022	Shim for Knob		\$ POA
11. RNI036	Cover	\$ 26.95	38. RNT014	Main Lever 2.25		\$ 93.95
12. RNS113	Steering Wheel	\$ 72.95	(for Complete Listing see page 29.)			
(for Mounting Hardware see page 30)						
13. RNE831	Petrol Ignition Switch	\$ 49.95	39. RNT013	Yellow Knob.....		\$ 5.49
RNE832	Tumbler Barrel with Key	\$ 14.19	40. RNA956	Red Knob		\$ 5.99
RNE840	Key Blank	\$ 3.02	41. RNT023	Overdrive Knob		\$ 24.95
RNE827	Diesel Ignition Switch	\$ 63.49	42. RNB304	Button Hand Brake Lever.....		\$ 13.49
RNE828	Tumbler Barrel with Key-Diesel Only	\$ 13.45	RNB305	Spring for under Button		\$ 2.08
RNE840	Key Blank	\$ 3.02	43. RNB323	Hand Brake Lever Assembly.....		\$ POA
14. RNE844	Choke Cable Assembly	\$ 22.95	44. RNA705	Oil Pressure Gauge		\$ POA
15. RNI045	Plastic Column Fascia,.....Top	\$ 16.29	RNA706	Sender Unit for Oil Pressure Gauge		\$ 101.19
RNI046Bottom	\$ 19.38	45. MPH Speedometer with Trip Odometer			
16. RNE830	Fuse Box Assembly with Cover	\$ 74.95	(Ser III will replace Series IIA, requires Ser III Cable Assembly)			
RNE833	Cover for Fuse Box	\$ 10.95	RNT007	88" Models with 15" Wheels and Tyres		\$ 245.49
17. RNE845	Wand - Directional, Dimmer and Horn	\$ 83.49	RNF190	109" & 88" Models w/ 750x16" Tyres.....		\$ POA
18. RNI037	Vent Lever Assembly	\$ 35.95	46. RNT008	Speedometer Cable Assembly Series III		\$ 39.95
19. RNI049	Fly Screen	\$ 119.95	RNH049	Screws for Fixing Cable to Gearbox (3 req'd).....		\$ 0.57
20. RNI054	Dash Top.....1976 on.....	\$ 356.95	RNT018	Trip Reset Cable for Series IIA, III.....		\$ 14.95
21. RNI044	Defroster Vent	\$ 12.69	47. RNE826	Voltage Stabilizer, Series III		\$ 23.50
RNI0561976 on.....	\$ 4.49	48. RNE856	Water Temperature Gauge.....		\$ 172.50
22. RNI063	Dash End Cover.....LH	\$ 5.10	49. RNE841	Fuel Level Gauge		\$ 169.95
23. RNI064	Dash End Cover.....RH	\$ 9.59	50. RNE629	Bulb, Push In		\$ 2.45
24. RNI073	Metal Fascia with Vent Openings	\$ 119.95	51. RNE864	Charge Lamp Assembly		\$ 13.00
25. RNI057	Plastic Parcel Tray	\$ 24.99	52. RNE847	Bulb, Screw In.....		\$ 1.75
26. RNI068	Trim Strop for Dash Edge.....	\$ 37.95				
27. RNI058	Lower Dash Assembly	\$ 738.95				
28. RNI059	Dash Cover for Wiper Motor.....	\$ 124.95				

Speedometer Labels for Dash Shown Below, each\$ 2.39



RNB925



RNB924



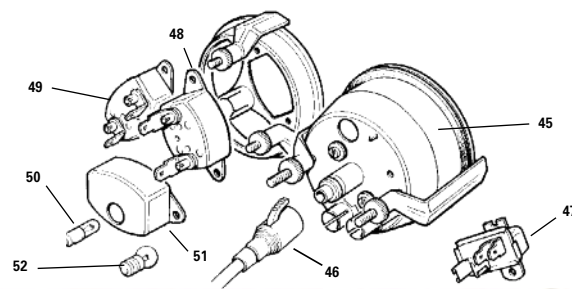
RNB922-NLA

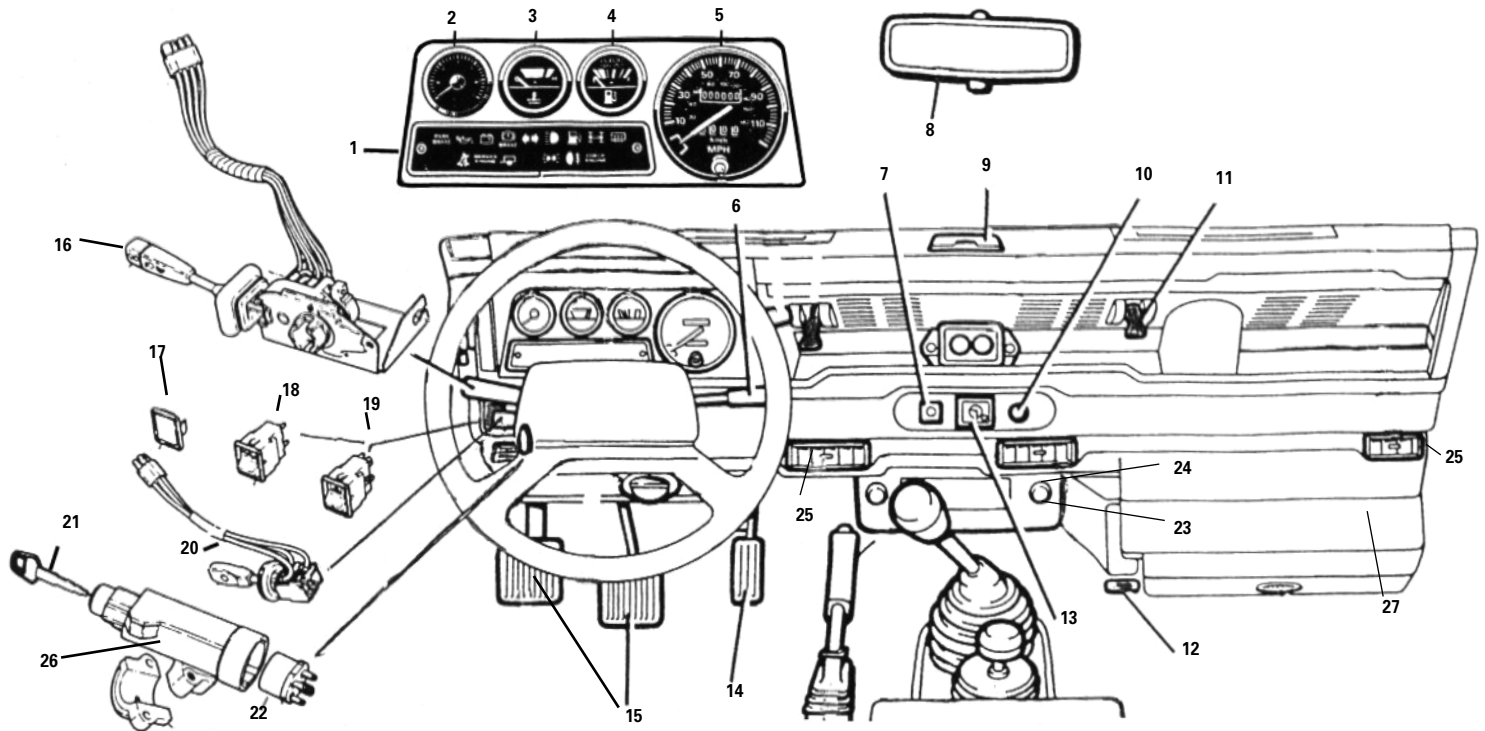


RNB926



RNB923



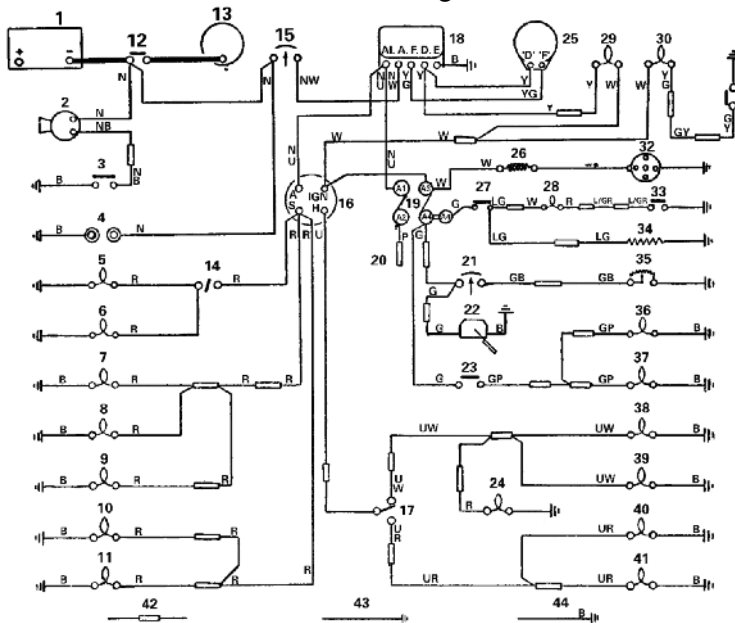


1994 NAS Defender 90 Illustrated

1993-1997 NAS Defender Dash

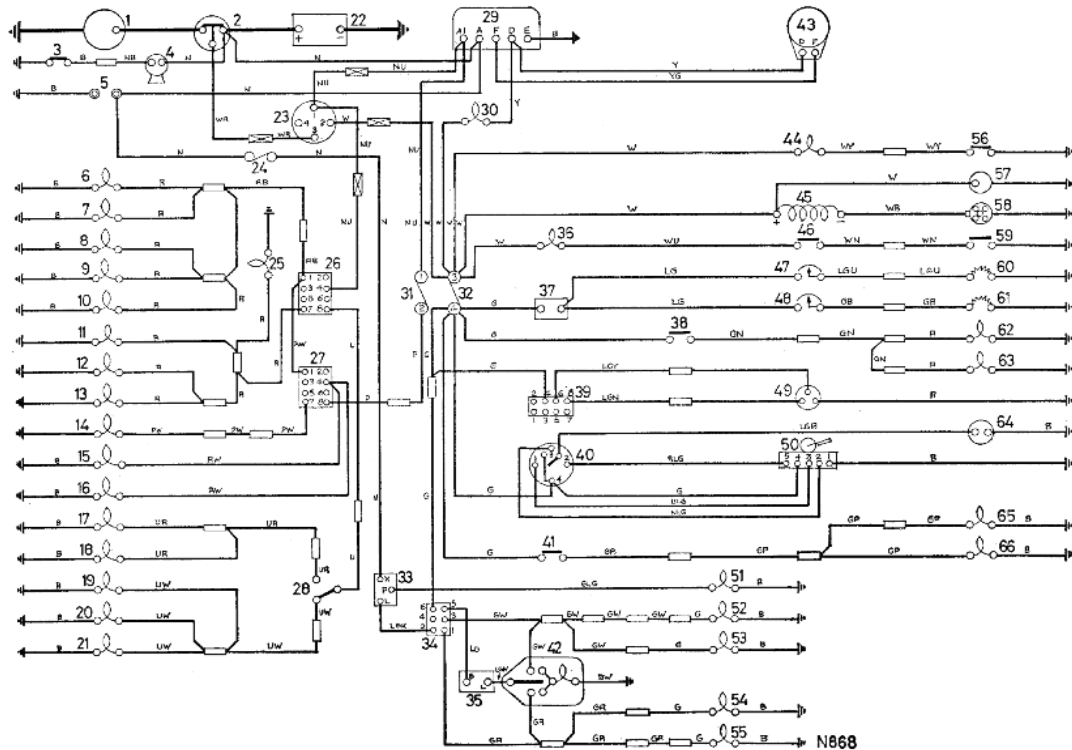
1.	RNC853	Warning light module 90, 110	\$137.95	
	RNE673	Bulbs for module 90,110	\$2.50	
2.	RNC846	Tachometer 90, 110 Manual Trans	\$125.00	
3.	RNC856	Water temp gauge 110.....	\$184.95	
	RNC856	Water temp gauge 90 Manual Trans	\$184.95	
	RNC863	Water temp gauge Automatic	\$89.95	
4.	RNC847	Fuel gauge 110	\$89.95	
	RNE513	Fuel gauge 90, Manual Trans.....	\$189.95	
	RNC864	Fuel gauge Automatic.....	\$86.28	
5.	RNE515	Speedometer 90, 110 Manual Trans.....	\$329.95	
	RNC862	90 Automatic	\$399.95	
	RNC859	Bulb for gauges and speedometer	\$1.75	
	RNE521	Cable speedometer to transducer	\$91.95	
	RNE521	90 Manual, 110.....	\$91.95	
	RNC860	Transducer 90, 110 Manual Trans.....	\$84.95	
	RNE516	Cable transducer to gearbox.....	\$29.95	
6.	RNE514	Wiper/washer wand 90	110 Manual\$124.95	
	RNC865	Wiper/washer wand 90	90 Automatic..\$279.70	
7.	RNC809	Hazard flasher switch	\$18.98	
	RNF391	Bulb for switch.....	\$1.99	
8.	RNC932	Interior mirror 110.....	\$308.95	
	RNE380	Interior mirror 90	\$38.59	
	RNE381	Mounting slug for windscreen.....	\$3.47	
9.	RNC953	Ashtray for 90, 110	\$45.16	
	RNE354	Retainer	\$5.19	
10.	RNF450	Cigar lighter.....	\$22.13	
11.	RNI037	Vent Handle Assembly.....	\$35.95	
12.	RNC843	Bonnet release cable 90, 110 all models.....	\$14.74	
13.	RNE504	Clock assembly.....	\$ POA	
	RNE503	Bezel for clock	\$5.20	
	RNE629	Bulb for clock.....	\$2.45	
14.	RNA904	Pedal pad accelerator.....	\$4.49	
15.	RNC655	Pedal pad clutch and brake manual	\$8.84	
	RNC881	Brake Automatic	\$6.99	
16.	RNF346	Directional wand 110.....	\$157.95	
	RNE499	90 Manual Trans.....	\$119.88	
	RNF441	90 Automatic.....	\$259.95	
17.	RNC781	Blanking cover.....	\$5.69	
18.	RNF448	Dash lights switch	\$79.85	
19.	RNC938	Switch for auxiliary driving lights	\$26.95	
20.	RNE497	Light switch 90, 110 Manual Trans.....	\$55.49	
	RND280	90 Automatic.....	\$104.95	
21.	RNC789	Key blank for ignition	\$4.39	
22.	RNE518	Ignition switch.....	\$44.95	
23.	Fuse Box Cover			
	RNC904	90 Automatic Trans with Air	\$115.00	
	RNF446	90 5 Spd. Manual Trans	\$28.60	
	RNF446	110	\$28.60	
	RNC924	Warning Label for Diff Lock.....	\$9.75	
	Fuses see page 77			
24.	RNE351	Thumb Screw for Fuse Box.....	\$6.29	
25.	RNE241	Air Vents for 90		
		'94 Diavia System	4 fin	\$ POA
	RNE240	'94 Diavia System	5 fin	\$ POA
	RNE243	'95 Wynn's System Outer Vents		\$14.56
	RNE244	Inner Vents.....		\$ POA
	RNE242	Round Vent		\$3.81
	RNB293	'97 Wynn's System.....		\$21.95
26.	Steering Column Lock			
	RND157	90 Manual	\$229.95	
	RND283	90 Automatic	\$295.95	
27.	Rovers North Air Conditioning Kits			
	Complete kit includes compressor, lines, all engine components and interior facia assembly. For more information see page 99.			
	RNAC39	Defender 90 NAS V8, 3.9 litre	\$2950.00	
	RNAC40	Defender 90 NAS V8, 4.0 litre	\$2995.00	

Circuit diagram, 2.25 litre Petrol models, Series IIA, Positive earth



1. Battery, 12 volt
2. Horn
3. Horn push button
4. Inspection light sockets
5. Panel illumination
6. Panel illumination
7. Tail light
8. Number plate illumination
9. Tail light
10. Side light
11. Side light
12. Starter switch
13. Starter
14. Panel light switch
15. Ammeter
16. Ignition and lighting switch
17. Headlight dip switch
18. Voltage control box
19. Fuse Box
20. To interior lights
21. Fuel gauge
22. Screen wiper, plug and socket
23. Stop light switch
24. Main beam warning light
25. Dynamo
26. Ignition coil
27. Mixture switch
28. Mixture warning light
29. Charging warning light
30. Oil pressure warning light
31. Oil pressure switch
32. Distributor
33. Mixture thermostat switch
34. Carburettor heater element, optional equipment
35. Gauge, fuel tank
36. Stop light
37. Stop light
38. Headlight, main
39. Headlight, main
40. Headlight, dip
41. Headlight, dip
42. Snap connectors
43. Earth connections via terminals and fixing bolts
44. Earth connections via cables

Circuit diagram, 2.25 litre Petrol Models, Series IIA, Negative earth, to US Federal Standards



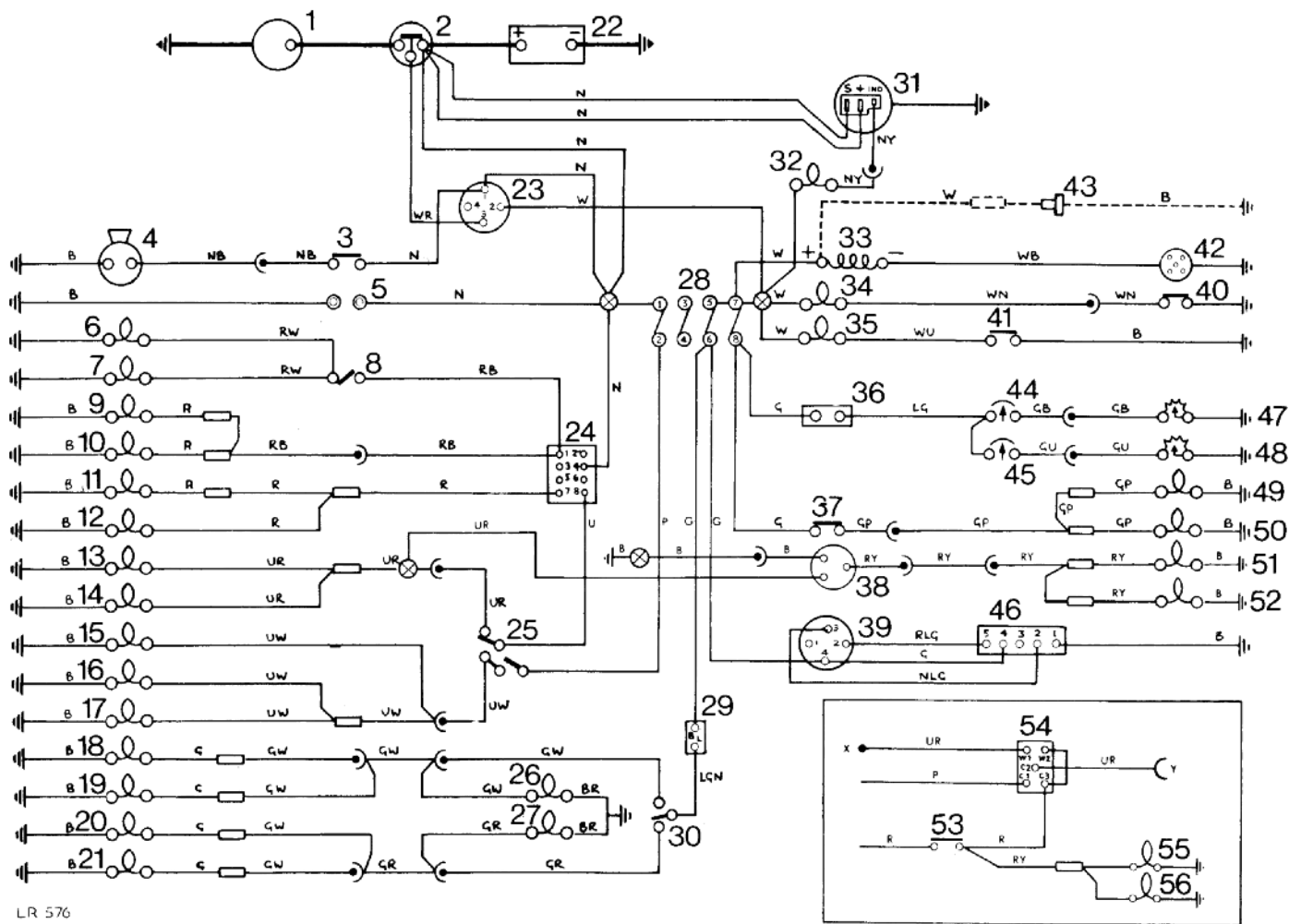
1. Starter motor
2. Solenoid, starter motor
3. Horn push button
4. Horn
5. Inspection sockets
6. Tail lamp, RH
7. Side marker, rear, RH
8. Side marker, rear, LH
9. Tail lamp, LH
10. Number plate illumination
11. Side lamp, RH
12. Side marker, front, LH
13. Side lamp, LH
14. Interior lamp
15. Panel light, instruments
16. Panel light, speedometer
17. Headlamp, RH, dipped beam
18. Headlamp, LH, dipped beam
19. Warning light, headlamp main beam
20. Headlamp, LH, main beam
21. Headlamp, RH, main beam
22. Battery, 12 volt
23. Switch, ignition and starter
24. In-line fuse, 25 amp
25. Side marker, front, RH
26. Switch, lights
27. Switch, panel light
28. Switch, headlamp dip
29. Regulator box
30. Warning light, ignition
31. Fuse, A1-A2 (35 amp)
32. Fuse, A3-A4 (35 amp)
33. Hazard warning flasher unit
34. Hazard warning light switch
35. Indicator unit, flashers
36. Warning light, choke
37. Voltage stabilizer, fuel gauge and temperature gauge
38. Switch, reverse light
39. Switch, heater motor
40. Switch, wiper
41. Switch, stop lamp
42. Switch and warning light for flashers
43. Dynamo
44. Warning light, oil pressure
45. Ignition coil
46. Voltage stabilizer, fuel gauge and temperature gauge
47. Temperature gauge
48. Fuel gauge
49. Heater motor, two-speed
50. Wiper motor
51. Hazard warning light
52. Rear flasher, LH
53. Front flasher, LH
54. Front flasher, RH
55. Rear flasher, RH
56. Switch, cold start on control
57. Solenoid-operated fuel cut-off valve
58. Distributor
59. Switch, cold start in cylinder head
60. Temperature transmitter unit
61. Fuel tank unit
62. Reverse light, LH
63. Reverse light, RH
64. Motor, windscreen washer
65. Stop-lamp, LH
66. Stop-lamp, RH

Cable colour code

B-Black G-Green N-Brown P-Purple R-Red U-Blue W-White Y-Yellow RN-Red with Brown and so on.

When cables have two-colour code letters, the first denotes the main and the latter the tracer. On vehicles to the North American specification, the connections at the lighting switch are such that the sidelamps are extinguished when the headlamps are in use.

- Snap connectors or plugs and sockets
- B-||| Earth connections via fixing bolts
- ||| Earth connections via cables
- Clinch connection



LR 576

Circuit diagram, 2.25 and 2.6 litre Petrol Models, Series III, Negative earth

- | | | |
|--|--|--|
| 1. Starter motor | 21. Direction indicator lamp, rear LH | 39. Switch, windscreen wiper |
| 2. Solenoid, starter motor | 22. Battery | 40. Switch, oil pressure |
| 3. Switch for horns | 23. Switch, ignition and starter | 41. Switch, choke |
| 4. Horns | 24. Switch, lights | 42. Distributor |
| 5. Inspection sockets | 25. Switch, headlamp flash and dip | 43. Fuel pump (6-cylinder models only) |
| 6. Instrument panel illumination | 26. Warning light, indicator RH | 44. Fuel gauge |
| 7. Instrument panel illumination | 27. Warning light, indicator LH | 45. Water temperature gauge |
| 8. Switch, panel lights | 28. Fuses, 1 to 8, 35 amp | 46. Screenwiper motor |
| 9. Tail lamp, LH | 29. Indicator unit, flasher | 47. Fuel tank unit |
| 10. Tail lamp, RH | 30. Switch, direction indicators | 48. Water temperature transmitter |
| 11. Side lamp, LH | 31. Alternator, Lucas 16 ACR | 49. Stop lamp, LH |
| 12. Side lamp, RH | 32. Warning light, ignition | 50. Stop lamp, RH |
| 13. Headlamp, LH dipped beam | 33. Ignition coil | 51. Rear fog lamp, RH |
| 14. Headlamp, RH dipped beam | 34. Warning light, oil pressure | 52. Rear fog lamp, LH |
| 15. Warning light, headlamp main beam | 35. Warning light, choke | 53. Front fog lamp switch |
| 16. Headlamp, LH, main beam | 36. Voltage stabilizer, fuel gauge and temperature gauge | 54. Fog lamp change over relay |
| 17. Headlamp, RH, main beam | 37. Switch, stop lamp | 55. Front fog lamp, LH |
| 18. Direction indicator lamp, rear RH | 38. Rear fog lamp switch and warning light | 56. Front fog lamp, RH |
| 19. Direction indicator lamp, front RH | | |
| 20. Direction indicator lamp, front LH | | |

Cable colour code

B-Black P-Purple W-White R-Red N-Brown Y-Yellow U-Blue G-Green L-Light
The last letter of a colour code denotes the tracer colour.

- Snap connectors or plugs and sockets
- Earth connections via fixing bolts
- Earth connections via cables
- Clinch connection



"Defender XD Wolf"
Pocket Design



Defender XD "Wolf" T-Shirt

Specify S, M, L, XL, XXL. Also available in Kids size M, L.
TS33.....\$ 18.95



got mud?
rear design



got mud? T-Shirt

Specify S, M, L, XL, XXL. Also available in Kids size S, M, L.
TS30.....\$ 18.95



Exclusive Rovers North Fleece

Our deluxe heavyweight fleece is designed to keep you warm and comfy all year long! Polartec 300 fleece retains maximum body warmth wet or dry. Our vest is good-looking enough to wear for any occasion. Handmade in Vermont with superior quality and attention to detail. Three large zipper pockets outside and one inside. Sizes S-XXL.



Fleece Vests

- RNFV05 Red Vest (specify size).....\$ 69.00
- RNFV02 Green Vest (specify size).....\$ 69.00
- RNFV03 Black Vest (specify size).....\$ 69.00

Fleece Jackets

- RNFJ05 Red Jacket (specify size).....\$ 94.95
- RNFJ02 Green Jacket (specify size).....\$ 94.95
- RNFJ03 Black Jacket (specify size).....\$ 94.95



"Most Capable"
Pocket Design

Defender Most Capable T-Shirt

Specify S, M, L, XL, XXL. Also available in Kids size M, L.
TS32.....\$ 18.95



"No Road" Pocket Design

No Road 101 Forward Control T-Shirt

Specify S, M, L, XL, XXL.
TS23.....\$ 16.50



Series on Safari Kids T-Shirt

TS27KM Kids T-Shirt. "The Best 4x4Far" Series IIA Elephant Safari. Light grey shirt, black art. Available in Kids size 10-12 only.....\$ 14.50

Range Rover Classic Kids T-Shirt

TS28KM "The Best 4x4Far" Range Rover Classic Expedition. Light blue shirt, black art. Available in Kids size 10-12 only.....\$ 14.50

Land Rover Hats

Arrive In Style!

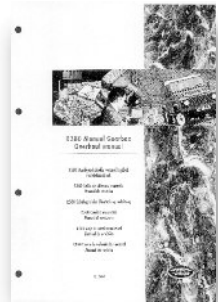
Rovers North waxed cotton hats feature Rallye Plate Logo on the front and the Land Rover Genuine Parts Support logo on the back. Awesome quality, perfect for wet weather, adjustable to fit all sizes. Holds up well to oil and grease when working under your Land Rover.



- A. RNH04G Rovers North Green Waxed Cotton.....\$ 18.25
- B. RNH04K Rovers North Khaki Waxed Cotton.....\$ 18.25
- C. RNA696 Land Rover Hat Green Twill Cotton.....\$ 17.95

ACCESSORIES





Factory Workshop Manuals

The Land Rover factory manuals and parts catalogs are the foremost reference for product information. The workshop manuals provide the do-it-yourselfer with all of the specifications needed to get the job done right. Whether you're new to Land Rovers or have been working on them for years, these books will become a valuable addition to your library.

Owner Instruction Manuals

RNE250	Series IIA, all models.....	\$ 31.25
RNC638	Series III, 1972-81.....	\$ 30.99
RNE249	Defender 90, 110 1983-87.....	\$ 52.95
RNF286	Defender 90, 110 1988-93 (Except USA).....	\$ POA

Factory Workshop Manuals

RNC143	Series I, 1948-58.....	\$ 60.95
RNC818	Series II, IIA, 1959-71.....	\$ 92.50
RNC816	Series III, 1972-85.....	\$ 53.95
RNC817	Series III V8, 1979-83.....	\$ 19.95
RVM905	Defender 1993-1995.....	\$ 89.00
RVM907	Defender 90 1997 only.....	\$ 168.95

Factory Parts Catalogs

Experience the complete range of parts available through Rovers North.

RNF256	Series IIA.....	\$ 49.50
RNF257	Series III.....	\$ 49.00
RNF258	Optional Equipment for Series IIA, III.....	\$ 39.00

Engine Overhaul Manuals

RVM592	3.5 / 3.9 / 4.2 Litre V8, '87-1995.....	\$ 29.95
RVM806	4.0 / 4.6 Litre V8, '95-2002.....	\$ 28.49
RVM300	300 Tdi, '95-2002.....	\$ 58.64

Gearbox Overhaul Manuals

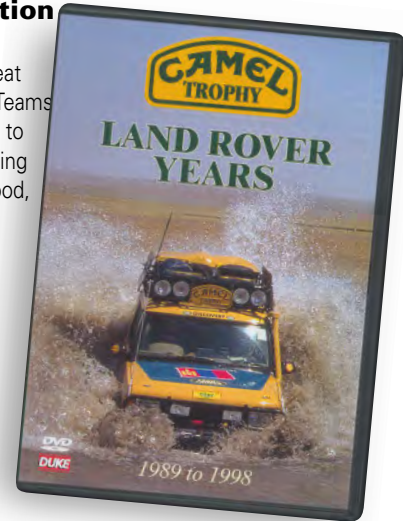
RWM775	LT77S 5-Speed Manual, '93-1994.....	\$ 28.19
RWM380	R380 5-Speed Manual, '95-2002.....	\$ 28.49
RWM230	LT230T Transfer Box, '93-1998.....	\$ 28.19
RWM330	LT230Q Transfer Box, '93-1998.....	\$ 28.19

DVD's

Camel Trophy Compilation DVD - 1989 to 1998

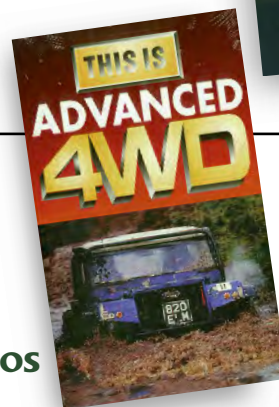
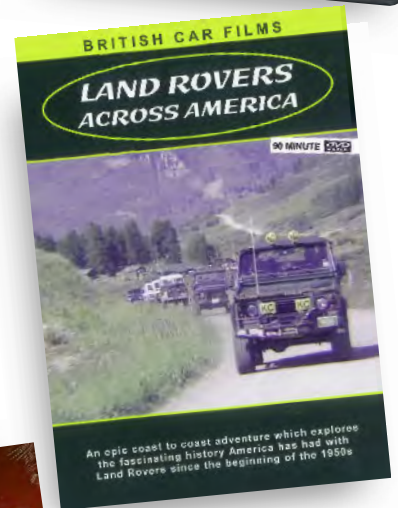
Land Rover Years is a decade of great adventure and skillful 4WD action. Teams from around the world were invited to embark on remarkable and challenging 4x4 adventures. Celebrate the "blood, sweat, tears and smiles of a truly heroic era."

DVD2.....\$ 29.95



Land Rovers Across USA DVD

DVD only DVD1.....\$ 27.85



Videos

Advanced 4WD
VIDEO6...\$ 19.95



Best of British
VIDEO1...\$ 24.95



This is 4WD
VIDEO5...\$ 24.95



CAMEL94
\$ POA



CAMEL95
\$ 25.95



CAMEL96
\$ 25.95



CAMEL97
\$ 29.95



CAMEL98
\$ 27.95

Camel Trophy Videos

ACCESSORIES



Central Colorado 4-Wheeling - The Guidebook

Descriptions and maps of 24 spectacular 4-wheel drive routes in the mountains near Aspen, Leadville, Vail, and Crested Butte, Colorado. BOOK55.....\$ 13.49



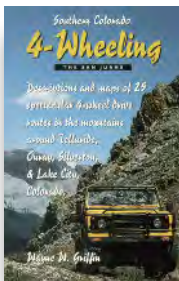
Haynes Restoration Manual Land Rover 90, 110 & Defender

Lindsay Porter
With the aid of more than 700 illustrations and text for the DIY enthusiast, this book tells you; what to look for, how to maintain, remove, refit, strip down and restore your Defender. BOOK57.....\$ 30.95



Haynes Restoration Manual Land Rover Series I, II & III

Lindsay Porter
This book covers every angle of restoration from bodywork to improving performance and fuel economy. Over 1,000 illustrations and text aimed at the DIY enthusiast. BOOK24.....\$ 29.50



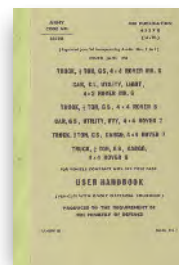
Southern Colorado 4-Wheeling in the San Juans

Awesome trail guide to every off road spot known in the area. Features the Author's own Defender 90. BOOK53.....\$ 13.49



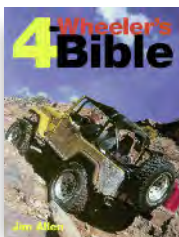
Land Rover Simply The Best

Martin Hodder
Here is a fascinating inside story of the development of the marque, its domination of the off-road and leisure scene, Land Rover's important military role, and the huge enthusiast's following. 160 Pages - colour. BOOK58.....\$ 29.95



Official issue to Land Rover, ex-MoD 109 Military User Handbook

The vintage factory line drawings are unbelievable! A jewel of a book even if you don't own a military 109. BOOK46.....\$ 20.49



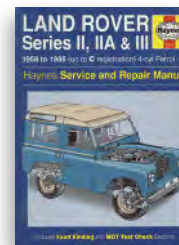
4-Wheeler's Bible

Jim Allen
A great book with all the details. Features many Land Rovers in off-roading situations. A must buy for true off-roading enthusiasts. BOOK59.....\$ 29.95



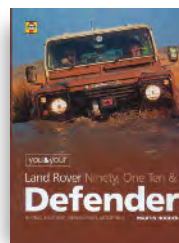
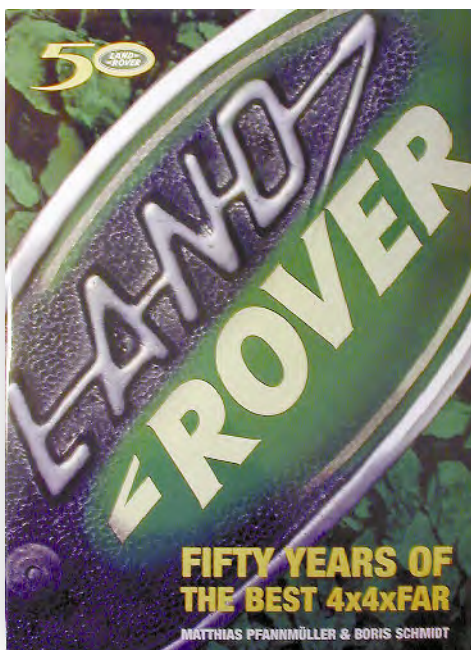
GPS Navigation Guide

Jack W. Peters
Your complete resource to outback navigation. Using GPS with Map, Compass, Computer & Radio Tracking. Topo Companion™ map ruler included. 191 Pages - colour. BOOK56.....\$ 17.95



Land Rover Series II, IIA & III Service and Repair Manual

Haynes
Service and Repair manual for 1958 to 1985 4-cyl Petrol Series II, IIA & III Land Rovers. Includes fault finding. HAYNP.....\$ 33.29



You and Your Land Rover Defender

Martin Hodder
A wonderfully written, tastefully designed new book showcases the history, prototypes and models leading up to the Defender. 160 pages, hardbound - colour. BOOK49.....\$ 39.95

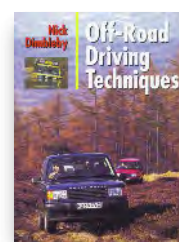
Fifty Years of the Best 4x4xFar

Back in print by popular demand! Anyone who thinks they know the story of the Land Rover will enjoy reading the details that this book brings to light. Includes tons of photos of very early vehicles. 160 Pages - colour. BOOK47.....\$ 19.95



The Land Rover Story Part 1 1948-1971

James Taylor
An impressive collection of articles written with the full cooperation and approval of Land Rover Ltd. that detail the history of Land Rovers. 117 Pages - Black and White. BOOK35.....\$ 19.95



Off-Road Driving Techniques

Nick Dimbleby
This book tells you all about the vehicles, equipment and techniques you need to safely and responsibly drive off-road. 158 pages - Black and White. BOOK51.....\$ 29.50

ACCESSORIES

Improve your ride with our Balanced Parabolic Spring and Shock Kits For Series II, IIA, III



After years of testing, research and selling four different types of parabolic springs from around the world, we've determined these to be the best available. Improve your ride, improve your comfort, and get additional axle articulation out of your Series Land Rover. Includes four springs with u-bolts and hardware. For best results, we've included a set of our OME Nitrocharger shocks (as shown) or Pro Comp shocks.

Balanced Parabolic Spring Kits with Old Man Emu Shocks

- RNK112388 2 leaf front & 3 leaf rears, 4 OME shocks for 88"\$ 879.95
- RNK1123109 2 leaf front & 3 leaf rears, 4 OME shocks, for 109"\$ 879.95
- RNK1124109 2 leaf front & 4 leaf rears, 4 OME shocks,
HD set for 109"\$ 999.95

Balanced Parabolic Spring Kits with Pro Comp Shocks

- RNK112388PC 2 leaf front & 3 leaf rears, 4 PC shocks for 88"\$ 699.95
- RNK1123109PC 2 leaf front & 3 leaf rears, 4 PC shocks, for 109"\$ 699.95
- RNK1124109PC 2 leaf front & 4 leaf rears, 4 PC shocks,
HD set for 109"\$ 779.95

Balanced Parabolic Spring Kits w/o Shocks

- RNK1123 2 leaf front & 3 leaf rears for 88" and 109"\$ 549.00
- RNK1124 2 leaf front & 4 leaf rears, HD set for 109"\$ 695.00

Polyurethane Suspension Bush Kit

An easy to install, economical alternative to Genuine Bushings. Superior quality formulated for medium firmness to provide the best mix of handling and comfort for Land Rovers used both on and off-road. Kit includes all suspension and shock bushings for your vehicle.



- PBS1115 Defender 90 / 110 Polyurethane
Bush Kit (shown)\$ 199.00
- PBS1111LWB Series III LWB Polyurethane Shock and Spring Bush Kit.\$ 129.00
- PBS1111SWB Series III SWB Polyurethane
Shock & Spring Bush Kit.....\$ 129.00

Race inspired per- for- mance shock



absorbers that offer longer shock travel for your Land Rover.

Pro Comp ES 9000 Shocks for Defender. Nitrogen gas charged shocks with two inches of extra travel. Designed for off-road performance for vehicles with raised suspension of two inches or less. Excellent all round ride quality and handling. Shock sets include bushings and optional poly vinyl dust boots in black.

- PCS9020 Defender 1983-1998 front and rear shock set\$ 169.99

Pro Comp ES 3000 for Series II, IIA, III, 88 and 109 Land Rovers with standard or parabolic springs offers an extra inch of shock travel. These performance shocks incorporate a twin tube cellular gas design that prevents foaming and reduces shock fade to improve the ride quality of leaf spring suspension. Shock sets include bushings and optional poly vinyl dust boots in black.

- PCS3088 Series 88 Front and Rear Shock Set.....\$ 169.99
- PCS3109 Series 109 Front and Rear Shock Set.....\$ 169.99
- PLS122 Steering Damper\$ 39.95

Bilstein Medium Heavy Duty Shock Absorbers

Hands down, one of the most satisfying improvements you can make to your Defender. We guarantee a remarkable improvement in the handling, control, and comfort of your Land Rover on or off-road. Superior construction and a lifetime warranty against manufacturer's defects. You'll wonder how you managed without them!



- RNA243/4 Defender 90/110 Set of four\$ 299.00
- RNA243 Defender 90/110 Front only\$ 92.56
- RNA244 Defender 90/110 Rear only\$ 92.56
- RNA235 Defender 90/110 Steering Damper\$ 85.00

Widen your Track with Alloy Wheel Spacers

Fits Series III, Defender 90, 110

Kit includes four alloy wheel spacers (30mm wide ea.), 20 lug nuts and instructions. Longer studs work better for fitting of Wolf Wheels.
 SRL005-RR Alloy Wheel Spacer Kit.....\$ 399.00

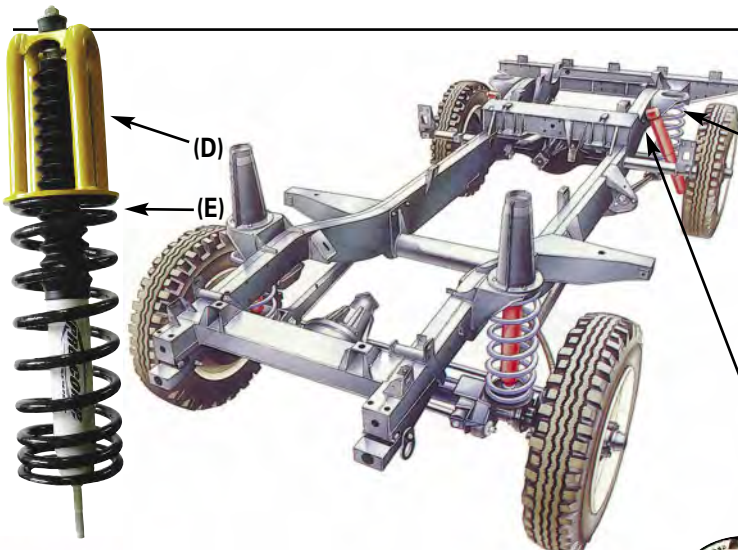


Heavy Duty Steering Rod Kits—They Will Handle The Toughest Terrain.

Designed for serious off-roading, our Heavy Duty (1 1/4" dia.) Steering Rods will allow you to clear rocks and stumps without getting hung up. All necessary mounting brackets and hardware are included. Our Extreme High Clearance Track Rod allows for increased clearance over whatever gets in your way.

Defender

- (A) RNC876HD Heavy Duty Drag Link. Fits 90, 110 all models. Use your existing Steering Damper or one of ours (see pg. 12).....\$154.95
- (B) RNE448HC Heavy Duty high clearance track rod. Fits 90, 110 all models\$209.95
- (C) RNS069 Genuine Track Rod End RH Thread.....\$ 26.68
- (C) RNS070 Genuine Track Rod End LH Thread.....\$ 26.68



Raised Poly Axle Stops

Replace your old stock cracked rubber mounts with these new poly axle stops.



- PLH057 Orange Poly Axle Stop, standard 2 1/4 in. height Front /Rear, Defender\$ 23.95
- PLH057E Raised orange Poly Axle Stop, Front /Rear, 3 1/2 inch. for Defender with raised suspension components.\$ 28.95

Upgrade Your Suspension To Improve Travel, Articulation, & Off-Road Worthiness!

Front Suspension

- (D) **Yellow heavy duty front shock tower pair**
 PLS023HDY.....\$ 169.00



- (D) **Galvanized heavy duty front shock tower pair**
 PLS023HDG ..\$ 169.00



- (E) **Heavy duty securing rings**

For front shock tower. Used to secure heavy duty shock tower to your chassis. Sold in pairs.

PLS039HD.....\$ 19.95



Rear Suspension

- (F) **Dislocation cones for rear coil springs.**

Easily bolts to your chassis rear top spring mount. Proven effective in guiding a dislocated spring back into place. Sold in pairs.

PLH617DC \$ 89.00



- (G) **Rear shock bracket 2 inch drop kit.**

Lowers rear shock top mount by 2 inches. Sold in pairs. PLH617DK\$ 89.00



ACCESSORIES



OLD MAN EMU

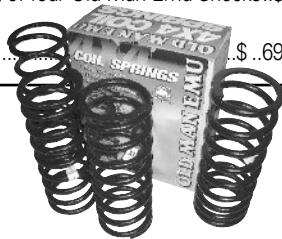
In the most extreme off-road conditions, you have to rely on your suspension working well. These kits are designed for enthusiasts who like to spend their time off-road.



Old Man Emu Gas Pressurized Shocks

Series II, IIA, III

N78	Front Shock, 88" & 109"	\$.84.95
N90	Rear Shock 88"	\$.84.95
N69	Rear Shock 109"	\$.84.95
OMESD11	Steering Damper	\$.69.95
Defender 90, 110		
OMESKDEF	Defender 90, 110, Set of four Old Man Emu Shocks..\$	319.95
OMESD32	Steering Damper	\$.69.95



Old Man Emu Spring Kits

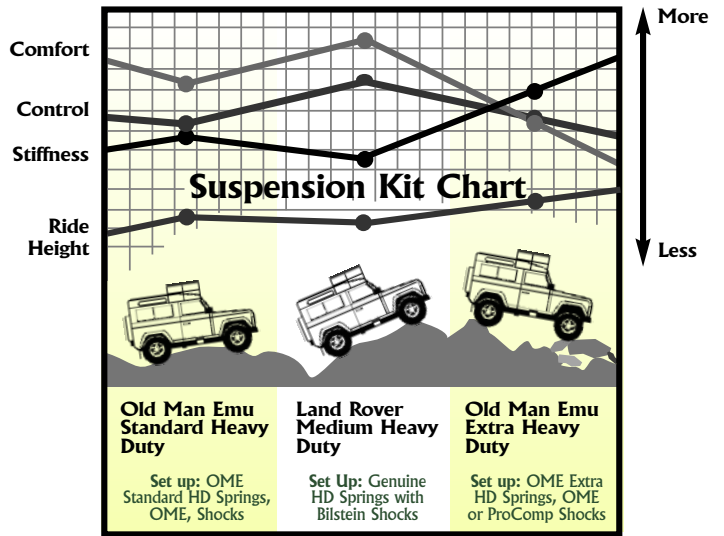
These kits are designed for the hard core enthusiast. Kit includes two front and two rear springs.

Heavy Duty		Average Lift	
Defender 90		Front	Rear
OMED90SK1	Standard Heavy Duty	1.25"	1.75"\$319.00
Defender 110 Station Wagon			
OMED110SK1	Standard Heavy Duty	1.25"	1"\$319.00
Defender 110 Regular			
OMED110RSK1	Standard Heavy Duty	1.25"	1.5'\$319.00

Extra Heavy Duty		Average Lift	
Defender 90 Front Rear		Front	Rear
OMED90SK2	Extra Heavy Duty	1.25"	2.25"\$319.00
Defender 110 Station Wagon			
OMED110SK2	Extra Heavy Duty	1.5"	2"\$319.00
Defender 110 Regular			
OMED110RSK2	Extra Heavy Duty	1.25"	2"\$319.00

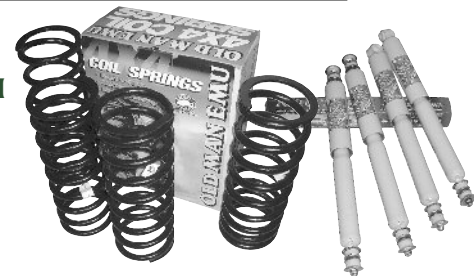
90

Great Knowledge, Prices and Availability are the reasons why Rovers North is the most recommended direct Land Rover parts source in the USA



Old Man Emu Suspension Kits

These kits are designed for the hard core enthusiast. Kit includes four springs and four shocks.



Standard Heavy Duty Defender 90

OMED90K1	Standard Heavy Duty	1.25"	1.75"\$639.00
Defender 110 Station Wagon			
OMED110K1	Standard Heavy Duty	1.25"	1"\$639.00
Defender 110 Regular			
OMED110RK1	Standard Heavy Duty	1.25"	1.5'\$639.00

Extra Heavy Duty Defender 90

OMED90K2	Extra Heavy Duty	1.25"	2.25"\$639.00
Defender 110 Station Wagon			
OMED110K2	Extra Heavy Duty	1.5"	2"\$639.00
Defender 110 Regular			
OMED110RK2	Extra Heavy Duty	1.25"	2"\$639.00



Land Rover HD Springs and Bilstein Shock Kits

Land Rover Genuine Springs.	
RNK5101	Defender 90, Land Rover HD Springs\$299.00
RNK5102	Defender 110, Land Rover HD Springs\$264.95
RNK5111	Defender 90 with ARB winch.....\$309.95
Land Rover Genuine Springs and Bilstein Shocks. Kits include front and rear shocks.	
RNK5201	Defender 90, Land Rover HD Springs & Bilstein Shocks \$589.00
RNK5202	Defender 110, Land Rover HD Springs & Bilstein Shocks \$589.00
RNK5211	Defender 90 w/winch, LR HD Springs & Bilstein Shocks \$599.95

ACCESSORIES



10 year
custom built
ROVERS NORTH
stainless steel
roof racks
guarantee

The World's Finest Custom Built Roof Racks for Land Rovers comes with our Exclusive 10 Year Guarantee!

Our 10 year Guarantee protects your Rovers North custom stainless steel roof rack against any workmanship errors, material defects or excessive wear. We will replace or repair your roof rack at no charge to you no matter how many Land Rovers you wear it on.

Enhance your Land Rover's function and ability in overland travel with a purpose-built stainless steel expedition roof rack by Rovers North, custom built to your specifications in our workshop facilities.

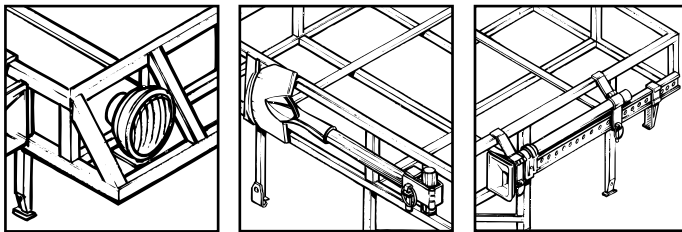
All Rovers North Roof Racks include:

- Precision-built with high strength corrosion-proof stainless steel.
- Superior mounting system and load deck design
- Easy bolt-on installation, requires no drilling or special tools
- Custom manufacturing ability to meet your special equipment and design requirements

Our master craftsmen are able to custom fabricate a Rovers North Expedition Rack to any of your specifications.



Roof Rack Options



Lighting Shovel, Axe or Pick Jack mounting

Your choice of the following options:

- Front and rear lamp mounts with internal wiring
- Spare wheel mount
- Built on carrier for jack, shovel, pick, axe and other equipment
- Water and fuel can mounts
- Custom decking and wall heights
- Lockable mounts for rack and accessories

Expedition-ready base units roof racks with your choice of 4" or 6" sides can be built. Should you require any optional equipment or design features, please inquire as these costs are additional.



Safari 90 Roof Rack
(forward mount half length rack)

Perfect fit for Defender 90 soft top, plastic top and Station Wagon models (mounts to roll cage above front doors)
RNA90RR Safari 90 Roof Rack.....\$ 924.95



Alcan 3/4 Length Roof Rack
(3/4 length expedition rack with rear access ladder)

RNA8834 88" Station Wagon models\$1149.00
RNA9034 90" Station Wagon models\$1495.00
RNA9034S 90" Soft Top and Plastic Top\$1545.00
RNA10934 109" Hard Top and SW models\$1595.00



Hudson Bay Full Length Roof Rack
(full length expedition rack with rear access ladder)

RNA10934 88" Station Wagon models\$1595.00
RNA90FSW 90" Station Wagon models\$1295.00
RNA90FS 90" Soft Top and Plastic Top\$1769.00
RNA109F 109" Hard Top and SW models\$1754.00



Rovers North Stainless Steel Rear Access Ladder

Fits all aluminum hard top models. No drilling or roof rack required.
RNARAL Rovers North Stainless Steel Rear Access Ladder.....\$ 310.95

ACCESSORIES



Half Length Brownchurch Roof Rack shown on Series IIA 109.

Brownchurch Roof Racks for Series II, IIA, III & Defender 90, 110 Hard Top Models

Our most popular roof rack. Strong, lightweight, versatile and attractive, these famed English roof racks are now available in half and full length sizes. They feature a wide, easy to install gutter mount clamp system. Finished in black nylon for extra durability and corrosion resistance. Fits all aluminum hard top Land Rover models, except NAS Defender 110.

LR91NL	Full Length, 81"x53"x41/2", All Models.....	\$ 819.95
LR91NS	Half Length, 49"x53"x41/2",All Models	\$ 579.00
LR91NAL	Ladder	\$ 157.50



Full length Brownchurch Roof Rack shown on Defender 110

Brownchurch HD Galvanized Roof Racks for Series II, IIA, III & Defender 90, 110 Hard Top Models

Expedition quality galvanized roof rack with access ladder (as shown above) designed for Series II, IIA, III. Will not fit NAS Safari Cage equipped vehicles. Full length 88 rack (as shown at top of page) can be fitted to a 109 as a 3/4 length rack.

RNA1196	Heavy Duty Galvanized Full Length Roof Rack, 109"	\$ 859.95
RNA9591	Heavy Duty Galvanized Full Length Roof Rack, 88"	\$ 879.95
RNA9590	Same as RNA9591 with integral fuel can mounts (4 cans)	\$ 995.00



RNK8233 Wing-Top Shovel Mounting Kit. Expedition Shovel and Pick are located on page

Stout Aluminum Wing Top Protectors

RNF369	Defender 90, 110	\$ 259.95
RNA1116	Series II, IIA, III Deluxe Bonnet	\$ 198.00
RNA1116	Series II, IIA, III Plain Bonnet	\$ 198.00

Wing-Top Shovel Mounting Kit

(Shown above) This kit provides everything needed to mount your Expedition shovel to the wing-top of a Land Rover. Kit includes all brackets, pads, straps and hardware. Does not require wing top protectors. **Kit does not include shovel.**

RNK8233	Wing-Top Shovel Mounting Kit.....	\$ 67.29
---------	-----------------------------------	----------

Rear Shovel & Pick Mounting Kit

This kit provides everything needed to mount your Hickory Handle Pick and Expedition Shovel to the rear of a Land Rover. Kit includes all brackets, pads, straps and hardware. For rear door models, the pick handle mounts on roof above door. **Kit does not include shovel, pick handle and pick head.**

RNF255	Shovel and Pick Mounting Kit.....	\$ 69.95
--------	-----------------------------------	----------





Lamp Guards Front 1969 on.

Lamp Guards Series II, IIA & III

Lamp Guard Front Late Series

Complete protection for Land Rovers with headlamps in wings, Series IIA 1969 on, III, Defender 90, 110.

RNB914\$ 61.49

Lamp Guard Early Series IIA

Protective cage, made from wire, for front parking & directional lights on Land Rovers with headlamps in grill.

PLE265\$ 17.95



Series Rear Lamp Guards

Protection for standard rear lenses. Will not fit assemblies with 4" amber directionals without modification. Does not include rear back up light guard.

PLE265.....\$ 17.95



RNF305

RNA090



RNF251

Defender 90,110 Lamp Guards

Manufactured from black nylon coated steel, these Genuine Land Rover lamp guards protect lenses and bodywork. Front guards hinge downward for cleaning or servicing lamps and will not interfere with a front brush bar.

RNF305 Rear Lamp Guard Set, square, fits '94-'95 & '97\$ 33.95

RNA090 Rear Lamp Guard Set, rounded, fits '95-on.....\$ 239.00

RNF251 Front Hinged Lamp Guard Set.....\$ 249.95

Genuine Land Rover Swivel Work Lamp

Swivel ball mounting allows 360° beam adjustment.

Features a 55 watt halogen bulb assembled in a shatterproof and waterproof case with integral waterproof switch.

RNA635 Swivel Work Lamp.....\$ 82.95



Switches

Auxiliary Switch

Genuine Land Rover switch mounts to the dash on the left side of the steering column. Perfect for auxiliary lights, a rear work lamp or an ARB air compressor.

RNC938 Genuine Land Rover Auxiliary Switch.....\$ 26.95



Auxiliary Light Switch

This Genuine Land Rover switch mounts to the right hand side of the steering column, mirroring the headlamp switch.

RNE498 Genuine Land Rover Auxiliary Light Switch \$ 76.95



Auxiliary Switch Series II, IIA, III

This Genuine Land Rover auxiliary switch is a single throw switch - identical in design to the factory toggle switches on your Series Land Rover.

RNF167 Genuine Land Rover Auxiliary Switch, Series.....\$ 9.59



Hella Map Light

Flexible attachment provides reading light for maps.

RNA671 Hella Flexible Map Light.....\$ 31.95

RND267 Replacement Bulb 12v 5w\$ 12.49

Hella Relays - All Models

Hella relays provide improved performance of electrical accessories by reducing the voltage drop that occurs when power is routed directly through a switch.

RNE234 15A Hella relay with fuse.....\$ 13.75

RNC715 30A Hella relay.....\$ 10.50

RNC716 Hella Wiring Harness.....\$ 41.50

Work Lamps



Hella Rear Flood Work Lamp Kit

Perfect for backing up or hooking up a trailer at night, this dual beam,

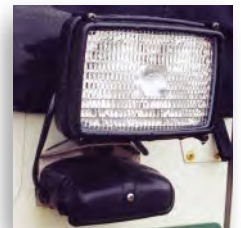
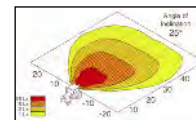
110w flood lamp provides a very bright, 180° panorama.

The kit includes everything you'll need: lamp, black coated stainless steel bracket, dash switch, wiring harness, relay and instructions. And a bonus - there's no drilling of body work required.

RNC950 Hella Rear Flood Lamp Kit\$ 199.00

RNE675 Bulb H3 55w (for RNC950)\$ 3.50

RNF665 Bulb H3 100w (relay required)\$ 10.95



Rear Hella Flood Lamp Mount

Used to fit a work lamp above the rear Defender license plate lamp. Black coated stainless steel.

RNC949 Rear Hella Flood Lamp Mount.....\$ 41.95



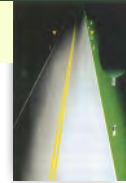
ACCESSORIES

Simple, effective upgrades

Hella

Hella Vision Plus Headlamp Conversion

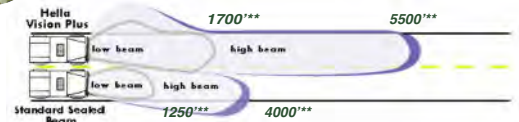
High performance European headlamp technology in a "street legal D.O.T." version. Most powerful, legally-approved headlamp on the market. These headlamps provide a precise, focused beam pattern that turns night into day! A direct replacement for factory headlamps on all Defender, and Series models. 60 watt high beam / 55 watt low beam. 7" dia. RNC673 Hella Vision Plus Headlamp Conversion\$ 49.95



Hella Vision Plus Low Beam



Hella Vision Plus High Beam



Replacement Headlamp Bulbs

RNE800	H4 Land Rover Genuine Xenon Bulb, Single	\$ 15.25
RNE880	H4 Land Rover Genuine Xenon Bulb, Set	\$ 23.95
RNE869*	H4 80w low/100w high (off-road use only)	\$ 12.95
RNE852*	H4 55w low/100w high (off-road use only)	\$ 13.75
RNH241	Land Rover Genuine Bulb Kit	\$ 39.95

*RNE869, RNE852 must use additional relays.



RNH241

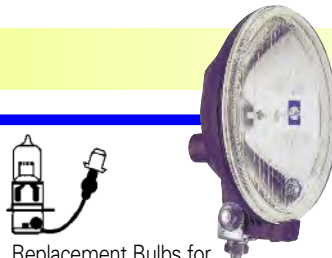


Add a set of lights

Hella 500

The rigid construction of the Hella 500 provides durability for encounters with even the most rugged terrain and provides excellent visibility on and off-road. Two lights in a kit, includes wiring. Recommended use: above the bumper. 6 3/8" dia.

RNC681	Hella 500 Driving Lamp Kit	\$ 85.00
RNC682	Hella 500 Clear Fog Lamp Kit	\$ 85.00
RNC683	Hella 500 Amber Fog Lamp Kit	\$ 85.00
RNC699	Hella 500 Stone Shield	\$ 11.95
RNC701	Hella 500 Clear Cover	\$ 11.95

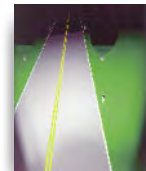


Hella 500 Driving Lamp Kit

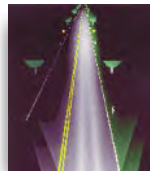
Replacement Bulbs for Hella 500 and 550 lights.

RNE675	H3 55w	\$ 3.50
RNF665	H3 100w	\$ 10.95

Relay Required for RNF665



Hella 500 Fog



Hella 500 Driving

Hella 550

Choose from fog or driving lamps. Kit includes: two lights, wiring harness and relay in a kit. Recommended use: below the bumper. 7 11/16" W x 4 11/16" H x 3 1/4" D.

RNH264	Hella 550 Driving Lamp Kit	\$ 109.95
RNH263	Hella 550 Clear Fog Lamp Kit	\$ 99.95
RNH333	Hella 550 Amber Fog Lamp Kit	\$ 109.95
RNC702	Hella 550 Clear Cover	\$ 11.95



Hella Cat Eye FF50 & FF100 Series

The perfect lamp for limited space on your Land Rover. Dimensions: 2 9/16" H x 4 5/8" W x 3 3/4" D.

RNH337	Hella FF50 Driving Lamp Kit, pair	\$ 74.95
RNH338	Hella FF50 Fog Lamp Kit, pair	\$ 84.95
RNH339	Hella FF100 Driving Lamp Kit, pair	\$ 129.95
RNH340	Hella FF100 Fog Lamp Kit, pair	\$ 129.95
RNH341	Hella FF100 Amber Fog Lamp Kit, pair	\$ 139.95
RNH342	Hella FF100 Protective Grille Set	\$ 33.95
RNE675	Replacement Hella Bulb H3 55w	\$ 3.50
RNF665	Replacement Hella Bulb H3 100w.....(relay required)	\$ 10.95



RNH337 Hella FF50 Driving



RNH339 Hella FF100 Driving

Warn Driving Spot Beams

Used by Land Rover on G4 vehicles. Kit includes: 2 lights, wiring harness, relays and dual beam control switch. Driving Beam: 410' / 125m. Lens Diameter: 5-1/4" / 134mm.

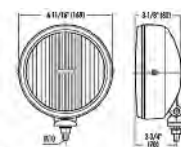
RNH343	Warn Driving Spot Beam Lamp Kit	\$ 399.00
RNE869	Replacement Bulb, Warn Driving Spot Beam	\$ 12.95



PIAA 80 PRO XT

Perfect for the brush bar that sits only inches away from the grille - or anywhere that space is limited. Impressive quality and a complete kit that includes both lamps, wiring harness and protective covers. Also available fog and pencil beam.

PIA8362	PIAA 80 120w Pro XT Driving Lamp Kit	\$ 349.95
13120	Replacement PIAA Bulb H3 120w	\$ 19.95



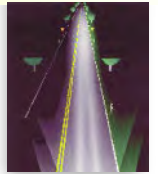
Performance lights

Hella

Hella 1000 Black Magic

New black optics technology creates a wild, all black look. All black when "off" a brilliant, enhanced-focus beam when "on." Includes wiring harness.
Recommended use: above the bumper, brush guards and roof racks. 7 3/8" dia. Off-road use only.

- RNC680 Hella Rallye 1000 Black Magic Kit\$ 249.95
- RNK5804 Hella Rallye 1000 Black Magic, Land Rover grilles, 100w bulbs\$ 329.00
- RNC705 Stone Shield.....\$ 13.95
- RNC698 Clear Cover\$ 13.50
- RND266 Replacement Hella Bulb H2 55w\$ 4.75
- RNH334 Replacement Hella Bulb H2 100w\$ 8.95



Hella Rallye 1000 Black Magic



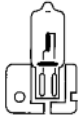
Land Rover Grilles



Hella DynaView

For the first time a driving lamp is able to illuminate corners and bends in the road independently and intelligently. A sensor constantly monitors the transverse acceleration of the vehicle and automatically switches the appropriate cornering headlamp on at the beginning of the bend. "Driving Blind" into the unknown is a thing of the past. Dimensions: 7 3/4" H x 7" W x 4 1/8" D.

- RNL7900 Hella FF1000 DynaView kit.....\$ 524.95
- RND281 Hella FF1000 Stone Shield (single).....\$ 17.00
- RND282 Replacement Hella Bulb H1 12V 55W.....\$ 5.95
- RNH335 Replacement Hella Bulb H1 12V 100W.....\$ 7.99



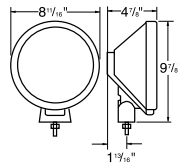
Cornering Lights



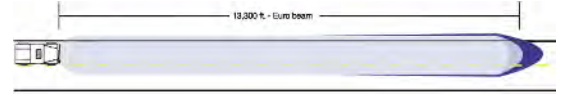
Hella Rallye 3000 Cool Blue

The Rallye 3000 has been a proven partner for truckers and off-road drivers for years. Now a version is also available with a Cool Blue lens: a combination of the familiar excellent luminous efficiency with a fresh appearance. Features: Blue lens creates a unique styling effect on any vehicle when lamp is off and produces a sharp, white beam when lamp is on. High quality Free Form (FF) reflector, Low weight with sturdy reinforced ABS plastic housing (important for roof attachment), bonded watertight assembly. Wiring harness sold separately. Dimensions: 9 15/16" H x 8 12/16" W x 4 15/16" D. Off-road use only.

- RNA748 Hella Rallye 3000 Cool Blue Driving Lamp (7000 ft.)\$ 129.00
- RNH336 Hella Rallye 3000 Cool Blue Euro Lamp (13,300 ft.)\$ 139.00
- RND282 Replacement Hella Bulb H1 12V 55W.....\$ 5.95
- RNH335 Replacement Hella Bulb H1 12V 100W.....\$ 7.99
- RNC716 Hella Wiring Harness.....\$ 41.50



Hella Rallye 3000 Grille



Hella

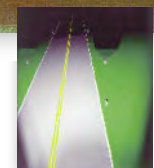
Hella Rallye 4000

The perfect lamp for the roof rack or front of your Land Rover - with a corrosion-resistant metal housing, waterproof connections and knurled adjustment knobs that allow for precise aiming without tools. Stable, sturdy and BRIGHT! Dimensions: 9 3/16" H x 8 3/4" W x 6 3/8" D. Off-road use only.

- RNK4807 Rallye 4000 Euro Driving Kit\$ 324.95
- Includes a pair of lights, stone shields & wiring harness
- RNC677 Rallye 4000 Fog Lamp (inc. stone shield)\$ 139.95
- RNC678 Rallye 4000 Euro Driving Beam (inc. stone shield).....\$ 139.95
- RNC679 Rallye 4000 Pencil Beam (inc. stone shield)\$ 139.95
- RNC717 Hella Rallye 4000 Wiring Harness\$ 55.00
- RNC708 Protective Grille\$ 29.95
- RNC709 Replacement Stone Shield\$ 13.95
- RNC700 Clear Cover\$ 11.95
- RND282 Replacement Bulb H1 12V 55W for all except fog lamp.....\$ 5.95
- RNH335 Replacement Bulb H1 12V 100W.....(relay required)\$ 7.99
- RNE675 Replacement Bulb H3 12V 55w for fog lamp.....\$ 3.50



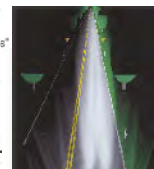
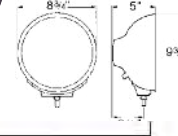
RNK4807



Hella Rallye 4000 Fog Lamp, 750 ft.



Hella Rallye 4000 Euro, 13,300 ft.



Hella Rallye 4000 Pencil Beam, 18,270 ft.

ACCESSORIES



Defender 90, 110 Vehicle Protection Plate

Made from heavy duty 10mm aluminum alloy with galvanized steel brackets, this skid plate is strong and durable, yet light weight. Designed to protect your Defender's steering rods and stabilizer from off road hazards. Works well in combination with our Diff Guard (DIFF01AA).

RNA4113 Lower Skid Plate\$ 414.95

MANTEC

Mechanical components under the body of your Land Rover experience some of the most damaging treatment from off-road travel. MANTEC's protective guards are designed to protect your vehicle from unseen and unavoidable problems, allowing you to concentrate on driving. Out of sight should not be out of mind!



MANTEC Steering Guard

Protect your steering control rods when the going gets tough. Constructed of alloy fitted to a steel frame. All hardware and fitting instructions included.

RNA7002 MANTEC Steering Guard, Defender 90/110, Series III.....\$ 349.95

Rovers North Differential Guard

DIFF01AA

Essential protection for off-road use. Reinforced anodized steel guard clamps onto the front axle housing and protects the front differential from the most common off-road hazards.



DIFF01AA Defender Front Diff Guard.....\$ 89.95

Differential Housing Replacement Cover

Easy to install weld-on replacement cover. Ideal for rusted out or damaged housings. Simply cutoff the old housing and weld on this identical cover without having to remove your axle assembly from the vehicle. Fits all Series II, IIA, III, 90 and 110 front and rear Rover style axles (will not fit Series III 109 or 110 Salisbury type rear axles).



RNA0150 Diff Housing Replacement Cover.....\$ 128.75
 RNH380 Bolt-on Salisbury Axle Cover.....\$ 139.95
 RNH381 Gasket for Salisbury Axle Cover.....\$ 7.95

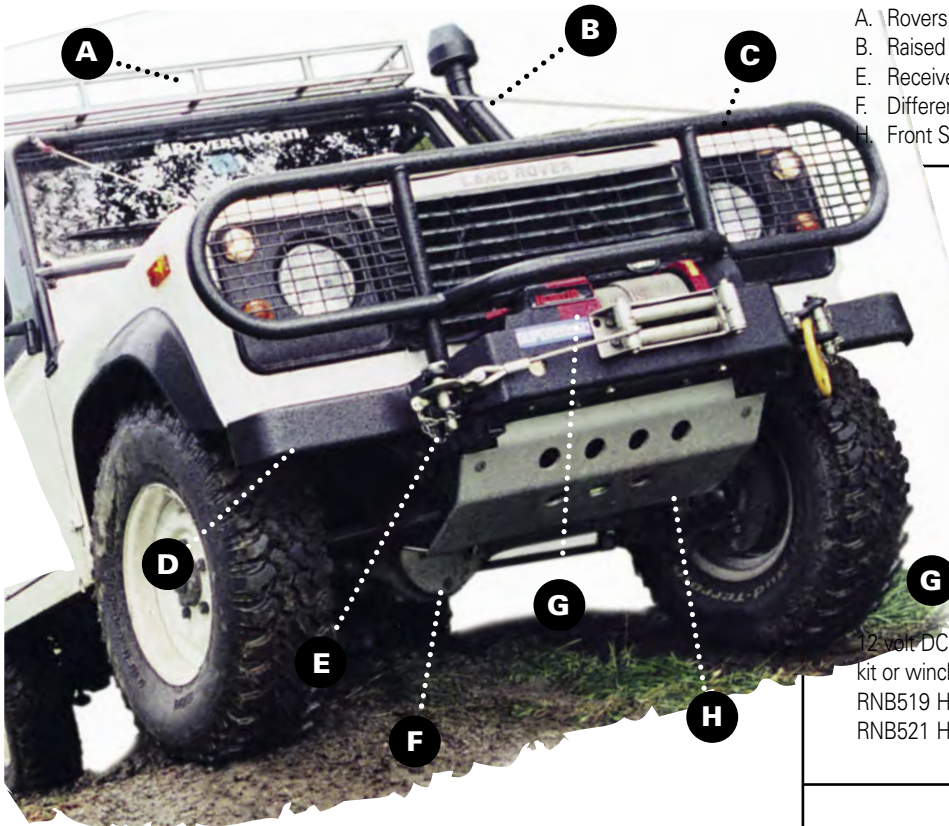


For Jackall and adaptor see page 101.

Sill Protectors with Recovery Points For Jackall

These robust sill protectors prevent damage to the bodywork during rockcrawling adventures. Convenient receptacles allow for use of the Jackall 90/110 adapter for recovering when high centered or for changing tires. Sill protectors arrive with all hardware and installation instructions. May not be compatible with factory or aftermarket steps.

RNA1011 Series II, IIA, III 88" Sill Protectors, Galvanized Finish\$ 310.95
 RNA1001 Defender 90, Black Finish.....\$ 299.95
 RNA1005A Defender 110, Black Finish.....\$ 269.95



A. Rovers North Roof Rack	See Page 91
B. Raised Air Intake.....	See Page 99
E. Receiver Adaptor Tow Jaw	RNA082 \$ 49.95
F. Differential Guard.....	DIFF01AA..... \$ 89.95
H. Front Skid Plate.....	RNA4113..... \$414.95

Superwinch Husky Winches & Rovers North Bumper Kits



Motor: 2.1 HP series wound
 Gearing: Oil bathed worm drive
 Freespooling (clutch) Splined drum shaft
 Wire Rope: 8,500- 5/16" x 150', 10,000- 3/8" x 90'
 Weight: 8,500 -125 lbs, 10,000 -130 lbs

G Superwinch Husky Winches

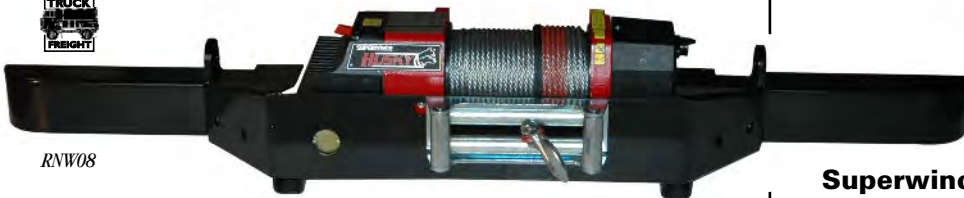
12 volt DC. Includes 12' hand held remote and roller fairlead (requires mounting kit or winch bumper).

RNB519 Husky 8 - 8,500 lb winch	\$1299.00
RNB521 Husky 10 - 10,000 lb winch	\$1399.00

C Heavy Duty Camel Trophy Brush Bar

With fixed mesh lamp guards, limb riser brackets and winch protection bar. Black nylon coated. Shown with RNW06 Bumper Winch Kit.

RNA011	Heavy Duty Camel Trophy Brush Bar.....	\$ 639.95
RNA0125	Camel Trophy Sticker Large, 22"	\$ 12.50
RNA0126	Camel Trophy Sticker Small, 6"	\$ 5.50



RNW08



RNA110B

D Rovers North Heavy Duty Bumper Kit with Superwinch Husky Winch - Series II, IIA, III & Defender 90, 110

Our 1/4" thick, heavy duty bumper is purpose built to fit the Superwinch Husky 8,500 lb or 10,000 lb oil cooled worm drive winch. Includes built-in jack and recovery points, also allows for mounting optional tow jaws. **Supplied completely assembled.** Kit includes: front bumper, Superwinch with roller fairlead, cable, remote control, wiring harness, hardware and instructions. Available in black painted finish.

RNW06	Bumper Kit with 8,500 lb. winch.....	\$1995.00
RNW08	Bumper Kit with 10,000 lb. winch.....	\$2075.00
RNA089	Adapter for USA 110	\$ 159.95
RNA110B	Bumper Only	\$ 675.00



Superwinch X9 Winch

12 volt DC. Includes 12' hand held remote and roller fairlead (requires mounting kit RNW012, see below).

RNA921	Superwinch X9 9,000 lb winch	\$ 799.00
--------	------------------------------------	-----------

For Series II, IIA & III Superwinch Mounting Plate Kits

Superwinch Mount Kit for Husky 8500 lb, 10000 lb winch or X9 winch. Easy bolt-in installation fits all standard Series front bumpers without welding or interfering with the hand crank. Requires drilling of the bumper.

Series II, IIA, III

RNW013	Husky Mounting Plate kit.....	\$ 341.95
RNW012	X9 Winch Plate kit.....	\$ 319.95



ACCESSORIES



Rovers North Defender Low Profile 9,000 lb Warn Winch Kit

This kit relocates the Warn control box and remote lead to the interior battery compartment for better protection. The hand control outlet is mounted inside the driver's compartment for convenience. Fits standard bumpers for a partially concealed appearance. Kit includes: 9,000 lb Warn winch, mounting brackets, wiring harness, 100 feet of 5/16" cable, roller fairlead, instructions and all hardware needed.

Not available for 1997 Def. 90.
(shown with optional Brush Bar RNF589 and Tow Jaw RNF558).
RNW05.....\$ 1499.00



ARB Bull Bar with Warn 9,000 lb Winch for Series II, IIA, III and Defender 90, 110

Superior front end protection for your Land Rover. This heavy duty front bumper with integral protection bar and recovery points is built to facilitate a Warn 9,000 lb winch with roller fairlead. This kit is supplied by Rovers North completely assembled and includes bumper bull bar, Warn 9,000 lb winch with 125 ft of 3/8" cable, roller fairlead, remote control, mounting brackets, wiring harness, instructions and all hardware needed.

ARB109W	ARB Bull Bar with Warn 9,000lb winch	\$ 1950.00
RNB897	ARB Bull Bar only.....	\$ 834.95
RNA089	Adapter for USA Defender 110.....	\$ 159.95

Don't forget to upgrade your springs

Due to the added weight of the ARB Bumper or the Rovers North Heavy Duty Bumper with winch, we recommend that you upgrade your road springs to accommodate the additional load. Our choice is heavy duty Genuine Land Rover springs (page 95) for maximum performance both on and off road.



Warn Winches & Winch Kits



Too Heavy?
When selecting a winch, consider the weight of your Land Rover. Then consider all of the resistance that deep mud, soft sand and large rocks provide when you need your winch the most! Land Rover recommends fitting a winch that is load rated to a minimum of twice the vehicle's weight.

Warn XD9000 Winch

12 volt DC. Includes 12' hand held remote and roller fairlead. Specifications: Rated line pull (single line) 9,000 lbs., 4.6 hp motor, weight, 84 lbs.

WARN9	Warn XD9000 winch.....	\$ 1049.95
WARN95	Warn	\$ 1095.00

Portable Warn 9.5ti Winch

The new 9.5ti Multi-Mount (remove when not in use) packs 9,500lbs of portable pulling capacity into a massive 12.5lb aluminum die-cast body. The new shape not only looks great, but resists the elements like no other winch on the

market: seals to give extreme-duty water resistance. Features include: Gen II Bosch motor, 3 stage planetary gearing, thermometric feedback about motor temperature, 7.5' hand held remote and hawse fairlead. Complete assembly includes winch mounted on



carrier with quick disconnectors. Will attach to any 2" Class III receiver hitch. Specifications: Rated line pull (single line) 9,500 lbs., weight; 112 lbs. Front receiver hitch and rear power lead sold separately.



RNA085 Receiver Hitch

WARN95TIP	Warn 9.5ti Multi-Mount winch.....	\$1350.00
RNA085	Front Receiver Hitch, Defender only.....	\$ 209.95
RNB718	20' Cable Kit (rear power lead)	\$ 154.95

Warn Winch Mounting Kit Plate for Series II, IIA & III

For mounting Warn 9,000 lb. or 10,000 lb. winches listed on this page. Fits standard Series front bumpers. Easy bolt on installation



that requires no welding. Kit includes all mounting hardware and installation instructions. Requires drilling of the bumper.

RNW03	Warn 9,000 Winch Mounting Plate Kit	\$ 258.95
RNW07	Warn 10,000 Winch Mounting Plate Kit	\$ 247.95

Defender Radio Facia Kit

Defender 90 / 110 / 130

Keep your eyes on the road. Makes for easy tuning and adjustments while driving. Can be used for a separate CB installation too.

RNH512 Defender Radio Facia Kit \$ 38.49



Rovers North Radiator Muffs

- Increase in your heater's output
- Quicker warm-up
- Reduced engine stress

In the snowbelt, this simple accessory will make a big difference in a Land Rover's winter performance. By controlling the airflow through the radiator in freezing weather, the engine can run at its optimum operating temperature. This means reduced engine wear and increased heater output. We have developed this radiator muff exclusively for our customers and we believe it is the finest one you will find. Made of heavy Cordura® Nylon with sturdy fasteners for a secure fit and long life.



RNM0001	Early Series IIA	\$ 41.95
RNM0002	Late Series IIA	\$ 41.95
RNM0003	Series III	\$ 41.95
RNM0004	Defender 90, 110	\$ 41.95
RNM0005	Air Portable	\$ 46.95
RNM0006	Defender 90/110 Stainless Grille.....	\$ 41.95

Hand Throttle Kit for Defender 90, 110

This manual locking control allows you to increase engine RPM without having to keep your foot on the accelerator. Ideal for stationary use, like winching or jump starting when increased alternator output is desired. Mounts to right side of steering column where blanking plug is for easy access from the drivers position.



RNK707 Hand Throttle Kit\$ 123.79

Thinking about switching to Plasma Rope?

Not all plasma rope is the same, even if it's the same color. We know, because we've been testing them all, and have found this plasma rope to be far superior to the others. Suitable for all winches rated to 12,000 lb.

RNR2021	3/8" Plasma Rope; 100'	\$ 269.95
RNR2011	5/16" Plasma Rope; 125'	\$ 229.00



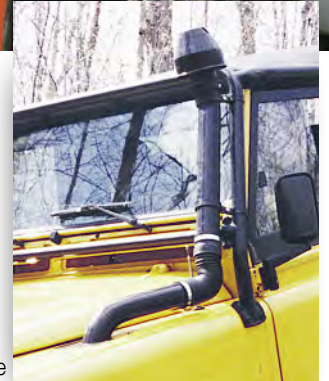
Fairlead for Plasma Rope

The must-have Fairlead when using our Plasma winch rope on your winch. Brushed aluminum alloy with 360° line access.

RNR2001 Fairlead Plasma Rope, all hardware included\$ 59.00



Defender TD5 raised air intake RNA2002TDI



Defender 90 NAS raised air intake RNA1002

MANTEC

Raised Air Intakes For All Defenders

Provides superior intake filtration to insure clean air delivery to your engine when operating in extremely dusty conditions.

RNA1002	Defender NAS 90, 110.....	\$499.95
RNA2002TDI	Defender 90, 110, TD5, 300Tdi.....	\$329.95

Replacement parts available, please inquire

Swingaway Spare Wheel Carrier

MANTEC

The best tire carrier we've found. If you use your rear door even occasionally, you'll appreciate how this tire carrier makes access to the cargo area much easier and takes the stress and weight off of your rear door hinges.



Heavy duty tubular steel construction and hinge hardware, zinc phosphated and black polyester-coated. Includes instructions and all necessary hardware for installation. Will fit Series II, IIA, III, Defender 90/110.

RNA2550 MANTEC Swingaway Spare Wheel Carrier\$499.95

ACCESSORIES

Recovery Accessories

Winch Accessory Kit by Warn

Includes: Snatch Block, shackle, gloves, 2" x 8' (5cm x 2.4m) tree trunk protector, 10' of 15/16" (3m of 8mm), grade 7 choker chain with hooks. Four internal pockets for organizing your accessories. Plenty of storage space for adding your own accessories.



RNW02 Warn Winch Accessory Kit\$ 225.00

Land Rover Winch Accessory Kit

Land Rover Winch Kit includes; gloves, snatch block, tree strap, hook, and carrying bag.



RNA690 Land Rover Winch Accessory Kit\$ 259.00

Rovers North Recovery Kit

We've assembled what we consider to be the basic elements any Land Rover should have on-board at all times, whether on the road or off. Our exclusive Recovery Kit includes our beefy 2" reinforced double loop 30' tow strap, two heavy-weight steel shackles, leather-lined Land Rover gloves and durable recovery bag for easy storage under the seat.



RNR1000 Rovers North Recovery Kit ...\$99.95

Leather/Kevlar Winching Gloves

Made with grey leather and tough cotton these gloves are built to withstand the rigors of winching. Kevlar thread stitching. Land Rover logo in green.



RNF573 Leather/Kevlar Winching Gloves.....\$9.45

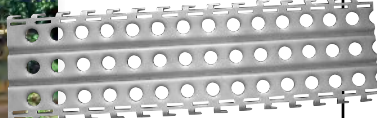


Defender 110 using aluminum platforms for traction over a log bridge.

Perforated Aluminum Platforms

Available new or military surplus. These 5' floatation mats help keep your vehicle moving over soft ground. Made from heavy gauge aluminum, yet only weigh 14 lbs. each. Not intended for use as a bridge but for traction over marshy surfaces.

RNP1004 New 5'\$299.95
 PAP05 Military surplus 5'\$195.00



PAP05 Shown



Warn Snatch Block

Used to double the pulling power of your winch and to aid in angled pulls.

RNC713 Warn Snatch Block\$59.95



Military Recovery Loops - Defender 90, 110

Heavy duty galvanized recovery loops as fitted front and rear on Military 90, 110 Land Rovers. Replaces shipping eyes located on chassis.

Special mounting hardware included.
 RNK0211 Military Recovery Loops\$79.95



Recovery Hitch and Receiver Adapter for all Models

A) Receiver Adapter allows recovery and tow hitches to be mounted into Land Rover's Class III rear receiver and Rovers North's Class III front receiver.

RNA082 Receiver Adapter\$49.95

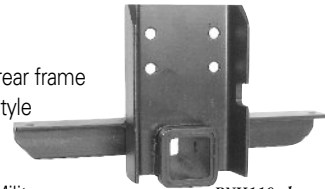
B) Recovery Hitch can be front or rear mounted to handle snatch strap, chain or winch cable as used on the Camel Trophy. Special mounting hardware included.
 RNF408 Recovery Hitch\$72.50



Class III Receivers

Perfect for towing or recovery. Bolts onto rear frame member. Can be incorporated with pintel style hitch. Includes mounting hardware. Also available in a front receiver for a Defender.

RNA084	All Series models except Military and 109 SW , rear	RNH110 shown \$206.96
RNA086	Military 88 and 109 only, rear	\$206.96
RNA087	109 Station Wagon only, rear	\$206.96
RNH110	Defender 90/110, except Td5, rear	\$199.95
RNA091	Defender 90/110, Td5 only, rear	\$206.96
RNA085	Defender 90/110, front	\$209.95



Expedition Shovel

This off-road shovel with its straight profile is designed for digging under stuck vehicles, out performing other shovels.

RNA691 Expedition Shovel\$49.00



Hickory Handle Pick

This 3/4 size implement conveniently breaks down into two pieces for easy storage. Hickory handle for long life.

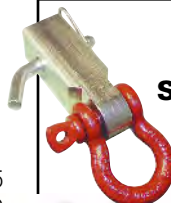
RNF255 Hickory Handle Pick\$69.95



Shackle Recovery Set

Made of solid steel, this is a stout, easy to use recovery hitch. Shackle and hitch pin included as shown.

RNA1022 Shackle Recovery Set\$69.95



Heavy Duty 3/8" Alloy Recovery Loops & Chain Ends

Professional quality exceeds Land Rover vehicle load and winch capacity requirements. Made of rust-free alloy, essential for safe recovery. Choose any combination of recovery ends with any length of 3/8" Grade 80 alloy chain (RNR1700 listed to right) and we will custom assemble it for you at no extra charge.



3/4" "D" Shackle
Essential for attaching a tree strap to winch cable or recovery strap to vehicle.
RNP0120 \$18.95



Recovery Ring
Versatile tool for winching and vehicle recovery. Dimensions are 4 1/2" x 6 5/8"
RNR1800 \$28.95



Choke Ring
Allows you to lock on to a chain link. For use with recovery strap or winch (see photo below).
RNR1756 \$19.95



Pear Ring
Similar to recovery ring in a smaller size. Focuses winch hook or strap shackle to one end.
RNR1753 \$17.50



Slip Hook w/Latch
Absolute finest quality alloy recovery hook available. By Pewag of Austria.
RNR1755 \$39.90



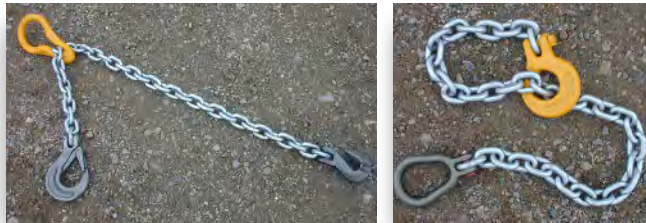
Slip Hook
Ideal for working with downed trees. Smooth design, allows chain to tighten without catching on obstacles.
RNR1750 \$19.95



Grab Hook
Locks into chain links to form a non-slip loop. Built in skid guards maintain a firm connection. By Pewag of Austria.
RNR1754 \$27.95



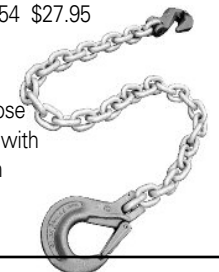
Fixed Clevis
Install on the end of your chain and hook combination to create the ultimate in versatility.
RNR1752 \$18.95



Various combinations of alloy ring, hook and chain recovery gear shown above

pewag Super Strong 3/8" Alloy Chain

Lightweight and rust proof. Sold by the foot. Choose any combination of recovery ends (shown above) with any length of 3/8" alloy chain and we will custom assemble it for you.
RNR1700 3/8" Alloy Chain\$4.75



48" Jackall

A rugged, powerful, all-purpose tool that can lift, pull, push or hoist up to 8,000 lbs. It is ideal for self recovery and is widely recommended as an essential component of an off-road vehicle's kit.
RNA901 Jackall.....\$69.95

Jackall Bag

Protect your Land Rover and Jackall at the same time. Heavy duty padded nylon w/double zippers.
RNA9111 Jackall Bag.....\$45.00

Jackall Adapter

Fits into the jack receptacles that are located on the Rovers North Sill Protectors, ARB and ZBar bumpers. This adapter provides the safest way to jack up your Land Rover on uneven terrain.
RNA908 Jackall adapter.....\$39.00

Hi-Lift Jacks

The original all cast, all purpose jack can lift, pull, push or hoist up to 4,660lbs.
HL485 48" Hi-Lift Jack.....\$69.00
An all cast construction with a 4,660lb rated capacity.
HL605 60" Hi-Lift Jack.....\$72.50

Off Road Jack Base for Hi-Lift Jacks only

This base improves the stability of Hi-Lift jacks on soft ground surfaces. This is highly recommended for off-road use in mud and sand, where the cast base of the Hi-Lift will sink under the weight of your Land Rover. (Base is for Hi-Lift Jacks ONLY)

ORB Jack Base.....\$34.95

4X4 RAC

This universal jack rack can be mounted inside or out, where ever your jack will fit. It can be used on Jackall or Hi-Lift jacks. Includes hardware.
4X400 Hi-Lift 4X4 RAC.....\$29.75

Loc Rac by Hi-Lift

This universal jack rack can be mounted inside or out, where ever your jack will fit. It can be used on Jackall or Hi-Lift jacks. Includes hardware and padlock with keys.
LR200 Loc Rac.....\$24.00



RNA901



SUPERWINCH

Superwinch Tree Strap

The tree strap will allow you to use a tree as a winch anchor point without harming the tree. Using a cable or chain around a tree will injure and possibly kill the tree. 8' long, 30,000lb capacity.
RNB583 Superwinch tree strap.....\$47.50



Latest in Recovery Tools SOFT STRAPS Pro Comp Recovery Straps, better shock absorption, better energy magnification.

A must have emergency tool for your off-roading adventures.

- RNH548 Pro Comp 2"X20' strap, 20,000 lb. rating 220000\$29.95
- RNH549 Pro Comp 2"X30' strap, 20,000 lb. rating 230000\$39.95
- RNH550 Pro Comp 3"X30' strap, 30,000 lb. rating 330000\$59.95
- RNH551 Pro Comp 4"X30' strap, 40,000 lb. rating 430000\$74.95

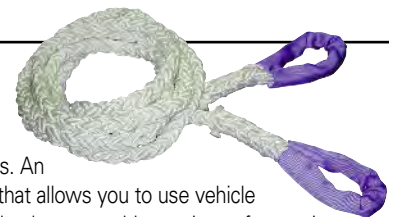


FACTORY AUTHORIZED DEALER

Kinetic Recovery Rope - The Ultimate in Recovery Tools

Stronger and smoother than straps. An extremely effective recovery tool that allows you to use vehicle momentum without the sudden shock you would experience from using a chain. Requires securely fastened recovery hitches for safe use.

KRR001 Kinetic Recovery Rope.....\$153.50





Mud Flap Kits

Protect or replace fit Genuine Land Rover Parts Mud Flap kits. Supplied with mounting brackets.

Front Pair

RNF252 Defender 90, 110\$ 114.95

Rear Pair with Land Rover Logo

RNB704 Series 88,109 Reg\$ 58.19

RNK015 Defender 90 NAS\$ 144.56

RNK014 Defender 110 All\$ 71.95



Rubber Floor Mats Defender 90, 110

Genuine Land Rover Parts black rubber mats are the best. Passenger side has extra material templates for cutting to fit. Raised perimeter and deep tread trap a surprising amount of mud and water. Hose down to clean.

RNI067 Defender 90/110 Front Mats\$ 119.95

RNI070 Defender 110 NAS Middle Footwell\$ 92.95

RNF468 Defender 90 Rear Load Space Mat, Soft Top\$ 176.87

RNI061 Defender 90 Rear Load Space Mat, Station Wagon\$ 227.95

RNB792 Defender 110 NAS Station Wagon, Rear Mat\$ 124.80

**For additional floor mat information see pg 45 for Series and pg 48 for Defender*

Tire Covers & Cargo Covers

Cover your spare tire from the elements with our Tire Cover or keep your recovery gear organized and handy with our innovative Cargo Cover. The Cargo Cover looks like a regular tire cover when zipped but holds lots of gear inside! Designed with three huge storage pockets under the zippered flap to allow easy access to your recovery gear when you need it the most. Save yourself the time and hassle of having to open your rear door just to get your tow strap. Constructed of thick, durable black vinyl with elastic back to ensure a snug fit. Choose the Land Rover logo or our Safari theme shown. Standard tire sizes: 205/80x16", 235/70x16", 255/75x16", and 255/55x18". Large tire sizes: 245/75x16", 750x16", 235/85x16" and 265/75x16". 265/75x16".



Cargo Cover

Tire Covers

A) Land Rover Logo

RNE387 Tire Cover, standard\$ 99.95

RNE386 Tire Cover, large\$ 109.95

B) Land Rover 88" Series on Safari

RNTCSA Tire Cover, standard\$ 99.95

RNTCSB Tire Cover, large\$ 109.95

C) Land Rover Elephant

RNTCEA Tire Cover, standard\$ 99.95

RNTCEB Tire Cover, large\$ 109.95

D) Land Rover Rhino

RNTCRA Tire Cover, standard\$ 99.95

RNTCRB Tire Cover, large\$ 109.95

Cargo Covers

A) Land Rover Logo Cargo Cover

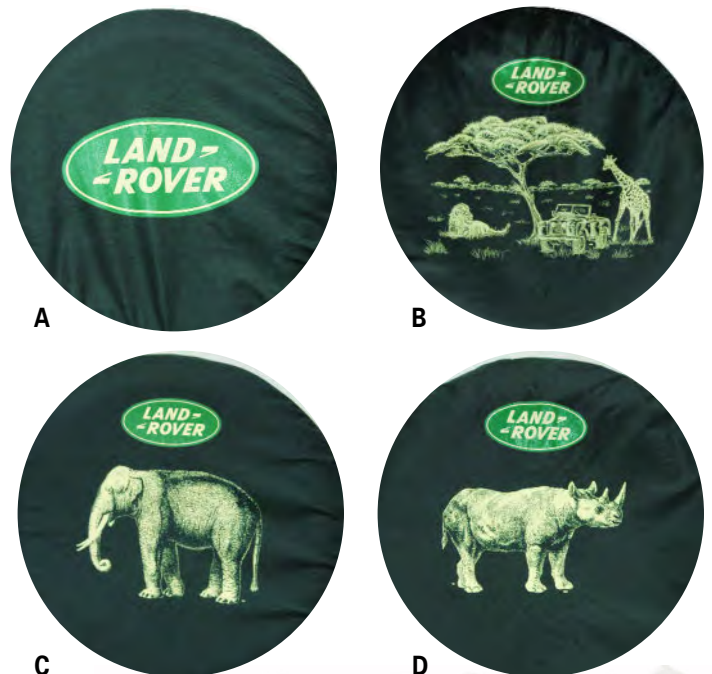
RNCLLRA Cargo Cover, standard\$ 124.95

RNCLLRB Cargo Cover, large\$ 129.95

B) Land Rover 88" Series on Safari Cargo Cover

RNCCSA Cargo Cover, standard\$ 124.95

RNCCSB Cargo Cover, large\$ 129.95



A

B

C

D

**Servicing & Expedition Tools
Built to Take It All**



Heavy Duty Lug Wrenches

- LUG15/16 Early Series IIAs with 15/16" lugnuts \$ 17.19
- LUG1116 Late Series IIA, III, Defender 90, 110 with 1 1/16" lugnuts \$ 17.95



**For Factory Style
Wiring Connections**

- RNT0085 Electrical Bullet End Crimping Tool.....\$ 69.95

**Clutch
Alignment Tool**



- TLS33 Clutch Alignment Tool Series II, IIA, III.....\$ 5.19
- TLS33D Clutch Alignment Tool Defender 90, 110, V8 only\$ 12.95



**Special Service
Tools Series II, IIA, III
& Defender 90, 110**

- A) RNT0004 Steel bar for tools.....\$ 5.79
- B) RNT0002 Transmission main shaft nut tool for Series II, IIA, III\$ 41.49
- C) RNF406 The right tool for removing and refitting the special nuts on your Land Rover's hub bearings.....\$ 15.45
- D) RNT0003 Oil drain plug tool for slotted type drain plugs.....\$ 17.49



BS/Whitworth Socket & Wrench Sets

- RNF437 Britool Socket Set, 6 piece 3/8" drive; 3/16, 1/4, 5/16, 3/8, 7/16, 1/2 sizes, Made in UK.....\$ 59.95
- RNF436 Britool Wrench Set; 7/16, 5/16, 1/4, 3/16 sizes, Made in UK.....\$ 82.95

**Hand Crank / Starting Handle
for all Series II, IIA, III
4 cylinder and 6 cylinder**

- PLA951 Series II, IIA & III\$ 24.95



Tool Roll - Perfect for any vehicle!

Heavy duty canvas duck material with 25 pockets to carry a variety of tools, and two pull straps to secure roll when stowed. 14 1/4" x 27" flat size.

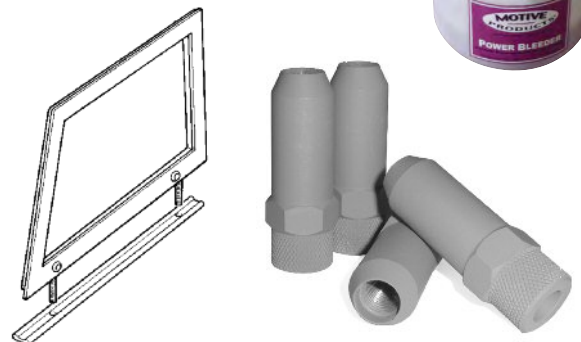
DOES NOT INCLUDE TOOLS SHOWN.

- RNTR02 Rovers North Tool Roll\$ 29.95

**One man operation for
bleeding brakes**

Power Brake Bleeder

- RNT0007 Power Brake Bleeder\$ 47.95



**Make Door Top Removal &
Installation Fast!**

Take Door Tops Off Without A Tool

- KINGFAST2 Steel Defender Speednut 10mm for door tops/set of 4..\$ 49.95
- KINGFAST1 Steel Series Speednut 7/16" for door tops/set of 4.....\$ 49.95



*New Improved
Spout for fuel
can RNF245*

*Water
Container
RNF247*

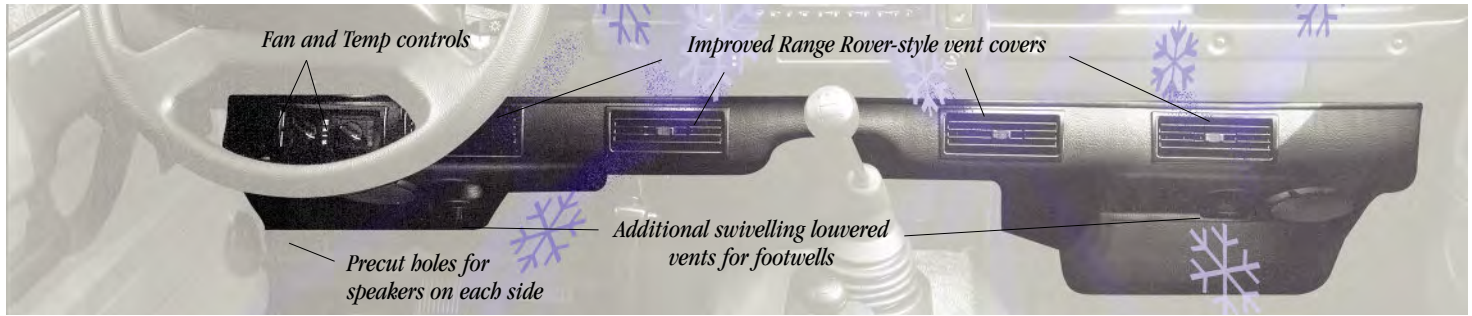
*Fuel Can
RNF246*

**Authentic British Army five gallon
containers with built-in vent for easy
pouring with leak-proof lids.**

Designed for extreme conditions. Out perform domestic containers.

- RNF246 Fuel Can, steel, matte green\$ 39.95
- RNF247 Water Container, ABS, matte black.....\$ 29.00
- RNF245 Spout for fueling.....\$ 16.95
- RNF244 Replacement Seal for Fuel Can Lid.....\$ 4.55

ACCESSORIES



Rovers North Air Conditioning Kits for Defender

RNAC39	Defender 90 NAS V8, 3.9 litre	\$ 2950.00
RNAC40	Defender 90 NAS V8, 4.0 litre	\$ 2995.00
RNAC200	Defender 90/110 200 Tdi, 2.5 litre	\$ 2995.00
RNAC300	Defender 90/110 300 Tdi, 2.5 litre	\$ 2795.00
RNAC500	Defender 90/110 Td5, 2.5 litre	\$ 2795.00



"First in Synthetics" 100% Synthetic Advanced Lubricants



Amsoil's superior performance provides up to four times the protection of conventional and other synthetic oils. Formulated for use in extreme hot or cold temperatures. Amsoil offers the most advanced fuel efficient synthetic lubricants on the market. Increase power, fuel mileage and virtually eliminate wear in your Land Rover.

RNC845	10w-40 Engine Oil, 100% synthetic ..quart	\$ 6.79
RNC811	75w-90 Gear Oil, 100% synthetic.....quart	\$ 8.75
RNC812	75w-90 Gear Oil, 100% synthetic.....gallon	\$ 33.59
ATF	ATF Trans and PS Oil, 100% synthetic..quart	\$ 8.50
API	Fuel Performance Additive for petrol engines (treats 160 gal)	\$ 7.95
ADC16	Diesel All Season Performance Fuel Additive (treats 100 gal)	\$ 6.59
GLC10	Multi-Purpose Synthetic Grease	\$ 4.99
RNF263	Amsoil Performance Oil Filter, Defender 90, 110 V8	\$ 14.25

K&N Performance Air Filter-Defender 90, 110

The K&N air filter for Defender 90s and 110s replaces the factory paper air filter element with a cleanable fiber filter. Unique design uses premium quality oiled cotton gauze sandwiched between layers of wire screen, allowing for maximum air flow and filtration. Simply run the filter under tap water and re-spray with the K&N oil supplied in the service kit.

RNF141	Defender 90, 110 K&N filter	\$ 39.95
RNF145	Service Kit	\$ 12.75
RNH362	Defender 200 Tdi	\$ 139.00
RNH361	Defender 300 Tdi	\$ 129.00

Genuine Land Rover Air Filters

RNF950	NAS 90,110 V8 Genuine	\$ 10.49
RNH382	200 Tdi Diesel Genuine	\$ 25.95
RNH383	300 Tdi Diesel Genuine	\$ 38.49
RNF147	Td5 Diesel Genuine	\$ 17.25

Cool Down The Summer!

Update your Defender with the latest R134A Air Conditioning system as supplied on 2004 Defenders. Our exclusive Air Conditioning Kit for Defenders incorporates many improved components and features, including better ventilation and blower capacity for a faster, colder air. Superior Range Rover-style vent covers and swivelling louvered vents for footwells deliver cold air where you need it the most. Stronger switch gear and redesigned sleeker one-piece fascia hold up to the elements. Includes; Lower dash fascia unit, blowers, compressor, lines, hoses, fittings, pulley, tensioner, belt, evaporator, condenser and fan unit, receiver-drier, all hardware and fitting instructions.



Magic Clay System

This unique clay system will change the way you wash your car! Designed to remove paint overspray, bugs, surface rust and oxidation, industrial emissions, tree sap, and just about anything else you find on your car, the Magic Clay System is safe and easy to use and eliminates the need for expensive and hazardous solvents and compounds. The system consists of a Clay Bar and Moisturizer. After washing your car, spray on a thin film of Moisturizer. Use the Clay Bar to rub down the area and pick up the dirt, and then finish by wiping with a clean cloth.



RNW5118K	Introductory Magic Clay System (Includes one Clay Bar, one liter of Moisturizer, and application spray bottle)	\$ 39.95
RNW5019	Magic Clay Bar (one bar - approx. 50 applications)	\$ 27.50
RNW5020	Magic Clay Moisturizer (one liter)	\$ 14.95

Protect Your Land Rover From Corrosion With Waxoyl

Waxoyl Professional Products

Made in Switzerland to meet the tough European standards, Waxoyl products are now available through Rovers North in convenient DIY large 500ml aerosol cans. Perfect for your underbody, chassis and interior body cavities as well.



RNW5004	Waxoyl Professional 120-4 Rust Inhibitor Protection 500ml, interior body cavity & chassis	\$ 15.95
*RNW5006	Waxoyl Professional Hardwax Underbody Protection 500ml, exterior chassis & underside	\$ 16.95
*RNW5009	Waxoyl Professional Cream Wax - Pure Carnauba 0.5 liter - exterior paint finish & protection	\$ 23.95
RNW5010	Waxoyl Professional 100+ Paint Sealant Sponge This easy to use high polymer formula sponge is designed to shield your paint finish against fading, oxidation and industrial fall-out. One application stands up to over 100 car washes	\$ 14.95

*SAVE 10% on cases of 12 - please inquire!

Engine					
Amsoil lubricants	104	Radiator	20	Caliper seals	35
Bearings, camshaft	8	Radiator cap	20	Drum screws	33
Bearings, main	9	Radiator hoses	20	Flex hoses	35
Bearings, rod	9	Temperature sender	21	Hydraulic junctions	35
Block gasket set	12	Temperature fan switch	21	Master cylinders	33
Camshaft	8	Thermostats	21	Master cylinder rebuild kits	33
Connecting rod	9	Thermostat housing	21	Pedal return springs	34
Crankshaft	9	Thermostat gaskets	21	Servo unit	33
Crankshaft oil seals	9	Water pump	21	Servo rebuild kit	33
Cylinder head	8	Heater		Transmission brake assembly	34
Cylinder head gasket set	12	Defroster hose	22	Transmission brake relay	34
Cylinder head overhaul kit	13	Foam heater intake seal	22	Wheel cylinders	33
Engine block overhaul kit	13	Heater blower, Defender	23	Wheel cylinder rebuild kit	33
Engine mounts	8	Heater blower, Series	22	Drivetrain	
Flywheel housing O-ring	13	Heater controls	23	Bottom pin components, Defender	38
Freeze plugs	10	Heater core, Defender	23	Bottom pin components, Series	37
Gaskets, engine	12-13	Heater core, Series	22	Breather, axle housing	36
Head gaskets	12	Heater intake grill	22	Carrier housing	36
Hylomar gasket sealer	12	Heater matrix, Defender	23	Crown wheel and pinion gear set	36
Main bearing set	9	Heater pipes	23	Differential assemblies	36
Manifold gaskets	12	Mount Mansfield heater	22	Drive flange, Series	37
Oil filler cap	11	Speed resistor	23	Drive member, Defender	38
Oil filters	11	Valve, heater control	23	Drive shaft, front	39
Oil pump	10	Clutch		Drive shaft, rear	39
Oil sump gaskets	12	Clutch alignment tool	24	Drive shaft, universal joints	39
Piston assembly	9	Clutch disc	24	Garter kit	37
Piston rings	9	Cross shaft pin	25	Half axle assembly, Defender	38
Push rods	8	Flywheel	24	Half axle, front, Series	39
Rocker shaft	8	Flywheel bushing	24	Half axle, rear	39
Rod bolt	9	Hydraulic fluid	25	Halfshaft universal joint	39
Rod bushing	9	Hydraulic lines	24	Hub assembly, Defender	38
Rod nut	9	Master cylinder	24	Hub assembly, Series	37
Tappet assembly	8	Master cylinder rebuild kit	24	Hub bearings, Defender	38
Thermostat gaskets	13	Master cylinder rebuild kit	24	Hub bearings, Series	38
Thrust washers	9	Pedal return spring	24	Hub cap, Defender	37
Timing chain	10	Pressure plate	24	Hub cap, Series	37
Timing components	10	Reservoir	24	Hub seals, Defender	38
Timing pointer	9	Slave cylinder	25	Hub seals, Series	37
Valve cover cap	11	Slave cylinder rebuild kit	25	Hub seal race	37
Valve cover gasket	12	Throw-out bearing	24	Hub seal race	37
Valves, exhaust	8	Transmission		Ralco bushing, Series	37
Valves, guides	8	First gear, layshaft, IIA	28	Remote breather, axle housing	36
Valves, guide seals	8	First gear, mainshaft, IIIA	27	Stub shaft, Series	39
Valves, intake	8	First gear, mainshaft, III	28	Swivel ball, Defender	38
Valves, seals	8	Front output shaft, I/III	26 & 28	Swivel ball, Series	37
Valve seats	8	Gearbox seals	28	Swivel pin housing, Defender	38
Valve springs	8	High range lever	29	Swivel pin housing, Series	37
Water pump gaskets	13	High ratio transfer box	29	Top pin components, Defender	38
Fuel		Idler shaft, III	28	Top pin components, Series	37
Air filters	15	Intermediate shaft, IIA	26	Top pin conversion kit	37
Air intake hose	14	Layshaft	28	Suspension	
Auxiliary fuel valve	15	Mainshaft	28	Axle bump stops	41
Carburetors	14	Shift lever parts	29	Bottom plate	40
Carburetor gaskets	14	Selector shaft parts	29	Bushings, Defender	41
Carburetor rebuild kits	14	Third gear, IIA	27	Bushings, Series	41
Choke cables	14	Third gear, III	28	Bushings, shock absorbers	41
Draw tubes	16	Transfer box	28	Check straps	41
Filler hose	16	Transmission mount	28	Lug nuts	40
Fuel caps	16	Transmission Gasket Set	28	Road springs, Defender	41
Fuel filters	15	Transmission	28	Road springs, Series	40
Fuel injectors, diesel	14	Transmission Unit	28	Shackles	40
Fuel injectors, petrol	15	Steering		Shackle hardware	41
Fuel lines	14	Drag link, Defender	32	Shock absorbers	40
Fuel pump	15	Drag link, Series	31	Shock tower	41
Fuel sender	16	Drag link tie rod, Defender	32	U-bolts	40
Fuel tank cradle	17	Drop arm ball joint, Defender	32	Road wheels	40
Fuel tank, Series	16	Horn button	30	Chassis	
Fuel tank, Defender	17	Steering box, Defender	32	Air cleaner mounting	42
Fuel temperature sensor	15	Steering box, Series	30	Battery components	42
Glow plug	14	Steering clamp, Defender	32	Body support outrigger	42
Vent hose	16	Steering clamp, Series	30	Bulkhead outrigger	42
Exhaust		Steering column	30	Chassis, Defender	42
Downpipe assembly	19	Steering relay	31	Chassis, Series	42
Exhaust hangers	19	Steering stabilizer, Defender	32	Door post components	43
Exhaust pipes	19	Steering stabilizer, Series	31	Door frame repair kit	43
Exhaust manifold	18	Steering wheel	30	Footwell, replacement assembly	43
Exhaust manifold fixing kit	18	Tie rod ends, Series	31	Footwell, top	43
Heatshield	18	Track rod, Defender	32	Front horn assembly	42
Intake manifold	18	Track rod, Series	31	Front horn repair kit	42
Intermediate pipe	19	Track rod ends, Defender	32	Fuel tank outrigger	42
Intermediate pipe hanger	19	Brakes		Kick panel	43
Manifold gaskets	18	Adjuster kit	33	Rear frame member	42
Rubber mountings	19	Backing plate	33	Rear frame mounting kit	42
Tailpipe assembly	19	Brake disc rotor	35	Spring perch	42
Cooling		Brake drums	33	Toe board	42
Bleed-off hoses	20	Brake fluid, Girling	34	Tool locker, seat box	43
Engine heaters	20	Brake fluid switch, hydraulic	35	Transmission cross member	42
Fan belt for water pump	21	Brake lines	35	Body parts	
Fan shroud	20	Brake grease	33	Adjustable seat track, Series	46
Fan switch	21	Brake pads	35	Bonnet	52
Hose clamps	20	Brake shoes	33	Bonnet components	51-52
Overflow tank	20	Brake shoe return springs	34	Canvas top	65
Overflow tank cap	20	Caliper assembly	35	Canvas top hardware	64
		Caliper pistons	35	Center dash, III	81
				Cubby Box	49
				Door assembly, front	54
				Door assembly, middle	56
				Door assembly, rear	59-60
				Door frame, middle	56
				Door hinges	54-55
				Door latches	55
				Door seals, front	54
				Door seals, middle	56
				Door seals, rear	61
				Door tops	54
				Door top components	53-54
				Floor board hardware	44
				Floor mats, County, Series	45
				Floor mats, Standard, Series	45
				Front bumper	50
				Front panel	51
				Grille	50
				Grommets	67
				Hammer rivets	67
				Headliner	62
				Hoop sets	64
				Instrument panel, III	81
				Interior trim pieces, Series	45
				Labels	69
				Lifting ring, front bumper	50
				Lower dash, III	81
				Mirrors	57
				Mud flaps, rear	68
				Name plates	69
				Overriders, front bumper	50
				Paint, aerosol touch-up	69
				Pedal pads	44
				Pick axe	67
				Pick axe bracket kit	67
				Plastic plugs	67
				Radiator panel	50
				Rear bench seat	46
				Rear jump seat, Defender	46
				Rear jump seat, Series	46
				Rear step	66
				Receiver hitch, Class III	67
				Roof components	62-63
				Roof vents	62
				Rubber plugs	67
				Seat belts	47
				Seat covers, Defender	49
				Seat cushions, Series	46
				Shovel	67
				Shovel bracket kit	67
				Side steps	66
				Sill panels	56
				Spare wheel carriers	52, 61
				Splash guard assemblies	51
				Tailgate	58
				Tailgate components	58
				Top dash, III	81
				Vent seal	51
				Window locks	55
				Window tracks, front	54
				Window tracks, middle	56
				Window tracks, roofside	62
				Windscreen	53
				Wing panel	51
				Electrics	
				Air conditioning vents	82
				Alternator	77
				Alternator belt	77
				Alternator components	77
				Brake light switches	77
				Bonnet release cable	82
				Charge lamp, Series	80
				Clock, Defender	82
				Coil	78
				Condensers	78
				Dash bulbs, Defender	82
				Dash bulbs, Series	81
				Dash switches, Series	76 & 80
				Directional lights front	72
				Directional wand, Defender	82
				Directional wand, Series	80-81
				Distributor	78
				Distributor cap	78
				Distributor components	78
				Distributor wires	78
				Electrical connectors	79
				Flasher unit	77
				Fuel gauge, Defender	82
				Fuse box cover, Defender	82
				Fuse box, Series	77
				Generator	77
				Generator belt	77
				Generator components	77
				Hazard switch, Defender	82
				Hazard switch, Series	77
				Headlamps	71
				Headlamp switch, Defender	82
				Horn	77
				Ignition module	78
				Ignition switch, Series	80
				Key blank, Defender	82
				Key blank, Series	80, 81
				Pedal pads, Defender	82
				Points	78
				Relays, Defender	77
				Reverse lamps	76
				Rotors	78
				Sender units	79
				Side lights	71
				Side marker lights	75
				Solenoids	79
				Spark plugs	78
				Speedometer, Defender	82
				Speedometer, Series	81
				Speedometer cable, Defender	82
				Speedometer cable, Series	80
				Starters	79
				Stop lights	74
				Tail lights	74
				Transducer	82
				Vacuum advance	78
				Voltage regulator	77
				Voltage stabilizer	77
				Washer jets	76
				Washer motors	76
				Washer reservoir	77
				Water temp gauge, Defender	82
				Wiper arms	76
				Wiper blades	76
				Wiper motors	76
				Wiper switches, Series	76, 80
				Wiper/washer switch, Defender	76
				Wiring harnesses	79
				Accessories	
				Access ladder, Rovers North	91
				Air conditioning kit	104
				Air filter, K&N	11, 104
				Books	87
				Brush bar	97-98
				Class III rear receiver	100
				Clothing	85
				Differential guard	96
				Exhaust, NRP Performance	19
				Fuel cans	103
				Floor mats, rubber	102
				Heavy-Duty road springs	88-90
				Jack-All 8000 and jack accessories	101
				Kinetic recovery rope	101

Land Rover Owner's Guide

1959-85 Series II, IIA, III & 1983-04 Defender 90, 110, 130



1319 Vermont Route 128
Westford, Vermont 05494 USA

Fax: (802) 879-9152
Orders: (802) 879-0032

Serving America's Enthusiasts Since 1979